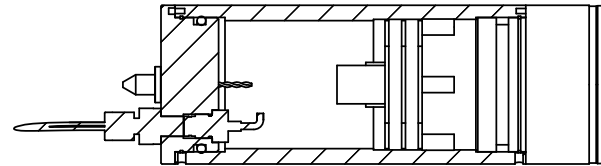
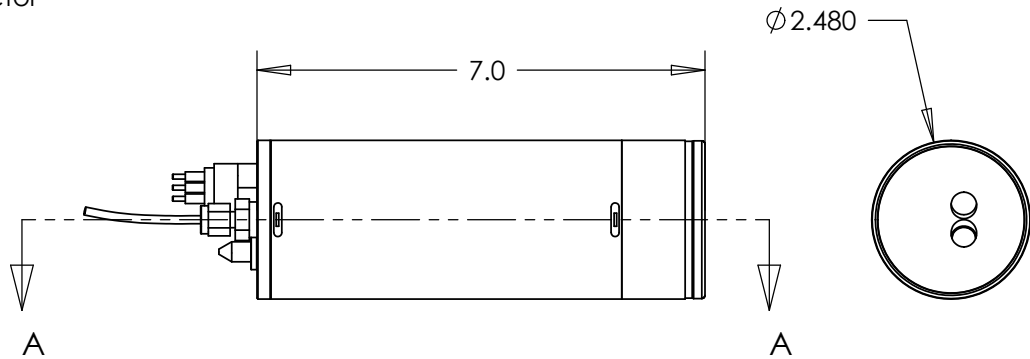
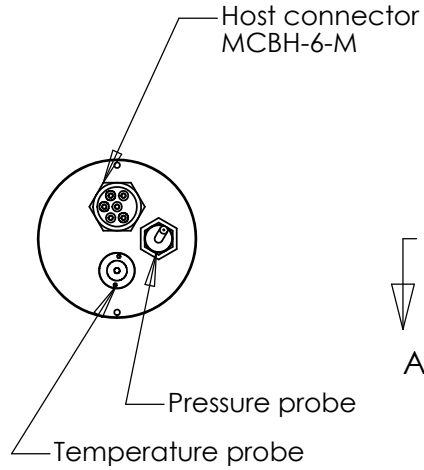
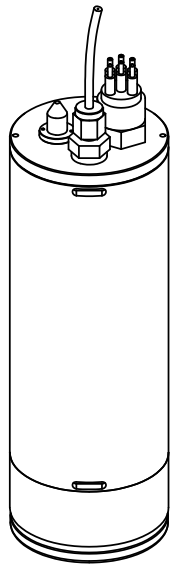


WET Labs Inc.

620 Applegate St.
 Philomath, OR 97370
 Ph: 541-929-5650
 Fax: 541-929-5277

REVISIONS

REV	DATE	DESCRIPTION	BY
1	11/12/04	REDUCED CAN LENGTH	ARD



SECTION A-A

NOTES

1. APPLIES TO ECO FL-TP AND SIMILAR.
2. SUBJECT TO CHANGE WITHOUT NOTICE.

TOLERANCES:

X.X +/- 0.05
 X.XX +/- 0.01
 X.XXX/X.XXXX +/- 0.005

ECO WITH TEMPERATURE AND PRESSURE PROBES MOUNTING DIMENSIONS

SIZE A	ENGR. A.R. DERR	DWG NO. 220272	REV 1
SCALE 1:3	DATE (1.0) 10/11/2004		SHEET 1 OF 1