



# UV-SVP

## Sound Velocity, Temperature, Pressure, Salinity & Density for an Underwater Vehicle

The UV-SVP offers a form-factor designed for Underwater Vehicles where space is at a premium. Incorporating Valeport's class leading time of flight sound speed sensor, a PRT temperature sensor and a 0.01% pressure sensor in a compact package weighing just 750 grams (in air), the lightweight titanium housing gives a depth rating of 3000m.

A wide range (9-30V DC) isolated power supply and RS232/RS485 communications complete the package.

## DATA SHEET

### Product Details



MULTI-PARAMETER  
CTD



SOUND  
SPEED



DASH  
FORMULA



VALEPORT TERMINAL  
SOFTWARE

Valeport Limited  
St. Peter's Quay, Totnes,  
Devon TQ9 5EW United Kingdom

Telephone: +44 (0) 1803 869292  
Email: sales@valeport.co.uk  
[www.valeport.co.uk](http://www.valeport.co.uk)



## Sensors

### Sound Velocity

Each sound velocity measurement is made using a single pulse of sound traveling over a known distance, so is independent of the inherent calculation errors present in all CTDs. Our unique digital signal processing technique virtually eliminates signal noise, and gives an almost instantaneous response; the digital measurement is also entirely linear, giving predictable performance under all conditions.

**Range** 1375 - 1900m/s

**Resolution** 0.001m/s

**Accuracy**  $\pm 0.020$ m/s

### Temperature

**Range**  $-5^{\circ}\text{C}$  -  $+35^{\circ}\text{C}$

**Resolution** 0.001 $^{\circ}\text{C}$

**Accuracy**  $\pm 0.01^{\circ}\text{C}$

### Pressure

**Range** 10, 20, 30, 50, 100, 200 & 300 Bar

**Resolution** 0.001% range

**Accuracy**  $\pm 0.01\%$  range

## Calculated Parameters and Accuracy

Calculations based on Valeport's proprietary DASH formula

**Salinity**  $\pm 0.05$  PSU

**Density**  $\pm 0.05$  kg/m<sup>3</sup>

## Data Output

RS232 & RS485 output, selected by command code. RS232 data may be taken directly into a PC over cables up to 200m long, whereas RS485 is suitable for longer cables (up to 1000m) and allows for multiple addressed units on a single cable.

**Sample rate** 30Hz

**Baud rate** 19200 - 115200

**Protocol** 8 data bits, 1 stop bit, No parity, No flow control

## Electrical

**Voltage** 8 - 30V DC Isolated

**Power** 0.35W

**Connector** SubConn MCBH6F

## Physical

**Depth Rating** 3000m

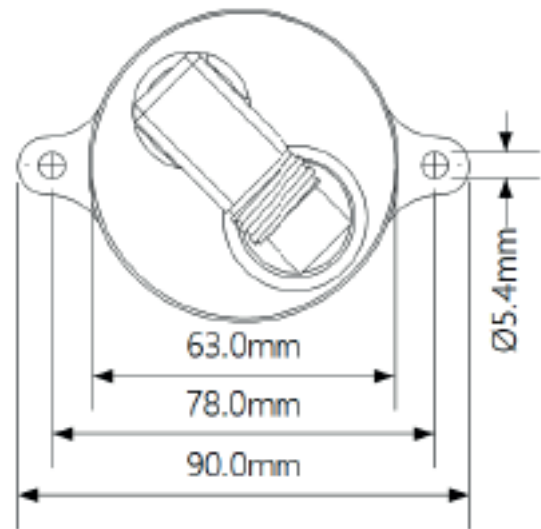
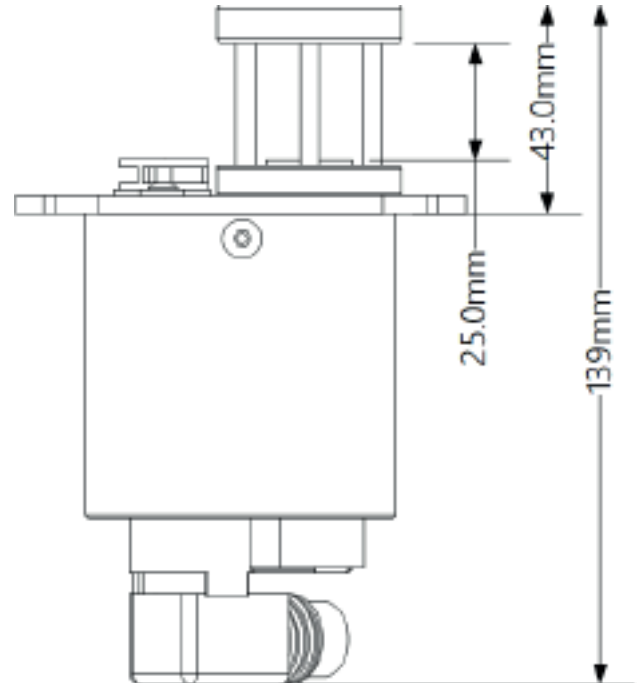
**Weight** 0.75 kg (in air)

**Housing & Bulkhead** Titanium

## Ordering

**06520549-XX** Supplied with  
· 0.5m interface cable  
· Operation manual and transit case

**Note** **XX** denotes pressure transducer range.  
Select from 10, 20, 30, 50, 100, 200 & 300 Bar



## Datasheet Reference: UV-SVP | April 2020

As part of our policy of continuing development, Valeport Ltd. reserve the right to alter at any time, without notice, all prices, specifications, designs and conditions of sale of all equipment - Valeport Ltd © 2020

