



# ultraSV OEM Sound Velocity Sensor

ultra-fast, ultra-compact, ultra-dependable. The next generation of sound velocity sensor.

Redesigned from the connector up, the ultraSV offers a truly smart and exchangeable sound velocity sensor without compromise.

Ideally suited to system integrators and OEM applications, the ultraSV is a truly exchangeable SV sensor with all critical electronics contained within the housing.

Each sound velocity measurement is made using a single pulse of sound travelling over a known distance, so is independent of the inherent calculation errors present in all CTDs. Our unique digital signal processing technique virtually eliminates signal noise, and gives almost instantaneous response; the digital measurement is also entirely linear, giving predictable performance under all conditions.

## DATA SHEET

### Product Details



**SOUND  
SPEED**



**VALEPORT TERMINAL  
SOFTWARE**

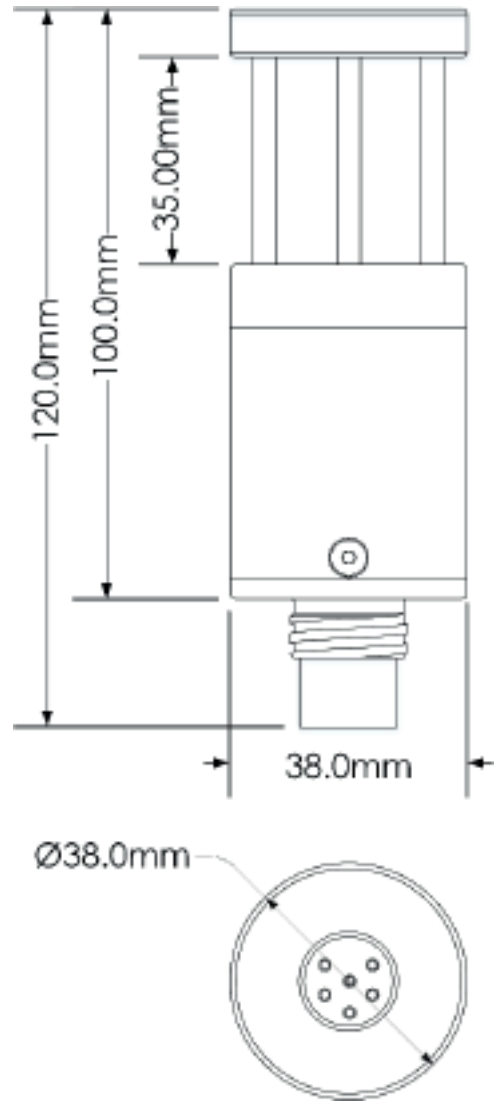
**Valeport Limited**  
St. Peter's Quay, Totnes,  
Devon TQ9 5EW United Kingdom

Telephone: +44 (0) 1803 869292  
Email: [sales@valeport.co.uk](mailto:sales@valeport.co.uk)  
[www.valeport.co.uk](http://www.valeport.co.uk)



Performance	
Range	1375 – 1900 m/s
Resolution	0.001 m/s
Accuracy	±0.020 m/s
Sample Duration	~30 µS @1500 m/s
Sample Rate	Up - 300 Hz
Electrical	
Voltage	5V DC regulated ±3%
Power	< 250mW
Connector	SubConn MCBH6F
Communications	
Output	RS485 \ TTL
Protocol	4800 - 230400 baud (8,1,N)
Format	Proprietary NMEA string
Physical	
Depth Rating	200m
Size	38mmØ x 120mm (including connector)
Weight	<0,3 kg in air
Housing & Bulkhead	Titanium
Transducer Window	Titanium
Sensor Legs	Carbon Composite
Reflector Plate	Titanium
Ordering	
ultraSV	06520550 -TTL- F (Female Connector) 06520550-TTL-M (Male Connector) 06520550-RS485

**Note** All systems supplied with a manual no cables are supplied.  
Contact Valeport for options



#### Datasheet Reference: ultraSV OEM Sound Velocity Sensor | April 2020

As part of our policy of continuing development, Valeport Ltd. reserve the right to alter at any time, without notice, all prices, specifications, designs and conditions of sale of all equipment - Valeport Ltd © 2020

