

DATE	SYM	REVISION RECORD	AUTH.	DR.	CK.
4/05	A	ADD 801572. * ASSY	CB	CB	

SLB PRINTED ON 10:10:20 13 APR 2005

PART NUMBER..... DESCRIPTION..... QPA

80675	SBE 5T #3WDG MOTOR/DRIVER, 7.4 OHM /41250	
20081	MOTOR, PUMP, 7.4 OHM	1.0000
23595	PITTMAN 3711B112-R1 SBE5T PUMP PCB MOUNT BLOCK /DWG 20624B	1.0000
30235	WASHER, WN-2, #2 NYLON	2.0000
30357	WASHER	
30357	MACH SCREW, 2-56 X 1/4 PH, SS	2.0000
30560	MACH SCREW, 2-56 X 9/16 FH, PHILIPS, SS	2.0000
80639	PUMP DRIVER, SURFACE MOUNT /DWG 40605C	1.0000

\*\*\*

SLB PRINTED ON 10:10:21 13 APR 2005

PART NUMBER..... DESCRIPTION..... QPA

80676	SBE 5T #5WDG MOTOR/DRIVER, 18.02 OHM /41250	
20080	MOTOR, PUMP, 18 OHM	1.0000
23595	PITTMAN 3711B113-R1 SBE5T PUMP PCB MOUNT BLOCK /DWG 20624B	1.0000
30235	WASHER, WN-2, #2 NYLON	2.0000
30357	WASHER	
30357	MACH SCREW, 2-56 X 1/4 PH, SS	2.0000
30560	MACH SCREW, 2-56 X 9/16 FH, PHILIPS, SS	2.0000
80639	PUMP DRIVER, SURFACE MOUNT /DWG 40605C	1.0000

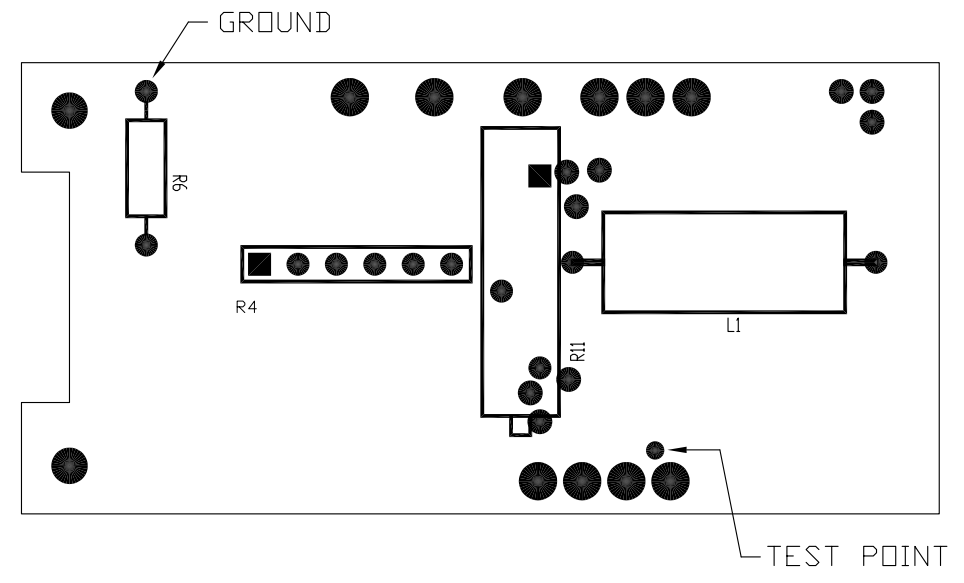
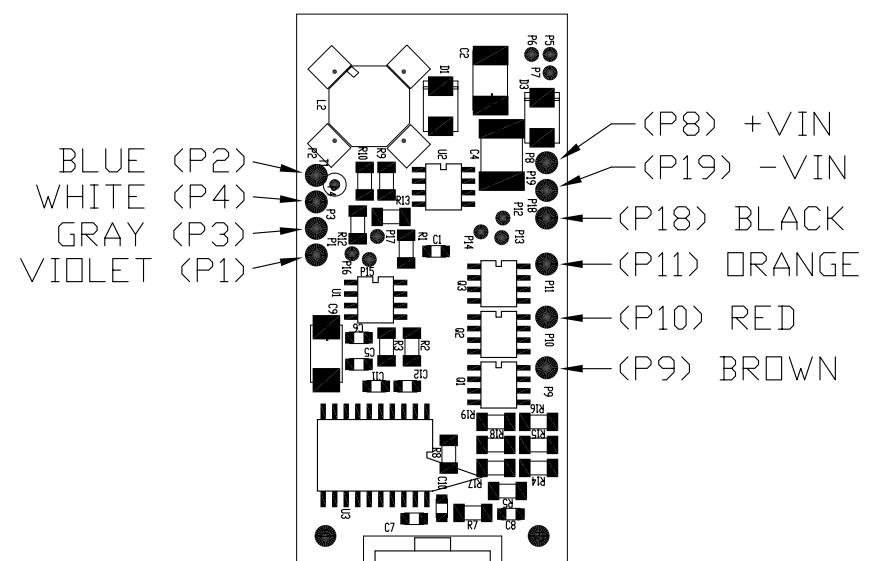
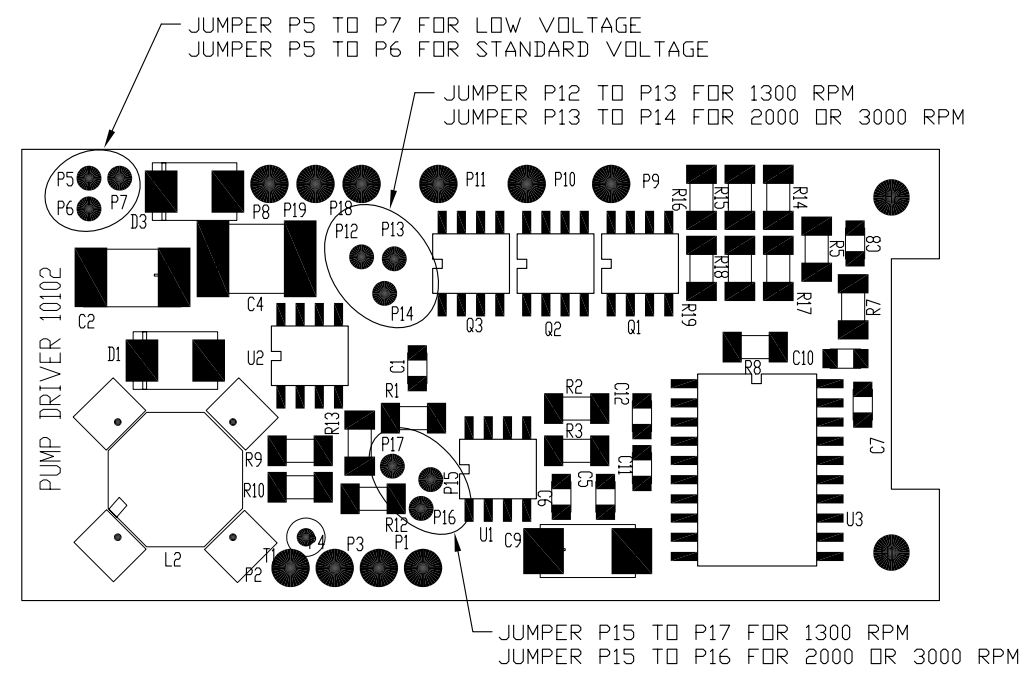
\*\*\*

PART NUMBER..... DESCRIPTION..... QPA

801572	SBE 5T #3WDG MOTOR/DRIVER, 3.55 OHM /41250	
20176	MOTOR, PUMP, 3.55 OHM	1.0000
23595	PITTMAN 3711B112-R2 SBE5T PUMP PCB MOUNT BLOCK /DWG 20624B	1.0000
30235	WASHER, WN-2, #2 NYLON	2.0000
30357	WASHER	
30357	MACH SCREW, 2-56 X 1/4 PH, SS	2.0000
30560	MACH SCREW, 2-56 X 9/16 FH, PHILIPS, SS	2.0000
80639	PUMP DRIVER, SURFACE MOUNT /DWG 40605C	1.0000

\*\*\*

FINISH GENERIC ASSEMBLY TO SPECIFIC ASSEMBLY BY INSTALLING VOLTAGE AND SPEED JUMPERS AS SHOWN ON THE CHART



SBE PN	DESCRIPTION	VOLTAGE	SPEED	SPEED
80675.2	#3 WINDING (7.4 OHM), STANDARD VOLTAGE, 2000 RPM	P5-P6	P13-P14	P15-P16
80675.2LV	#3 WINDING (7.4 OHM), LOW VOLTAGE, 2000 RPM	P5-P7	P13-P14	P15-P16
80675.3	#3 WINDING (7.4 OHM), STANDARD VOLTAGE, 3000 RPM	P5-P6	P13-P14	P15-P16
80676.1	#5 WINDING (18.02 OHM), STANDARD VOLTAGE, 1300 RPM	P5-P6	P12-P13	P15-P17
80676.1LV	#5 WINDING (18.02 OHM), LOW VOLTAGE, 1300 RPM	P5-P7	P12-P13	P15-P17
80676.2	#5 WINDING (18.02 OHM), STANDARD VOLTAGE, 2000 RPM	P5-P6	P13-P14	P15-P16
80676.2LV	#5 WINDING (18.02 OHM), LOW VOLTAGE, 2000 RPM	P5-P7	P13-P14	P15-P16
801572.2	#3 WINDING (3.55 OHM), STANDARD VOLTAGE, 2000 RPM	P5-P6	P13-P14	P15-P16
801572.2LV	#3 WINDING (3.55 OHM), LOW VOLTAGE, 2000 RPM	P5-P7	P13-P14	P15-P16
801572.3	#3 WINDING (3.55 OHM), STANDARD VOLTAGE, 3000 RPM	P5-P6	P13-P14	P15-P16

<b>SEA-BIRD ELECTRONICS, INC</b>			
PART NO. VARIOUS	BD SCALE -	DRWN BY DG	
SCHEM 31441B	PL SCALE 0.90	APPR BY	
TITLE			
SBE 5T MOTOR/DRIVER ASSEMBLY			
DATE 2/13/03	DWG NO. 41250	REV A	