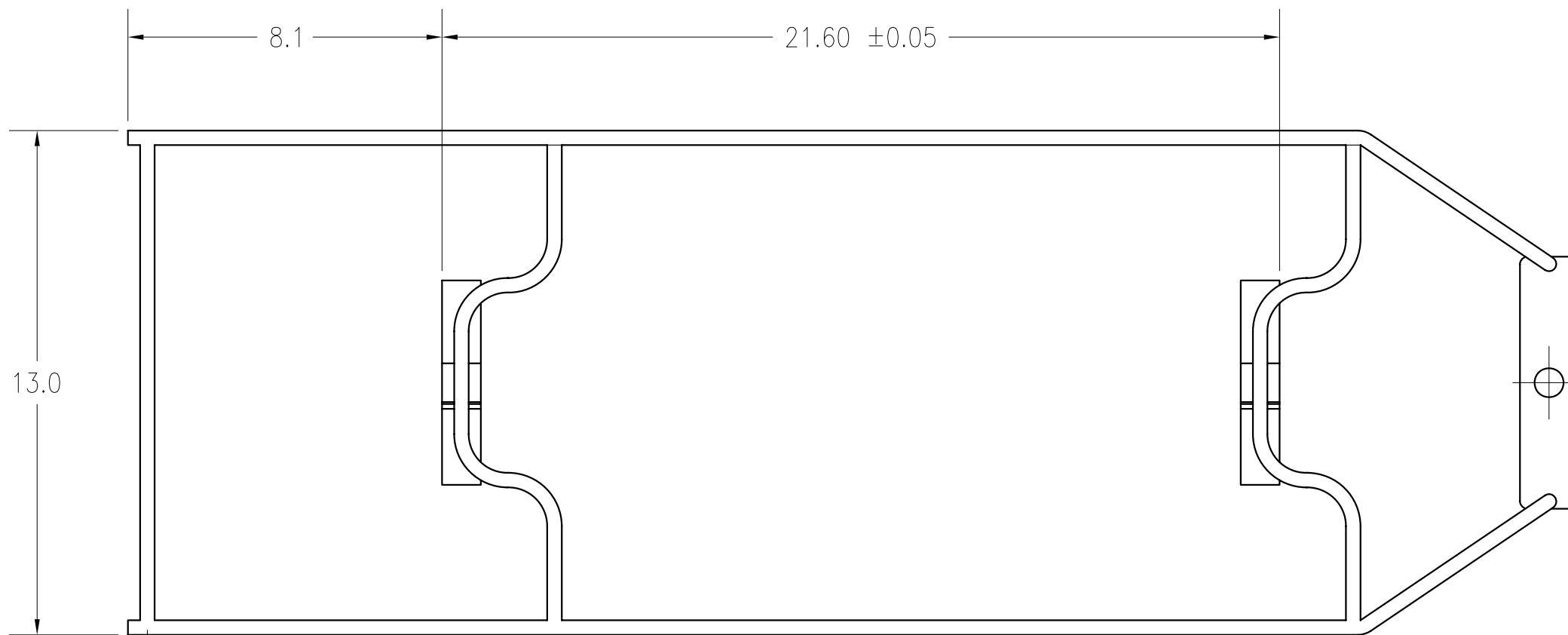
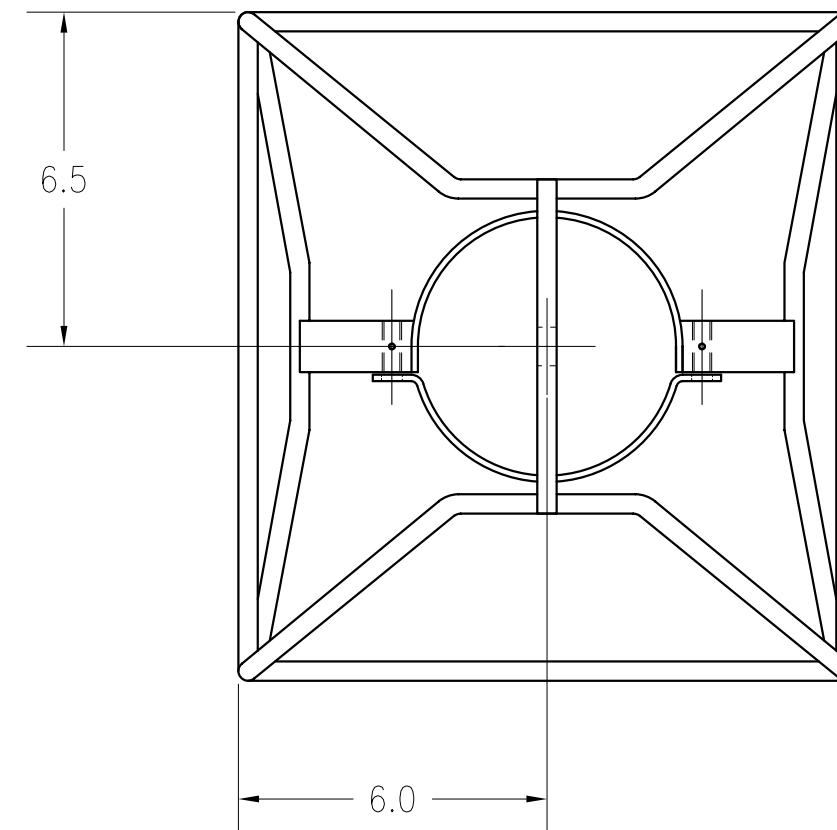
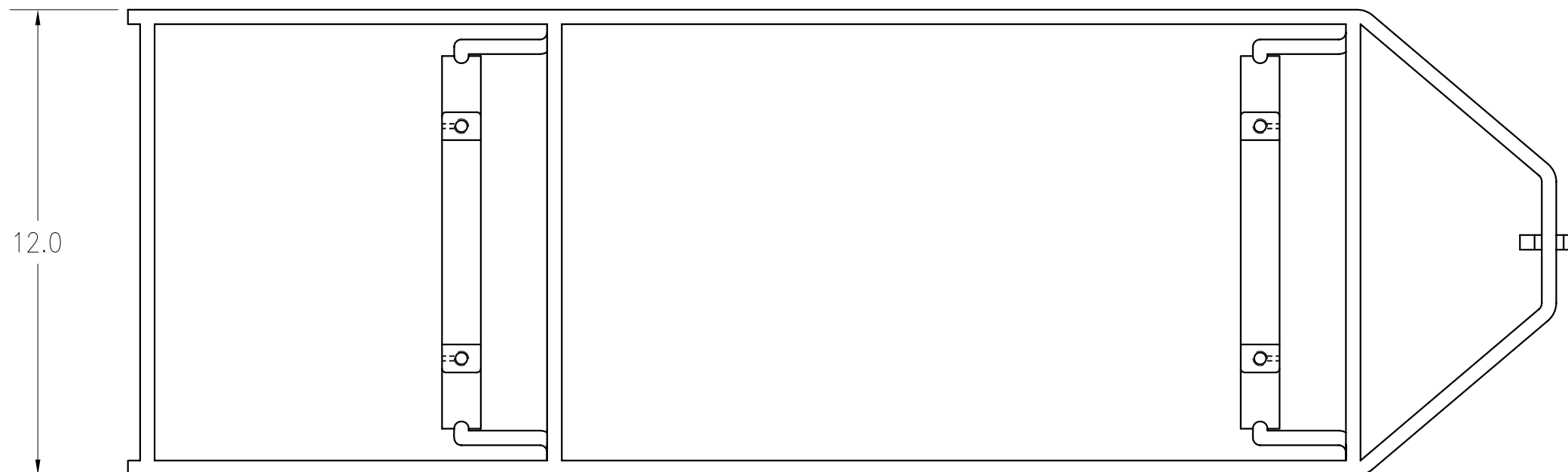
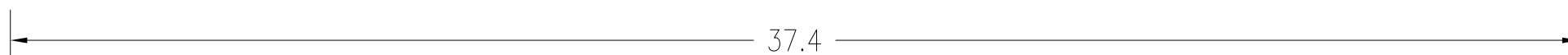


DATE	SYM	REVISION RECORD	AUTH.	DR.	CK.
4/99	B	REDRAWN ON AUTOCAD		CEG	
8/05	C	ADDED DETAIL B	CB	MT	
12/16/09	D	ADDED THREAD SIZE	CB	PC	



0.50

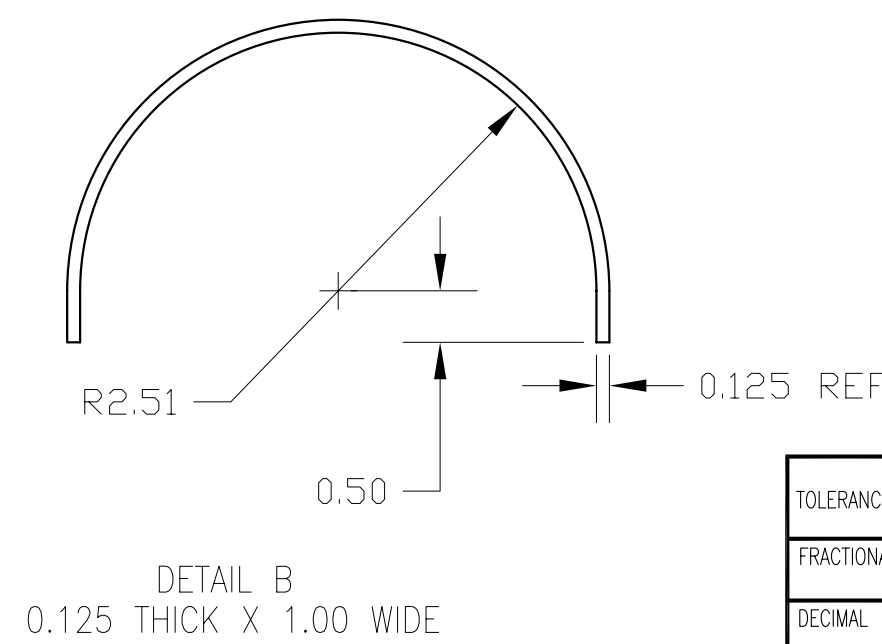
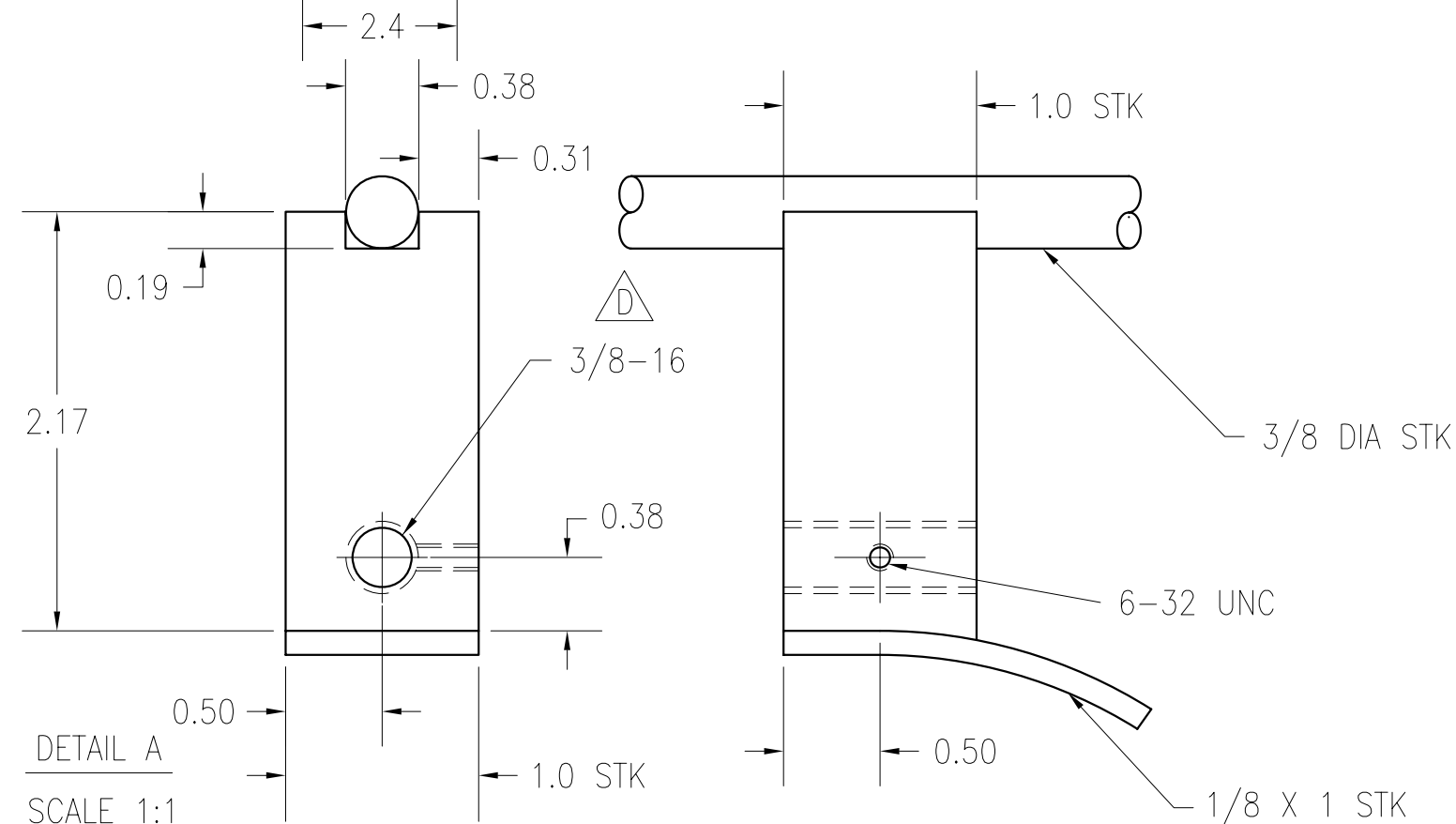
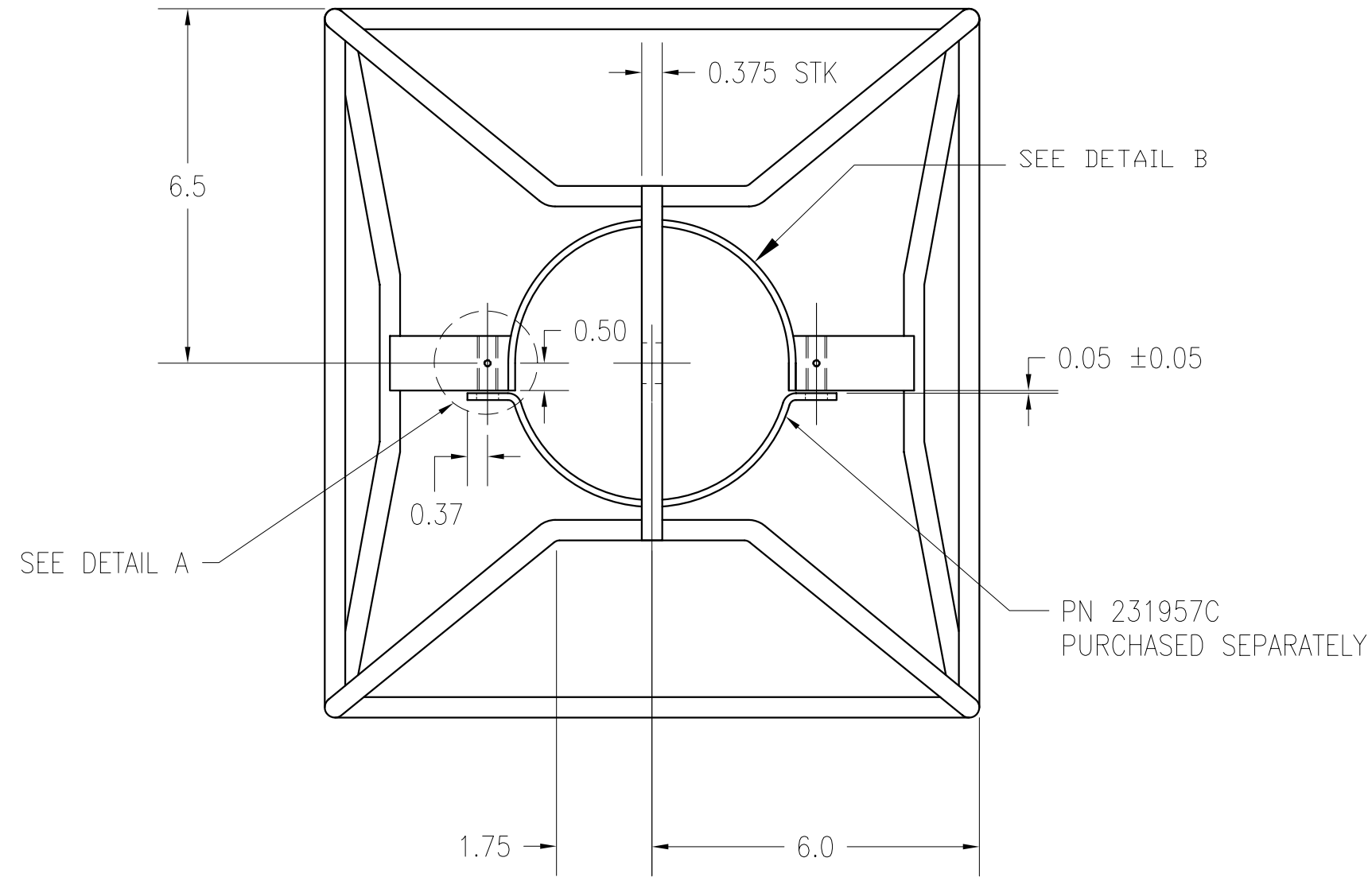
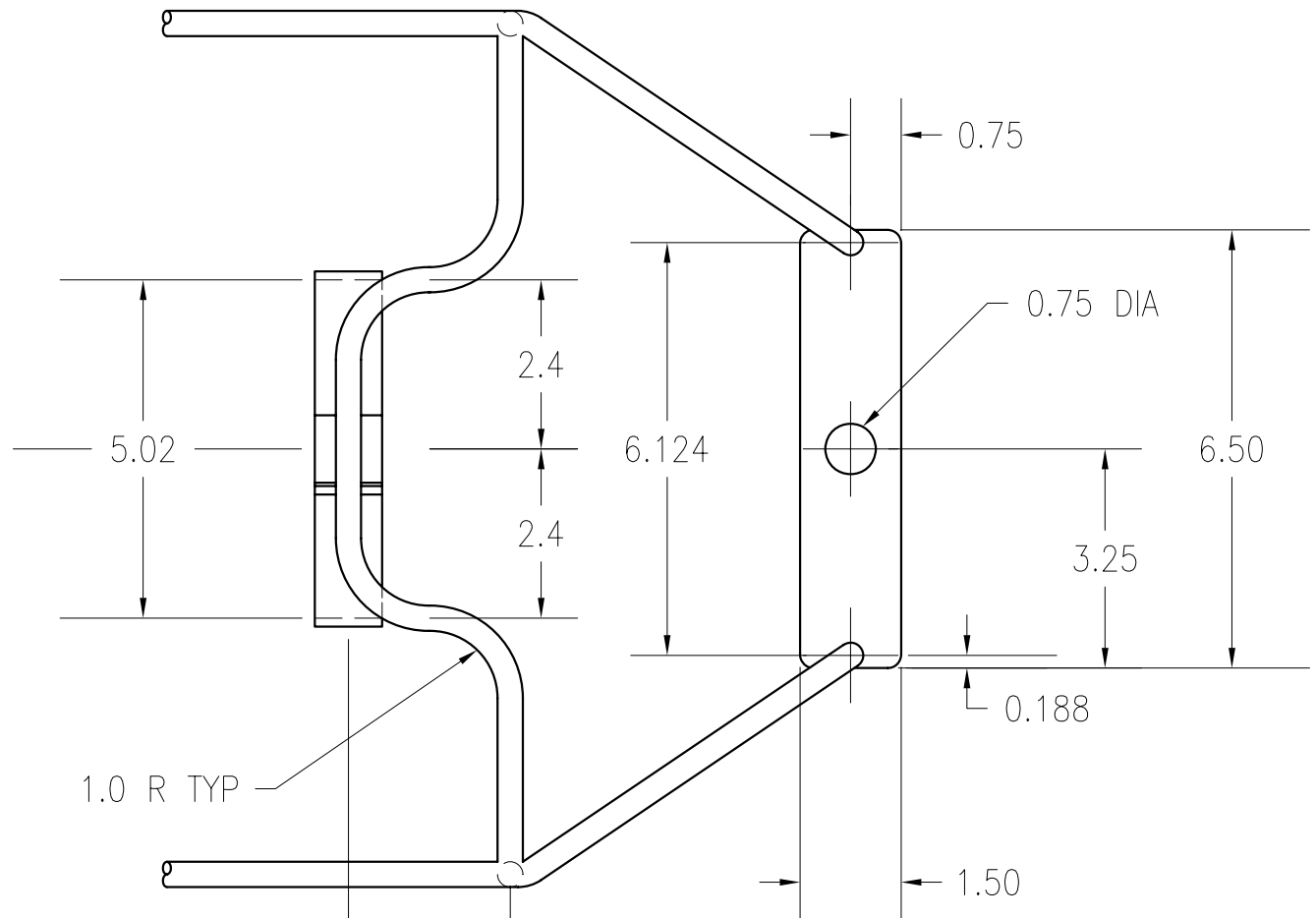


NOTES:

MATERIAL = 316 SS
WELD ALL SEAMS
TOLERANCES (UNLESS NOTED)
X.X = ±0.1
X.XX = ±0.02

TOLERANCES	SEA-BIRD ELECTRONICS, INC				
FRACTIONAL	P/N	23559	SCALE	1:4	DRAWN BY DW
DECIMAL	TITLE	CTD GUARD CAGE, 9plus ROSETTE			APPROVED BY
ANGULAR	DATE	DRAWING NUMBER	20287.1	REV	D
	7.16.92	SHEET 1 OF 2			

DATE	SYM	REVISION RECORD	AUTH.	DR.	CK.
8/05	C	ADDED DETAIL B	CB	MT	
12/16/09	D	ADDED THREAD SIZE	CB	PC	



NOTES:
 MATERIAL = 316 SS
 WELD ALL SEAMS
 TOLERANCES (UNLESS NOTED)
 X.X = ±0.1
 X.XX = ±0.02

DETAIL A
 SCALE 1:1

DETAIL B
 0.125 THICK X 1.00 WIDE

TOLERANCES	SEA-BIRD ELECTRONICS, INC				
FRACTIONAL	P/N	23559	SCALE	1:3	DRAWN BY DW
DECIMAL	TITLE	CTD GUARD CAGE, 9plus ROSETTE			APPROVED BY
ANGULAR	DATE	DRAWING NUMBER	20287.1	REV	D
	7.16.92	SHEET 2 OF 2			