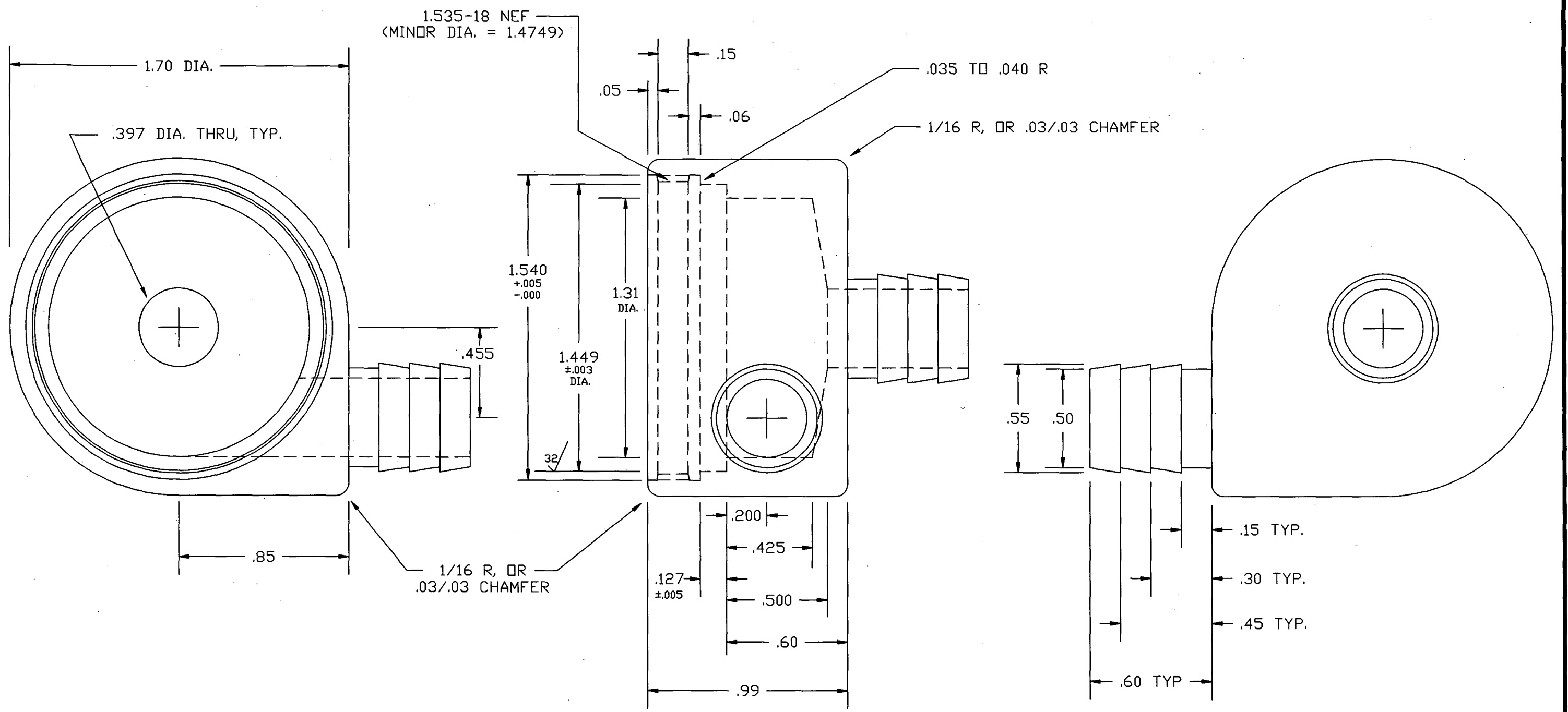


DATE	SYM	REVISION RECORD	AUTH.	DR.	CK.
3.4.93	B	SEE HISTORY			
7.22.98	C	REDRAWN ON AUTOCAD		GMB	



MATERIAL: CELCON

TOLERANCES	SEA-BIRD ELECTRONICS, INC			
FRACTIONAL	P/N 23593	SCALE 2:1	DRAWN BY AMP APPROVED BY	
DECIMAL .XX = ±.01 .XXX = ±.005	TITLE SBE 5T PUMP HEAD			
ANGULAR	DATE 12.10.92	DRAWING NUMBER 20622	REV C	