



SEA -BIRD ELECTRONICS, INC.

1808 136th Place N.E., Bellevue, Washington 98005 USA

Telephone: (425) 643-9866 Telex: 292915 SBEI UR

Fax: (425) 643-9954

email: seabird@seabird.com

SBE P/N 50157

DATE	SYM	REVISION RECORD	AUTH	DR	CHK

SBE32 to Sea-Tech Mount Kit

Kit Contents

SBE P/N	Manufacturer P/N	Primary SBE Application	QTY
231114	Fluorometer, Mount Ring	Main Sensor Clamps	2
231141	SBE 32 Fluorometer Mount Block	Plate to Extension Stand Interface Block	1
23714	SBE 32 Cage U-Bolt	Secure Cage to Mount Plate	2
23907	Modified Fluorometer Mount Plate	Main Sensor Mount Plate	1
30210	Nut, 3/8-16 nylon stop	Nut for U-Bolts	4
30257	Washer, 3/8 flat	Washer for U-Bolts	4
30377	Bolt, 1/4-20 x 1-1/4 Hex SS	Secure Mount Rings to Mount Plate	6

Kit Assembly Procedure

Drawing number 67003

A. Securing the Mount plate to the Cage

1. Fit U-Bolts around vertical bar on extension stand.
2. Slide 231141 Block over U-Bolts. Set Mount plate against Block, such that U-Bolts slip through the holes.
3. Secure U-Bolts with Washers 30257 and nuts 30210.

B. Installing the Fluorometer

1. Secure Mount Rings to mount plate with 30377 bolts. Bolts must not be overtightened.
2. Slide Fluorometer through Mount Rings and secure rings with remaining 2 30377 bolts.
3. Turn all bolts into plastic until flush, and then 1/4 to 1/2 turn farther to secure.

SBE Drawings: 67003
SBE32 to SeaTech Mount kit 24Place

Sea-Bird Electronics Procedure

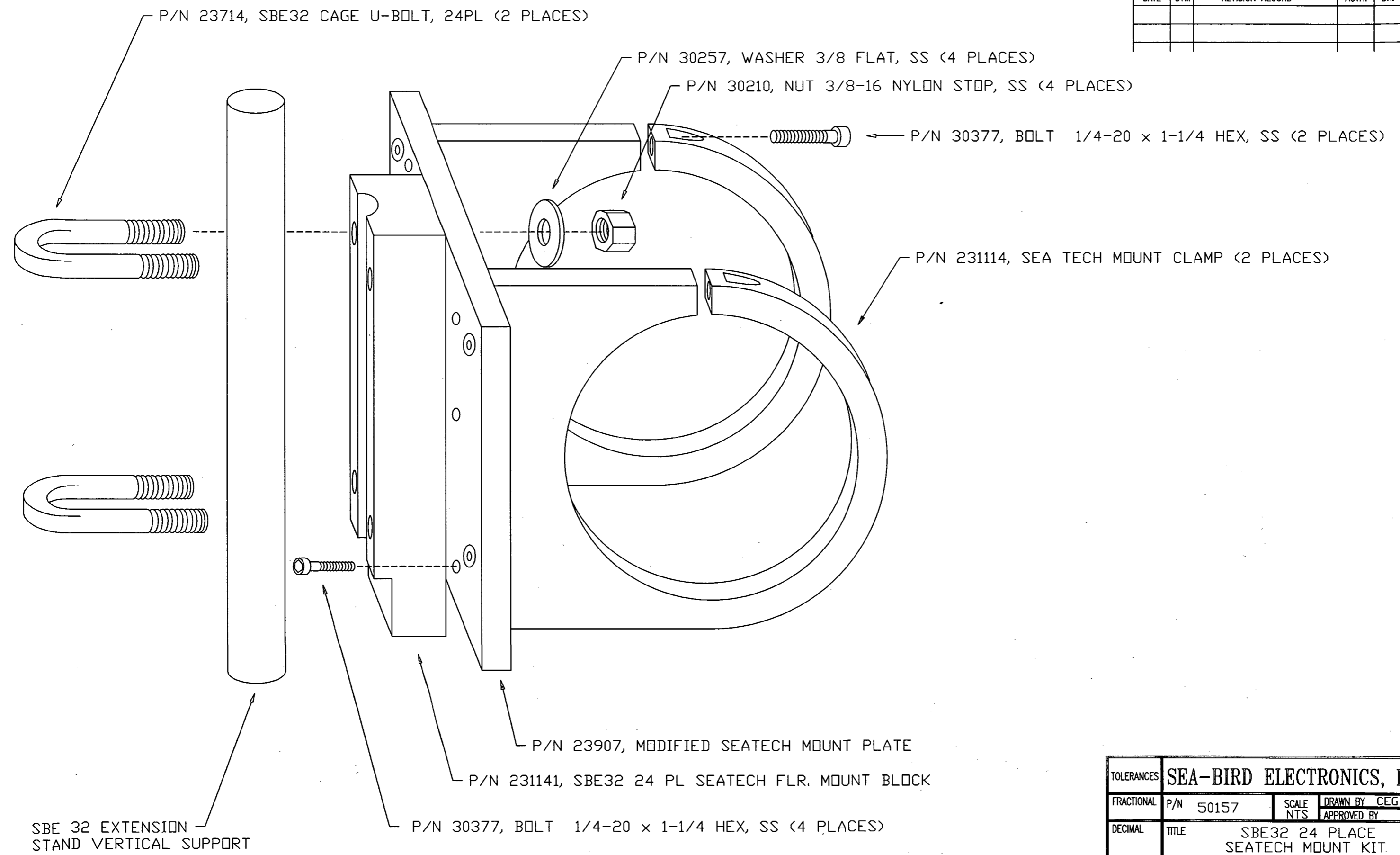
PROCEDURE NUMBER: **67003.1**

TITLE: **SBE PN 50157 SBE32 to SeaTech Mount kit,
24-Position Carousel**

REVISION:

EFFECTIVE DATE: **03/20/2001**

DATE	SYM	REVISION RECORD	AUTH.	DR.	CK.



TOLERANCES	SEA-BIRD ELECTRONICS, INC				
FRACTIONAL	P/N 50157	SCALE NTS	DRAWN BY CEG		
DECIMAL	TITLE SBE32 24 PLACE SEATECH MOUNT KIT				
ANGULAR ±1°	DATE 5.1.98	DRAWING NUMBER 67003	REV		