



**SEA -BIRD ELECTRONICS, INC.**

1808 136th Place N.E., Bellevue, Washington 98005 USA

Telephone: (425) 643-9866 Telex: 292915 SBEI UR

Fax: (425) 643-9954

email: seabird@seabird.com

SBE P/N 50182

DATE	SYM	REVISION RECORD	AUTH	DR	CHK

**SBE 32 12Place Datasonics Ext. Stand Mount Kit**

*Kit Contents*

SBE P/N	Manufacturer P/N	Primary SBE Application	QTY
231056	SBE 32 Datasonics Mount Plate	Main Sensor Plate for Mount Clamps	1
23859	SBE 32 Datasonics Mount Clamp	Main Sensor Mount Clamps	2
23906	SBE 32 12Pl SeaTech Fluor. Mount	For Securing Mount Plate to Extension Stand	1
30210	Nut, 3/8-16 nylon stop	Secure Bolts 30840	4
30254	Washer, 1/4 Split Ring Lock	Secure Bolts 30377	4
30257	Washer, 3/8 Flat SS	Secure Bolts 30840	8
30377	Bolt, 1/4-20 x 1-1/4 Socket	Secure Sensor in clamps, Clamps to Mount Plate	6
30570	Washer, 1/4" Flat	Secure Bolts 30377	4
30840	Bolt, 3/8-16 x 3-1/2 Hex SS	Secure Mount Plate (231056) to Fluor Mount (23906)	4
67007	SBE Assembly Drawing	12 Place Datasonics to Extension Stand Mount Kit	1

**Procedure for Kit Assembly**

*Drawing number 67007*

**A. Background**

1. Refer to SBE Assembly Drawing, number 67007 for a detailed explanation of included parts, and further assembly instructions.
2. Do not overtighten screws into Celcon, as it may crack the Celcon material.

**B. Assembling the Fixture**

1. Mount clamps (23859) to plate (231056) with screws and washers (30377, 30254, 30570).
2. Install screw (30377) loosely into open end of each clamp.
3. Slide Bolts (30840) and washers (30257) through plate. Fit plate and mount block (23906) together around vertical extension stand bar.
4. Secure Plate and block to bar with nut (30210) and washer (30257).

**C. Installing Datasonics Altimeter**

1. Slide Altimeter through mount clamps (23859) such that sensor end faces down, and unit is vertically centered between the clamps.
2. Tighten 30377 bolts on open end of clamps just until they can hold the sensor's weight. Turn each screw up to 1/4 turn farther to insure proper tension.
3. An overtightened screw will cause the clamp to crack. An undertightened screw will allow the sensor to fall out of the block.

SBE Drawings:

**67007**

SBE 32 12Place Datasonics Ext. Stand Mount Kit

**Sea-Bird Electronics Procedure**

PROCEDURE NUMBER: **67007**

TITLE: **PN50182 12Place Datasonics Ext. Stand Kit**

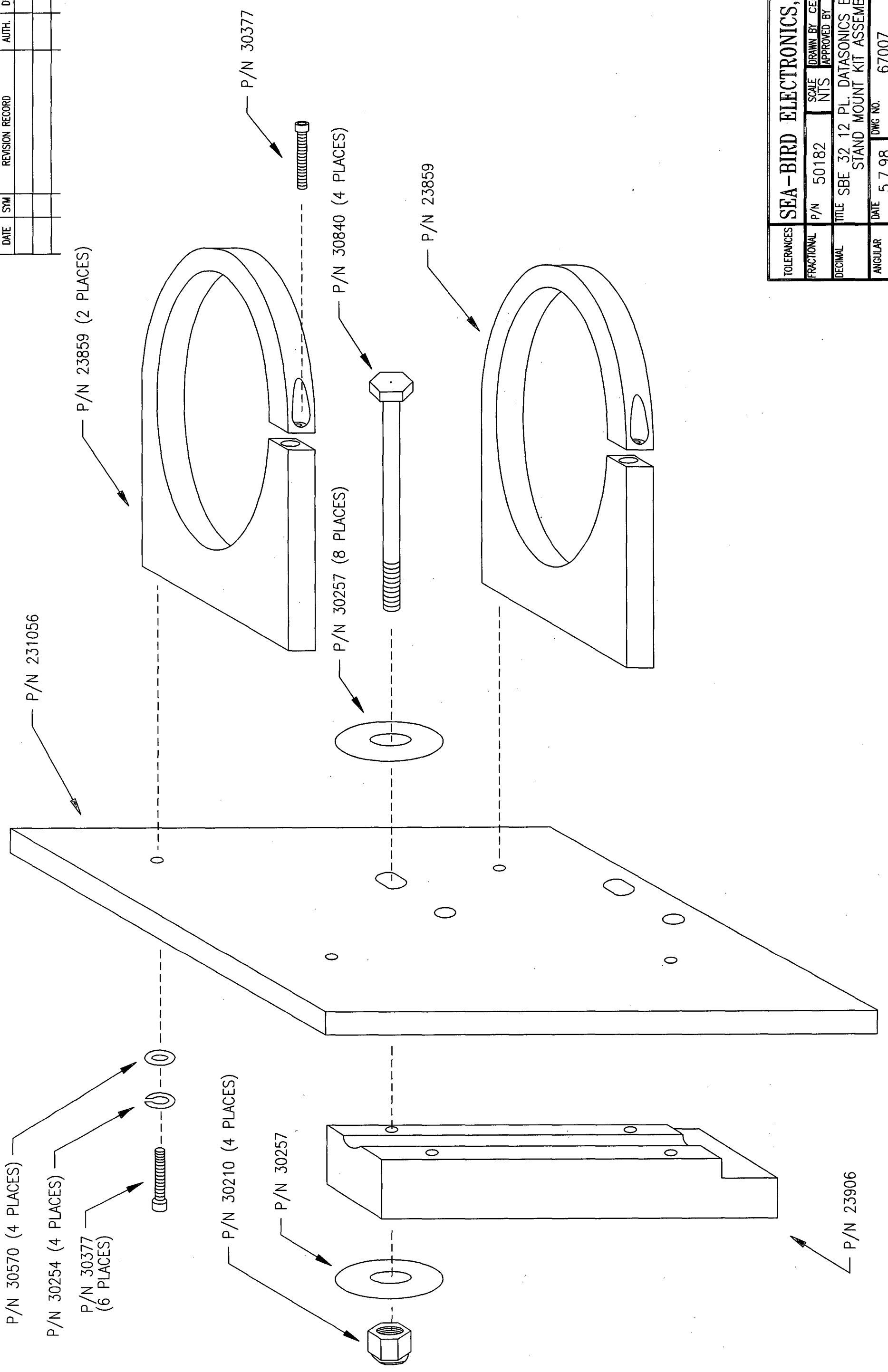
REVISION:

EFFECTIVE DATE: **05/30/2002**

CHECKED BY:

PAGE 1 of 1

DATE	SYM	REVISION RECORD	AUTH.	DR.	CK.



TOLERANCES				SEA-BIRD ELECTRONICS, INC	
FRACTIONAL	P/N 50182	SCALE NTS	DRAWN BY CEG	APPROVED BY	
DECIMAL	TITLE SBE 32 12 PL. DATASONICS EXTEN. STAND MOUNT KIT ASSEMBLY				
ANGULAR	DATE 5.7.98	DWG NO. 67007	REV		