



# SEA-BIRD ELECTRONICS, INC.

1808 136th Place N.E., Bellevue, Washington 98005 USA

Telephone: (425) 643-9866 Telex: 292915 SBEI UR

Fax: (425) 643-9954

email: seabird@seabird.com

SBE P/N 50216

DATE	REV	REVISION RECORD	AUTH	DR	CHK
9.27.04	A	Changed Hose Clamps	CB	KLP	

## SBE 32-SC Multi-Sensor Mount Kit

Pump, DO/pH, TC

### Kit Contents

SBE P/N	Manufacturer P/N	Primary SBE Application	QTY
231107	TC Carrier	SBE 3 and SBE 4 strap on with 30884 clamps	1
231254	SBE 32SC Custom 5T/DO/TC plate	Main Sensor Mount Plate	1
231264	SBE 32SC Aux sensor mount plate	Carousel Interface Mount Bar Arm	1
231265	SBE 32SC DO/Aux Sensor block	Mount blocks for DO/pH sensor to 231254	2
231266	SBE 32SC 5T Mount Block	Mount block for 5T to 231254	1
23838	SBE 32-19 Mount Pin	Interface 30603, 231264 and Carousel Hub	1
30216	Nut, 1/4-20 nylon stop	Attach 231254, 231107 with 30887 hardware	2
30253	Washer, 1/4 Fender	Attach 231254, 231107 with 30887 hardware	2
30254	Washer, 1/4 Split Ring	Attach 231254, 231107 with 30887 hardware	2
30259	Washer, 1/2 flat, narrow	For 23838 mount pin to 231264, with 30855 hardware	1
30570	Washer, 1/4 flat	Attach 231254, 231107 with 30887 hardware	2
30594	Washer, 1/2 split ring	For 23838 mount pin to 231264, with 30855 hardware	1
30603	Mach screw, 1/2-13 x 3-1/2	For 23838 mount pin to 231264, with 30855 hardware	1
30855	Mach screw, 1/4-20 x 1-1/4 FH	Interface 231254, 231254	2
30887	Bolt, 1/4-20 x 3-1/4 Hex	Attach 231107 to 231254	2
31334	Hose Clamp, AWAB 316 SS, #40	Mount 5T to 231254	2
31337	Hose Clamp AWAB 316 SS, #64	Attach DO/pH to 231254	2
67013	SBE 32SC Multi-Sensor Mount Kit	Assembly drawing for multi-sensor mount kit	1

**REFER TO SBE ASSEMBLY DRAWING NUMBER 67013A FOR FURTHER INSTRUCTION**

Parent Part Number: 50216

SBE Drawings:

**67013A**

SBE 32SC Multi-Sensor Mount Kit

### Sea-Bird Electronics Procedure

PROCEDURE NUMBER: **67013**

TITLE: **SBE PN 50216 Multi-Sensor Mount Kit**

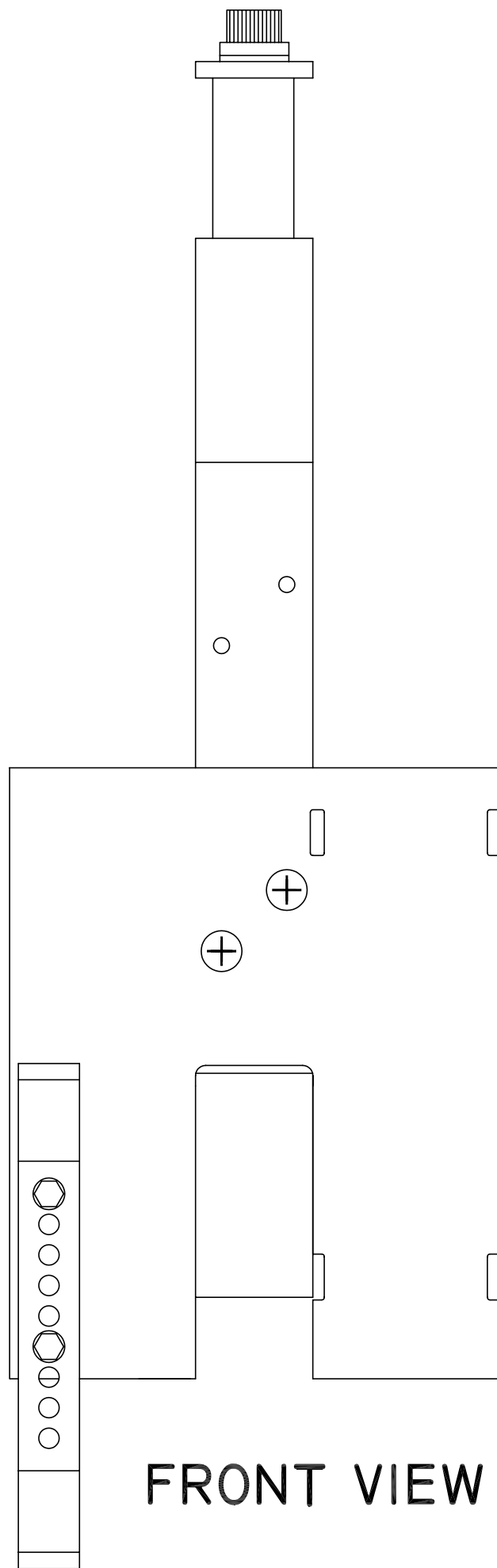
REVISION: **A**

EFFECTIVE DATE: **09/27/2004**

CHECKED BY:

PAGE 1 of 1

DATE	SYM	REVISION RECORD	AUTH.	DR.	CK.
9.27.04	A	Changed Hose Clamps	CB	KLP	



P/N 231264, SBE32SC AUX SENSOR MOUNT PLATE

P/N 231254, SBE32SC CUSTOM 5T/D0/TC PLATE

P/N 30855, MACH SCREW 1/4-20X1-1/4 FH  
(2 PLACES)

P/N 231107, TC CARRIER

P/N 30570, WASHER 1/4 FLAT  
(2 PLACES)

P/N 30887, BOLT 1/4-20X3-1/4 HEX  
(2 PLACES)

PN 30253, 1/4" WASHER  
(2 PLACES)

PN 30254 1/4" SPLIT LOCK WASHER  
(2 PLACES)

P/N 30216, 1/4-20 NUT NYLON STOP  
(2 PLACES)

P/N 23838, SBE32-19  
MOUNT PIN

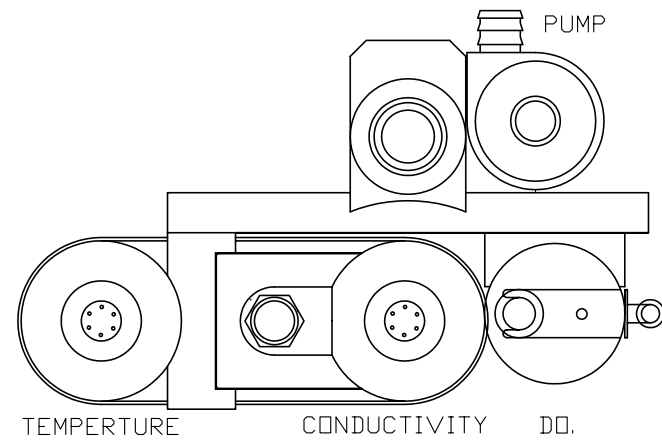
P/N 30259, WASHER  
1/2 FLAT, NARROW

P/N 30594, WASHER  
1/2 SPLIT RING

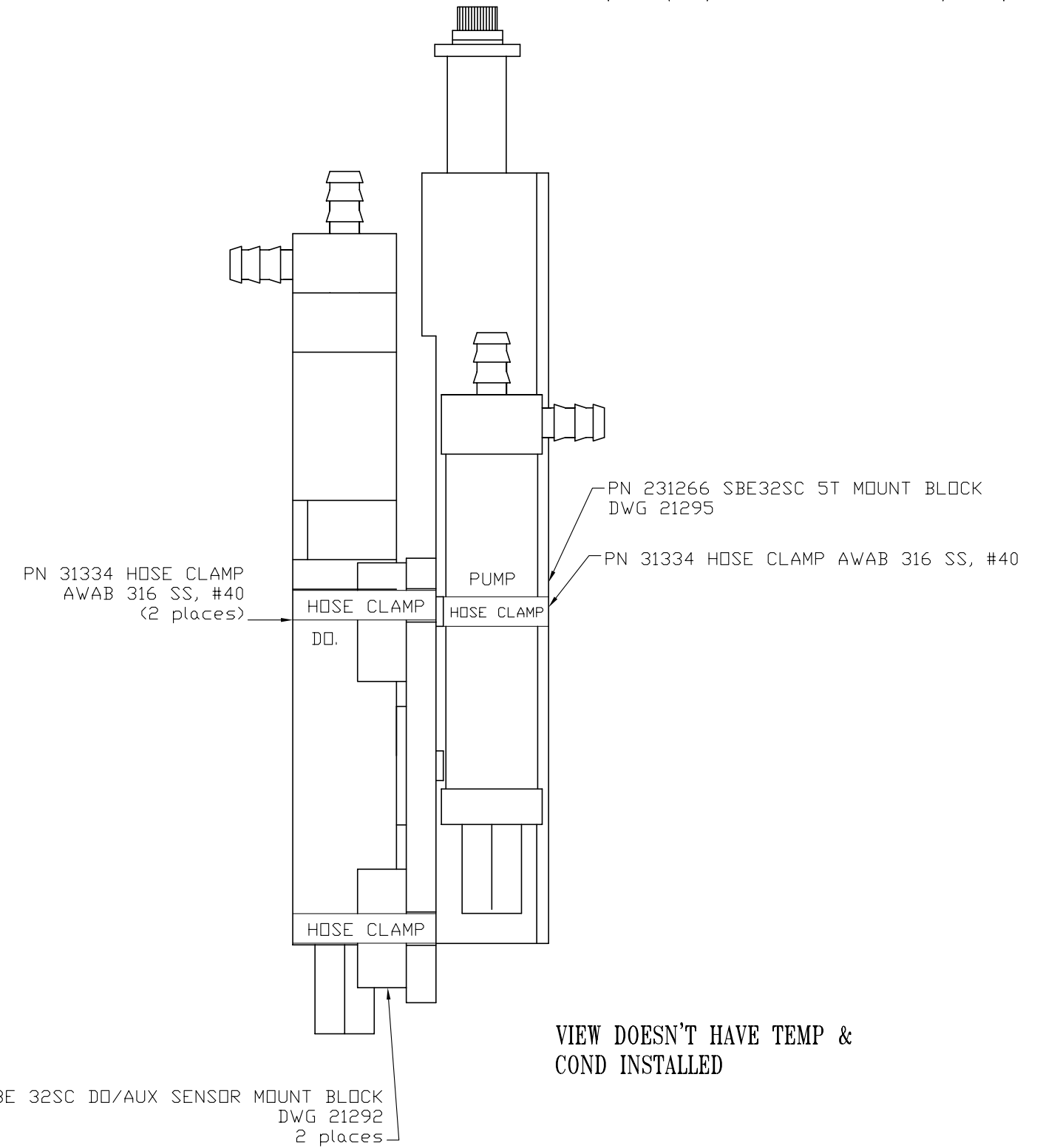
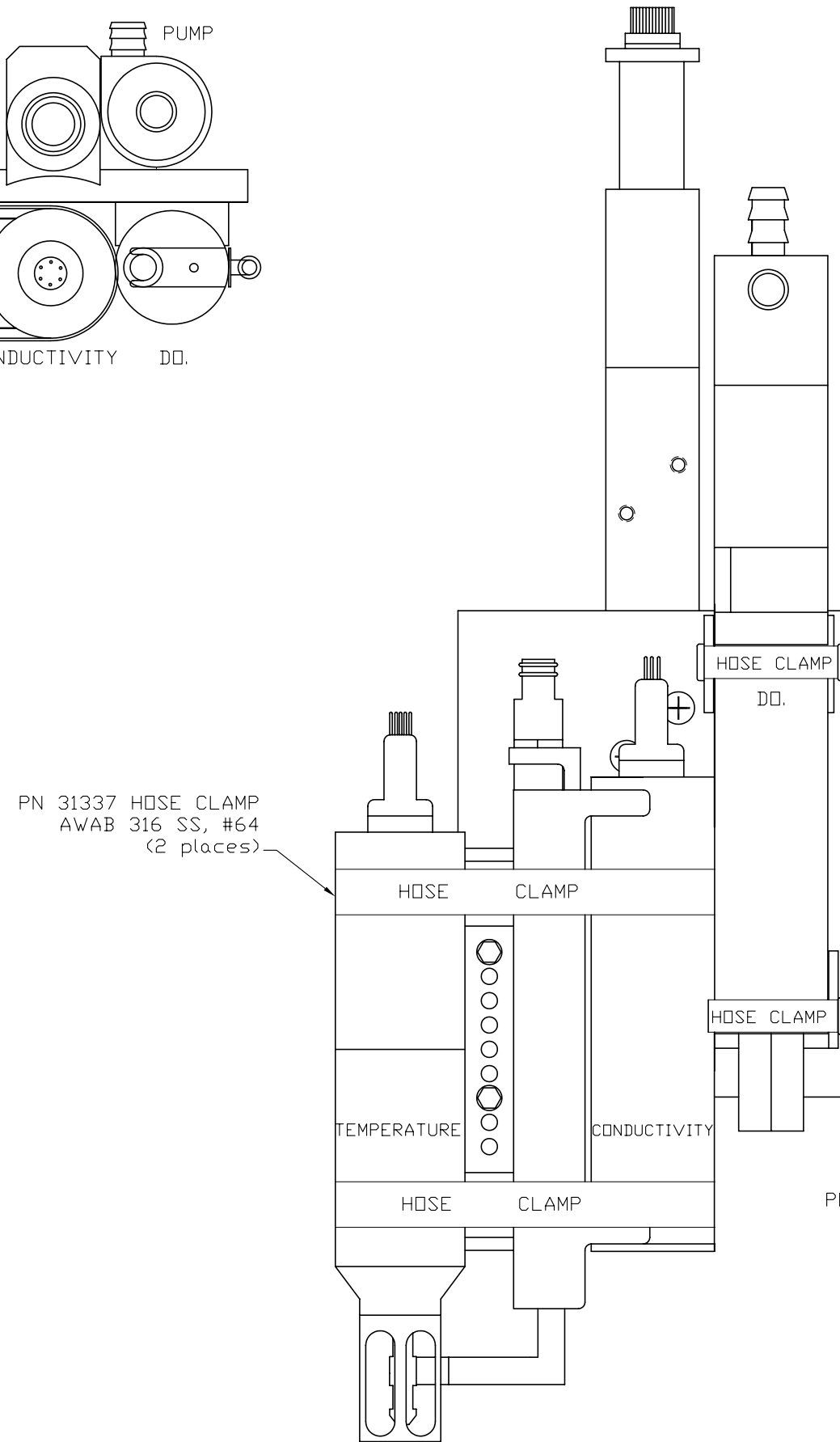
P/N 30603, MACH SCREW  
1/2-13 X 3-1/2

TOLERANCES	SEA-BIRD ELECTRONICS, INC			
FRACTIONAL	P/N 50216	SCALE NTS	DRAWN BY CEG	
DECIMAL	TITLE SBE 32SC MULTI SENSOR MOUNT KIT ASSEMBLY			
ANGULAR	DATE 5.8.98	DRAWING NUMBER SHEET 1 OF 4	67013	REV A

DATE	SYM	REVISION RECORD	AUTH.	DR.	CK.
9.28.04	A	Changed Hose Clamps	CB	KLP	



TOP VIEW



VIEW DOESN'T HAVE TEMP &  
COND INSTALLED

TOLERANCES	SEA-BIRD ELECTRONICS, INC				
FRACTIONAL	P/N	50216	SCALE	DRAWN BY RMB	
			NTS	APPROVED BY	
DECIMAL	TITLE SBE 32SC MULTI SENSOR MOUNT KIT ASSEMBLY				
ANGULAR	DATE	DRAWING NUMBER	67013		REV
	5.8.98	SHEET 2 OF 4			A