



# SEA-BIRD ELECTRONICS, INC.

1808 136th Place N.E., Bellevue, Washington 98005 USA  
Telephone: (425) 643-9866 Telex: 292915 SBEI UR  
Fax: (425) 643-9954 email: seabird@seabird.com

SBE P/N 50110

DATE	REV	REVISION RECORD	AUTH	DR	CHK
9.27.04	B	Changed Hose Clamps	CB	KLP	

## SBE 19 to Trittech Altimeter Mount Kit

### Kit Contents

SBE P/N	Manufacturer P/N	Primary SBE Application	QTY
23696	SBE 19 Cage Trittech Mnt Blk	Main sensor mount block	1
30190	Bolt, 1/4-20 x 2-1/2 HEX SS	Secures mount block to cage	1
30216	Nut, 1/4-20 nylon stop	Secures mount block to cage	1
30253	Washer, 1/4 fender, SS, 1"OD	Provides support for Bolt and nut	2
30409	Teflon Tape	Insulates Hose clamp against other materials	1
31334	Hose Clamp, AWAB 316 SS, #40	Secures Trittech to mount block	1
67019	SBE 19 Trittech Altimeter Mount Kit	Assembly drawing for Altimeter mount kit	1

### Procedure for Kit Assembly

*Drawing number 67019*

1. Block (23696) slides onto cage bottom bar as shown.
2. Secure block to age with bolt (30190) and washer (30253) and nut (30216).
3. Hose clamp should be supplied with tape installed.
  - a. To install tape, line up tape with underside of hose clamp at clamp end.
  - b. Run tape along inside of hose clamp, and smooth it down until no air bubbles exist between them.
  - c. With a razor, cut tape off along the sides of the hose clamp.
4. Mount altimeter to block as shown, and tighten hose clamp until snug.

Parent Part Number: 50110

SBE Drawings:

**67019** SBE19 to Trittech Altimeter Mount Kit Assembly

### Sea-Bird Electronics Procedure

PROCEDURE NUMBER: **67019**

TITLE: **SBE 19 to Trittech Altimeter Kit**

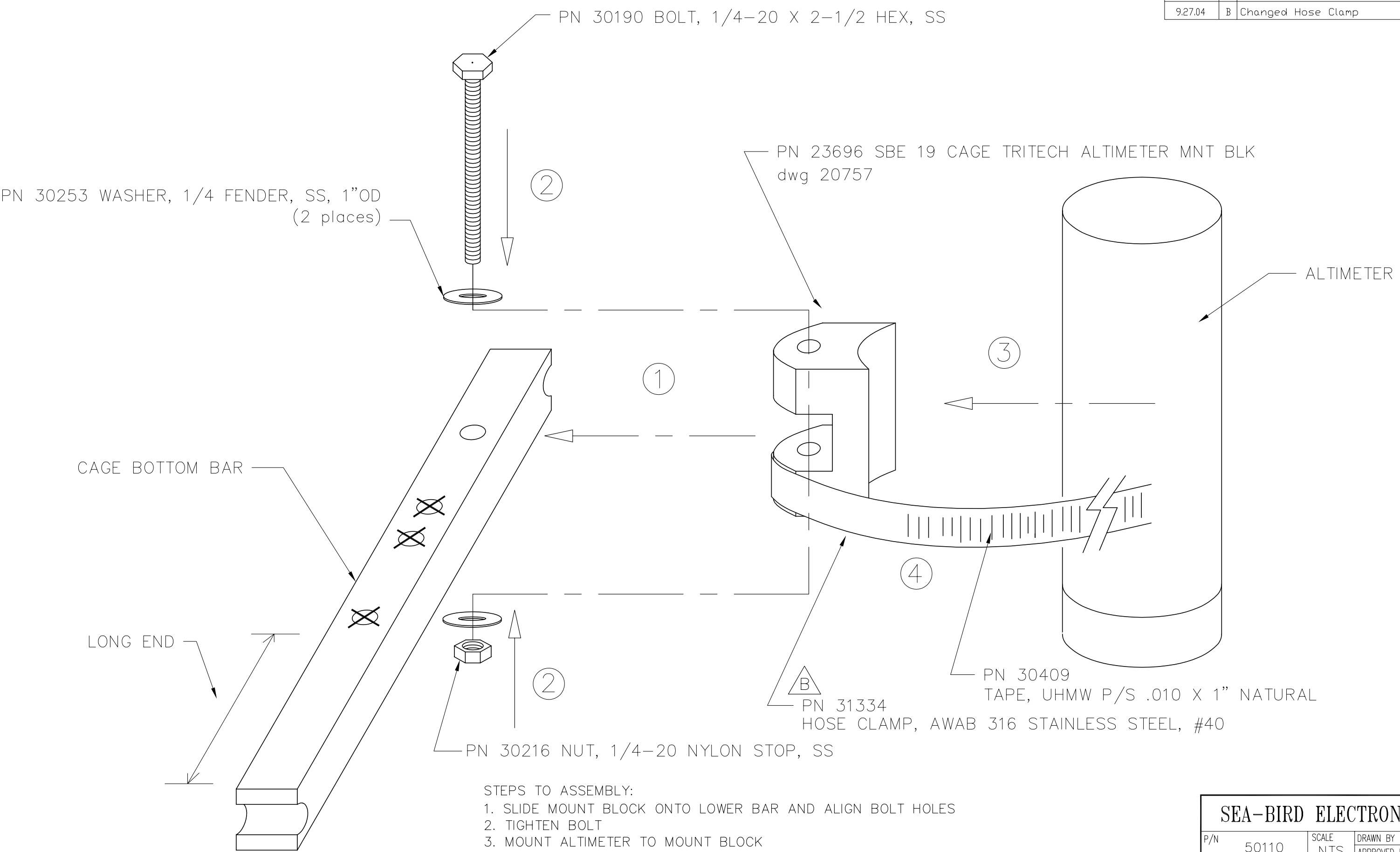
REVISION: **B**

EFFECTIVE DATE: **9/27/2004**

CHECKED BY: **KLP**

PAGE 1 of 1

DATE	SYM	REVISION RECORD	AUTH.	DR.	CK.
6/1/01	A	ADDED P/N 30253		LRG	
9.27.04	B	Changed Hose Clamp	CB	KLP	



- STEPS TO ASSEMBLY:
1. SLIDE MOUNT BLOCK ONTO LOWER BAR AND ALIGN BOLT HOLES
  2. TIGHTEN BOLT
  3. MOUNT ALTIMETER TO MOUNT BLOCK
  4. APPLY TEFLON TAPE TO HOSE CLAMP AND TIGHTEN AROUND LOWER LUG OF BLOCK,

<b>SEA-BIRD ELECTRONICS, INC</b>					
P/N	50110	SCALE	NTS	DRAWN BY	CEG
				APPROVED BY	
SBE 19 TRITECH ALTIMETER MOUNT KIT ASSEMBLY					
DATE	5/8/98	DWG NO.	67019	SHEET	REV
				1 of 1	B