



1808 136th Place N.E., Bellevue, Washington 98005 USA
Telephone: (425) 643-9866 Telex: 292915 SBEI UR
Fax: (425) 643-9954 email: seabird@seabird.com

DATE	SYM	REVISION RECORD	AUTH	DR	CHK
06.99	A	Corrected Drawing Set	MJ	MG	
1.8.04	B	Add missing parts; update reference drawing number	KLP	KLP	

SBE P/N 50130

SBE 32 12/16-Place Sub-Compact Carousel Assembly Hardware Kit

HARDWARE

SBE P/N	Part Description	Primary SBE Application	QTY
23918	SBE32 Deck Pad, 1" Dia.	Deck Pads used to protect carousel base	6
30044	Seacat Anode	Attach to SBE 32 connector endcap, Guards, extension stand	8
30231	Nut, 1/2-13 Hex SS	Secures Guard hardware 30603	8
30254	Washer, 1/4 Split Ring Lock, SS	Used with deck pad hardware 30377	6
30259	Washer, 1/2 Flat Narrow	Used with guard hardware 30603	16
30377	Cap Screw, 1/4-20x 1 1/4 Socket Head, SS	Used to secure deck pads to frame	6
30570	Washer, 1/4" Flat SS	Used with deck pad hardware 30377	6
30594	Washer, 1/2 Split Ring Lock	Used with guard hardware 30603	8
30603	Screw, 1/2-13 x 3-1/2 Socket SS	Secure Upper & Lower Guards, adapter plates, hub	8
30666	Bostik, Blue Moly	Coat all external hardware thoroughly with Never-Seez	1

Securing Guards, Adapter Plates, and Hub

1. Refer to SBE Drawing 40809A "SBE 32SC Carousel Frame Assembly" for visual instructions of this procedure.
2. Line up hub, guards, and plates, by making sure at least 2 bolts (30603) slip fully through their holes.
3. Slip a flat washer (30259) over each bolt.
4. Apply a solid coat of never-seez to each bolt and drop them into place according to drawing.
5. Secure each bolt with a second flat washer first, followed by a lock washer (30594) and finally a nut (30231).
6. *Make sure all 8 of these connections are tight.*

Parent Part Number: 50130

SBE Drawings:

40809A SBE 32SC Carousel Frame Assembly

40685B SBE 32 Pylon and Lifting Bail Detail

67117 SBE 32 Deck Pad Assembly

Sea-Bird Electronics Procedure

PROCEDURE NUMBER: **67047**

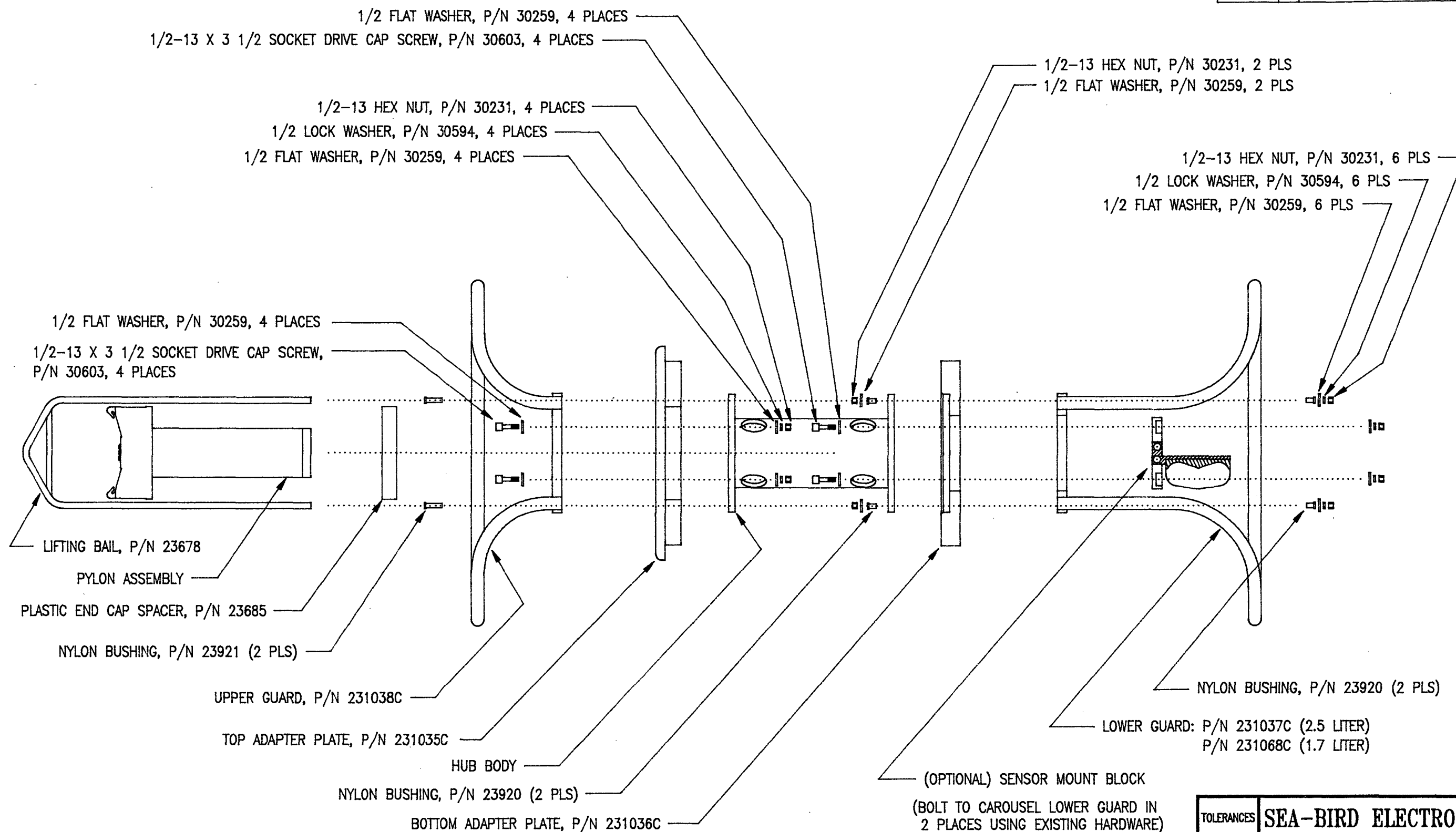
TITLE: **SBE32SC Assembly Hardware Kit**

REVISION: **B**

EFFECTIVE DATE: **1/8/2004**

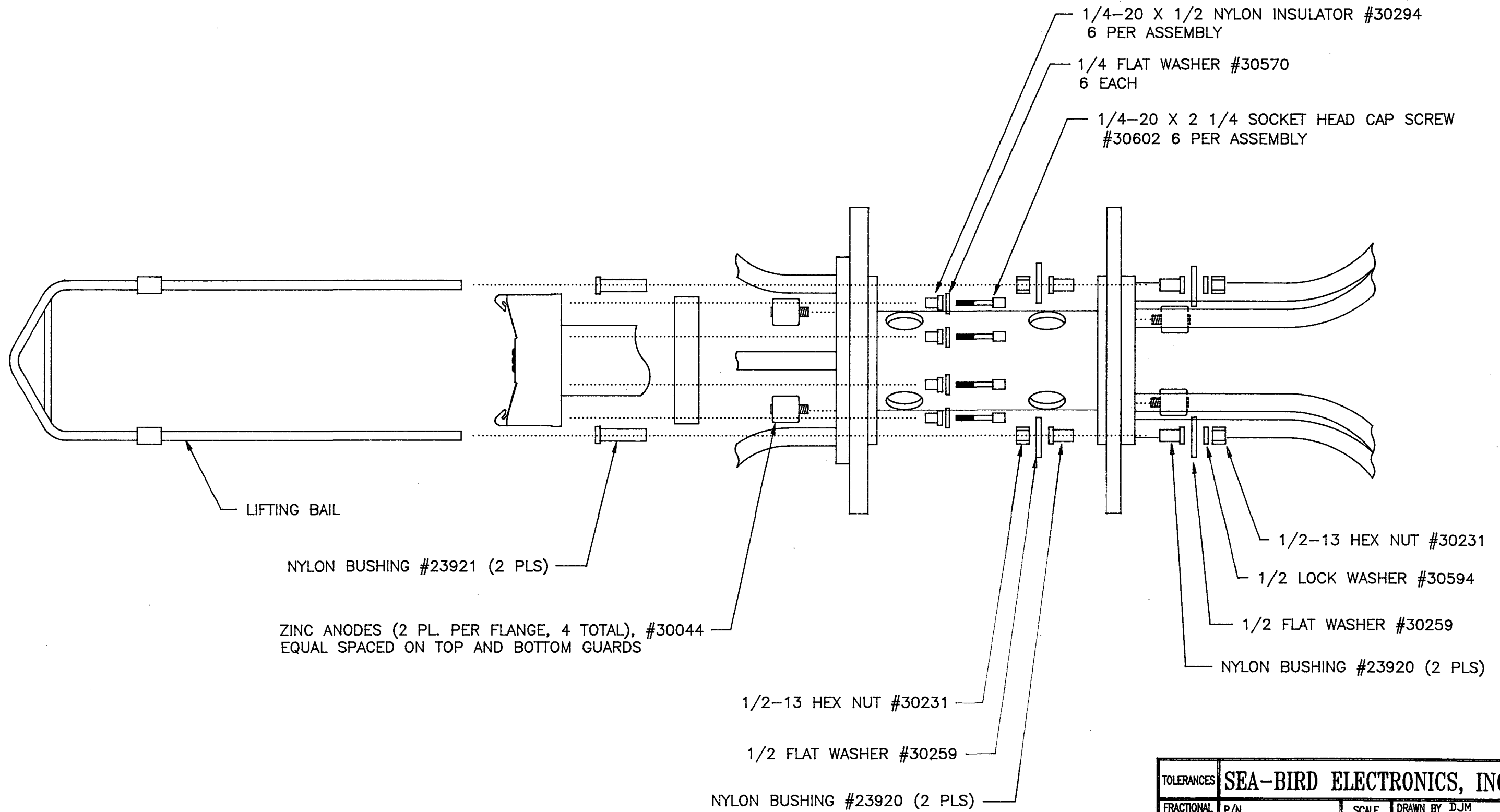
CHECKED BY: _____ PAGE 1 of 1

DATE	SYM	REVISION RECORD	AUTH.	DR.	CK.
6/5/96	A	DEL SIDE BARS, ADD 231068C	RB	DG	



TOLERANCES	SEA-BIRD ELECTRONICS, INC			
FRACTIONAL	P/N	SCALE	DRAWN BY DG	
		-	APPROVED BY	
DECIMAL	TITLE SBE 32 SUB-COMPACT CAROUSEL FRAME ASSEMBLY			
ANGULAR	DATE	DWG NO.	REV	
	11/15/95	40809	A	

DATE	SYM	REVISION RECORD	AUTH.	DR.	CK.
2/94	A	HEX NUT P/N	PG	DG	
2/95	B	NYLON BAIL INSULATORS	PG	DG	



NOTE: APPLY THREAD ANTI-SEIZE TO ALL THREADED HARDWARE PRIOR TO ASSEMBLY

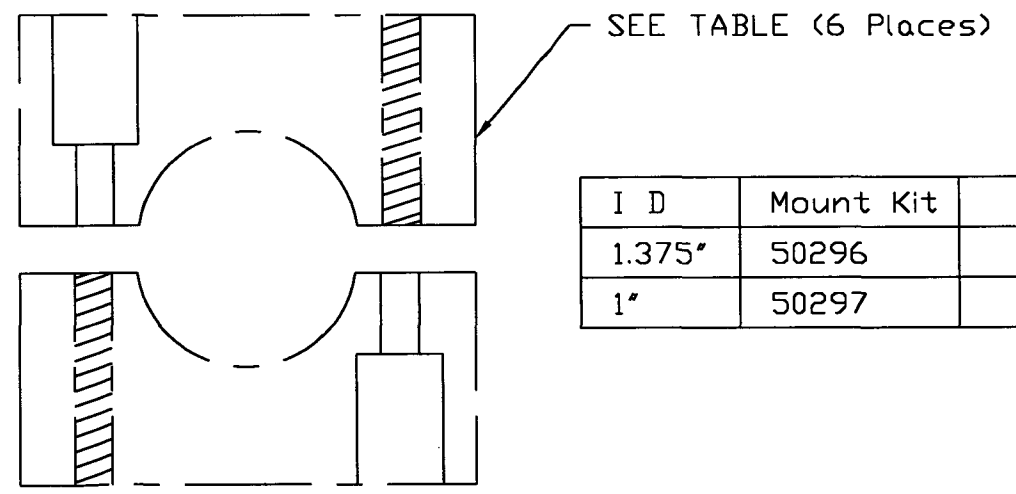
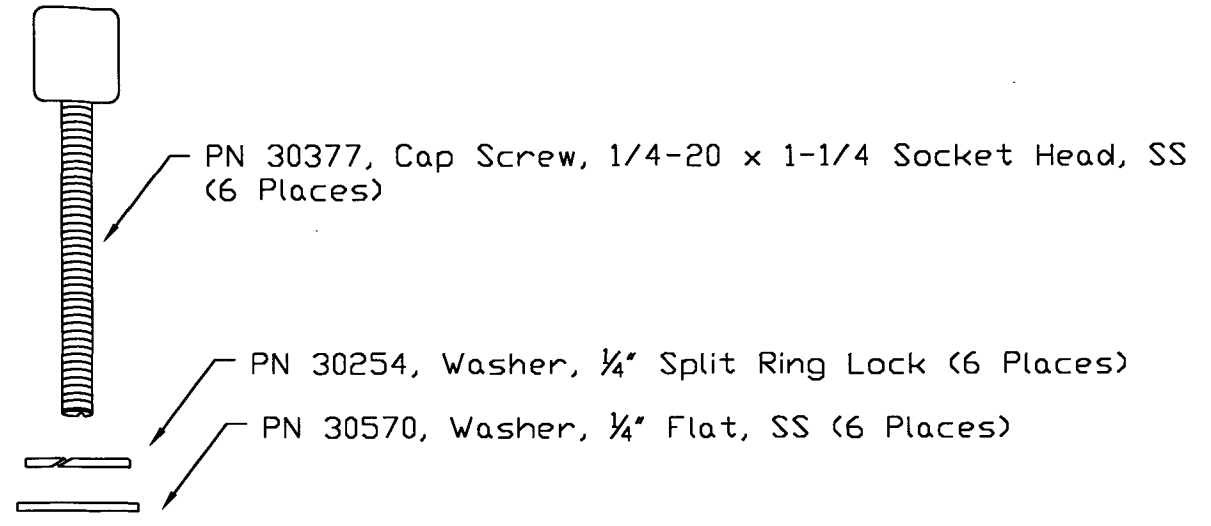
TOLERANCES	SEA-BIRD ELECTRONICS, INC			
FRACTIONAL	P/N	SCALE	DRAWN BY DJM	
DECIMAL	TITLE SBE 32 PYLON AND LIFTING BAIL DETAIL		APPROVED BY	
ANGULAR	DATE 10/22/93	DRAWING NUMBER 40685	REV B	

0.00

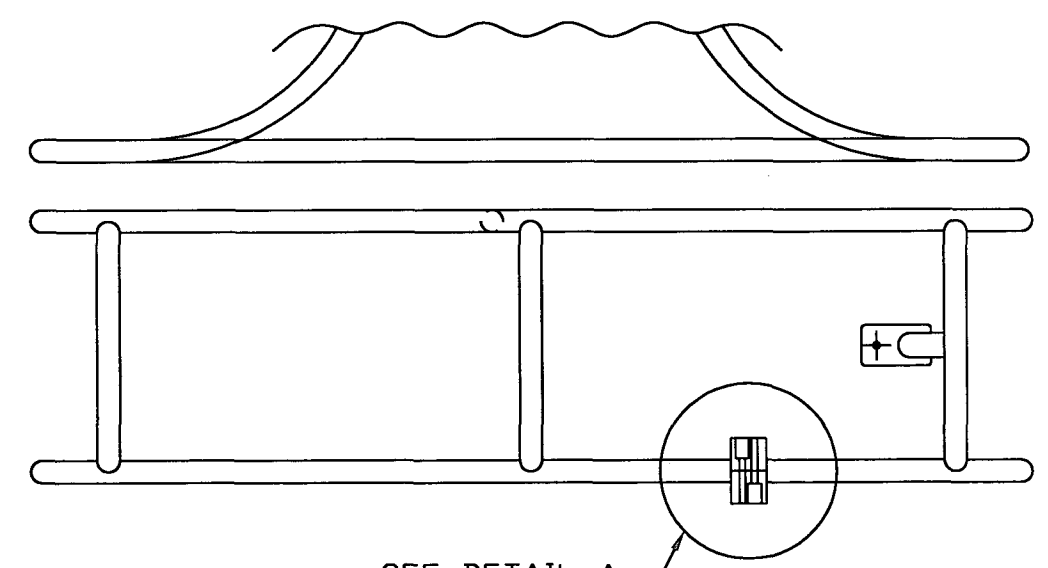
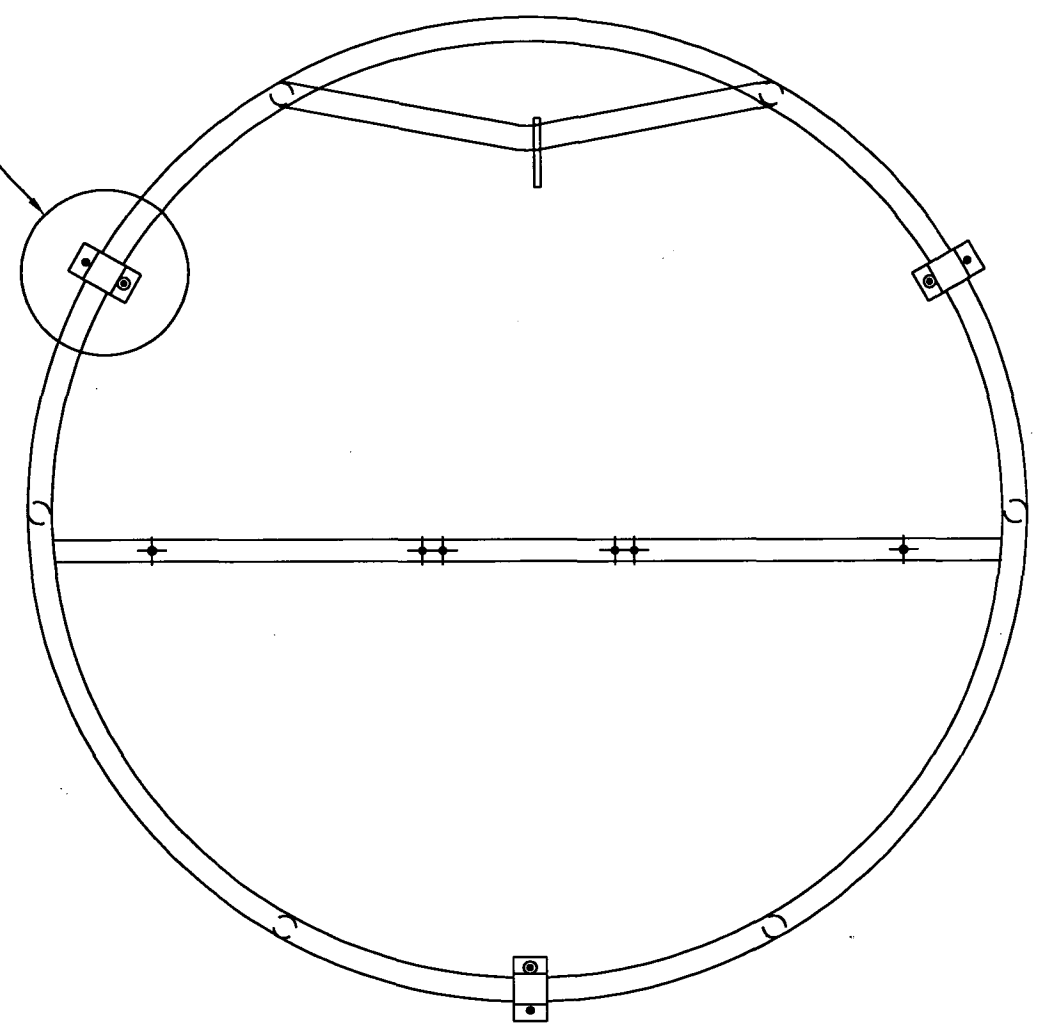
DATE	SYM	REVISION RECORD	AUTH.	DR.	CK.

DETAIL A:

SEE DETAIL A:



I D	Mount Kit	Mount Block
1.375"	50296	PN 23919, SBE32 Deck Pad, 1.375" Dia
1"	50297	PN 23918, SBE32 Deck Pad, 1" Dia



TOLERANCES	SEA-BIRD ELECTRONICS, INC				
FRACTIONAL	P/N	Varies	SCALE	DRAWN BY	MJ
DECIMAL	TITLE		NTS	APPROVED BY	
ANGULAR	DATE	DRAWING NUMBER	REV		
	11.12.01	67117			

01/12/01