



SEA-BIRD ELECTRONICS, INC.

1808 136th Place N.E., Bellevue, Washington 98005 USA
 Telephone: (425) 643-9866 Telex: 292915 SBEI UR
 Fax: (425) 643-9954 email: seabird@seabird.com

DATE	REV	REVISION RECORD	AUTH	DR	CHK
1.15.04	A	Fixed Bill and drawing revision		KLP	
7/7/2008	C	Changed cap screw	CB	PC	CB
3/30/09	D	Update drawing revisions	CB	CB	CB

SBE P/N 50130.1

Sbe32 Compact w/ Rails Hardware Kit

Kit Contents

SBE P/N	Manufacturer P/N	Primary SBE Application	QTY
23918	SBE32 Deck Pad, 1" Dia.	Deck Pads Used to protect Carousel Base	6
30044	Seacat Anode, 1"	4 used on upper and lower guards, 4 used on adapter plates	8
30231	Nut, 1/2-13 Hex, SS	Used with upper/lower guards to hub body securing screws	8
30254	Washer, 1/4" split ring lock	6 are used with deck pads	10
30259	Washer, 1/2" Flat Narrow	16 used with upper/lower guard screws (two per screw), 4 on lower guard	20
30377	Cap Screw, 1/4-20 x 1-1/4, socket head, SS	Used with deck pads	6
30570	Washer, 1/4" flat, SS	Used with deck pads	6
30594	Washer, 1/2" Split Ring Lock	8 used with upper/lower guards to hub body securing screws	12
30596	Mach screw, 1/4-20 x 1-1/2 FH	Secure side bars to upper and lower guards on SBE 32C frame	8
30603	Mach screw, 1/2-13 x 3-1/2"	Secure upper and lower guards and adapter plates to hub body	8
30612	Mach screw, 1/2-13 x 2 1/2" Soc.	Secure lower guard to bottom adapter plate	4
30666	Bostik Blue Molly	Used on threaded hardware to prevent seizing	1 can

40723C Compact Carousel Assembly
40724E Compact Carousel Frame Parts list
67117 SBE 32 Deck Pad Assembly

Sea-Bird Electronics Procedure

PROCEDURE NUMBER: **67048**

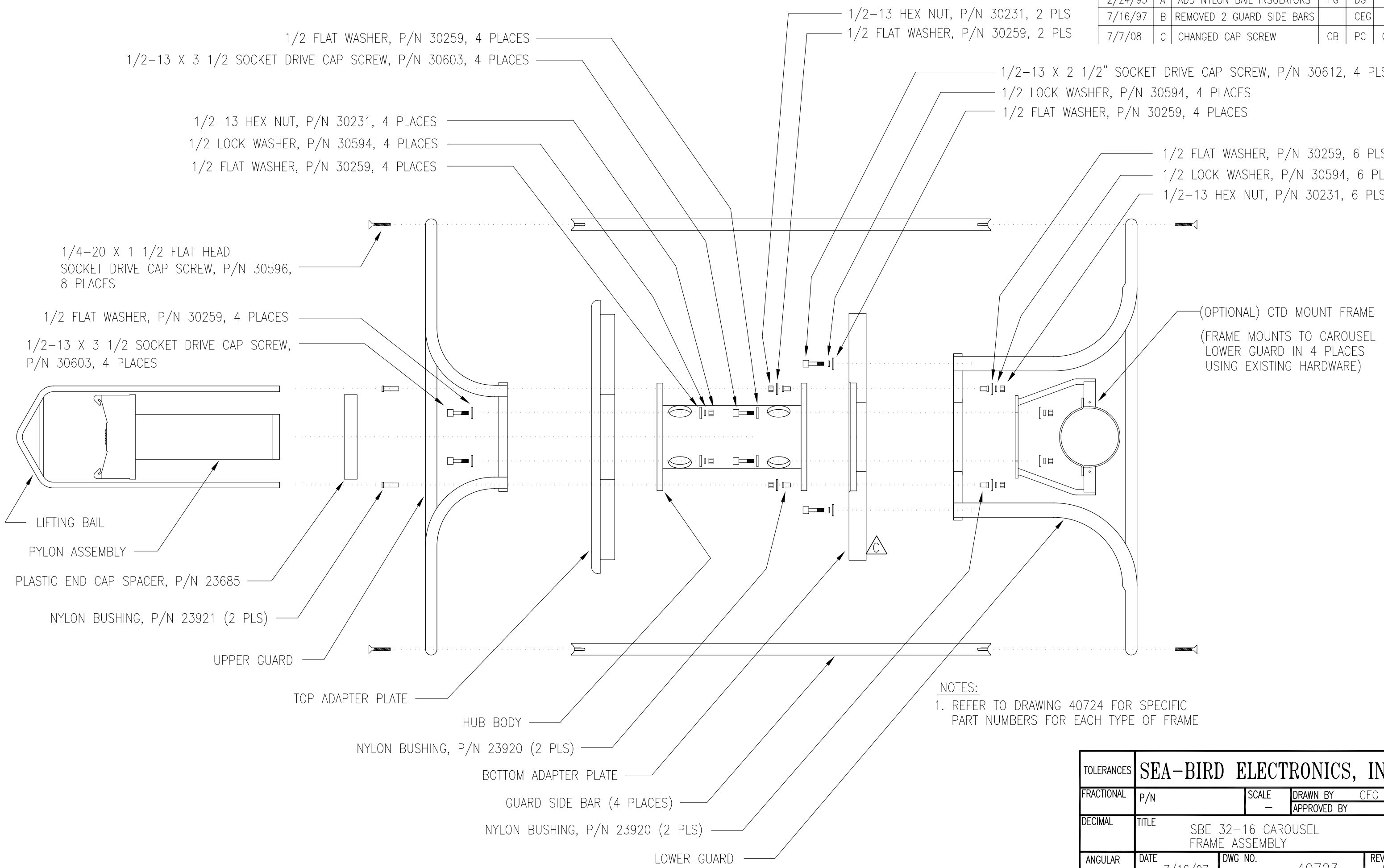
TITLE: **SBE32 Compact, W/ Rails Kit**

REVISION: D

EFFECTIVE DATE: **3/30/2009**

CHECKED BY: CB PAGE 1 of 1

DATE	SYM	REVISION RECORD	AUTH.	DR.	CK.
2/24/95	A	ADD NYLON BAIL INSULATORS	PG	DG	
7/16/97	B	REMOVED 2 GUARD SIDE BARS		CEG	
7/7/08	C	CHANGED CAP SCREW	CB	PC	CB



1/2 FLAT WASHER, P/N 30259, 4 PLACES
 1/2-13 X 3 1/2 SOCKET DRIVE CAP SCREW, P/N 30603, 4 PLACES

1/2-13 HEX NUT, P/N 30231, 4 PLACES
 1/2 LOCK WASHER, P/N 30594, 4 PLACES
 1/2 FLAT WASHER, P/N 30259, 4 PLACES

1/2-13 HEX NUT, P/N 30231, 2 PLS
 1/2 FLAT WASHER, P/N 30259, 2 PLS

1/2-13 X 2 1/2" SOCKET DRIVE CAP SCREW, P/N 30612, 4 PLS
 1/2 LOCK WASHER, P/N 30594, 4 PLACES
 1/2 FLAT WASHER, P/N 30259, 4 PLACES

1/2 FLAT WASHER, P/N 30259, 6 PLS
 1/2 LOCK WASHER, P/N 30594, 6 PLS
 1/2-13 HEX NUT, P/N 30231, 6 PLS

1/4-20 X 1 1/2 FLAT HEAD
 SOCKET DRIVE CAP SCREW, P/N 30596,
 8 PLACES

1/2 FLAT WASHER, P/N 30259, 4 PLACES
 1/2-13 X 3 1/2 SOCKET DRIVE CAP SCREW,
 P/N 30603, 4 PLACES

(OPTIONAL) CTD MOUNT FRAME
 (FRAME MOUNTS TO CAROUSEL
 LOWER GUARD IN 4 PLACES
 USING EXISTING HARDWARE)

LIFTING BAIL
 PYLON ASSEMBLY
 PLASTIC END CAP SPACER, P/N 23685
 NYLON BUSHING, P/N 23921 (2 PLS)

UPPER GUARD
 TOP ADAPTER PLATE

HUB BODY
 NYLON BUSHING, P/N 23920 (2 PLS)

BOTTOM ADAPTER PLATE
 GUARD SIDE BAR (4 PLACES)
 NYLON BUSHING, P/N 23920 (2 PLS)

LOWER GUARD

NOTES:
 1. REFER TO DRAWING 40724 FOR SPECIFIC
 PART NUMBERS FOR EACH TYPE OF FRAME

TOLERANCES	SEA-BIRD ELECTRONICS, INC			
FRACTIONAL	P/N	SCALE	DRAWN BY CEG	
		-	APPROVED BY	
DECIMAL	TITLE SBE 32-16 CAROUSEL FRAME ASSEMBLY			
ANGULAR	DATE 7/16/97	DWG NO. 40723	REV C	

DATE	SYM	REVISION RECORD	AUTH.	DR.	CK.
12.00	A	ADD SC, UPDATE 12-P	MJ	CB	CB
12.03	B	ADDED HUB PN'S	CB	KLP	CB
5/04	C	ADD FRAME ASSY KIT	CB	CB	
10.26.04	D	Added Guard Dia. Table	MJ	KHH	
3/30/09	E	ADD CUSTOM FRAMES	CB	CB	

HUB IS NOT INCLUDED:		HUB PART NUMBERS		HUB IS INCLUDED:	
6800M	7000M	10,500M	6800M	7000M	10,500M
90411, 12/16-Position	90415, 12/16-Position	90418, 12/16-Position	90422, 12/16-Position		
90412, 16-Position			90423, 16-Position		
Subconn					
90478, 12/16-Position	90481, 12/16-Position				
90485, 16-Position					

BOTTLE MOUNT STAND		GUARD		GUARD SIDE BAR	CTD MOUNT FRAME		FRAME ASSEMBLY	ADAPTER PLATES		PRICE LIST P/N (SET)	LIFTING BAIL
DESCRIPTION	PRICE LIST P/N	UPPER	LOWER		SBE P/N	PRICE LIST P/N		TOP	BOTTOM		
12 BOTTLE											
1.2 - 8 LITER		23795C	23792C	23790C	23844C		50130.1	23794C	23793C		23678
12 LITER		23795C	231423C	231422C	23844C		50130.1	23794C	23793C		23678
CUSTOM 10 LITER		23795	233783	233784	23844C		50130.1	23794C	23793C		23678
CUSTOM 5 LITER		233936C	233937C	233938C			50130.1	23794C	23793C		23678
16 BOTTLE											
1.2 - 8 LITER		23795C	23792C	23790C	23844C		50130.1	23794C	23793C		23678
SUB-COMPACT											
12 BOTTLE / 1.7-L		231038C	231068C				50130	231035C	231036C		23678
12 BOTTLE / 2.5-L		231038C	231037C				50130	231035C	231036C		23678

NOTES:

- REFER TO FRAME ASSEMBLY DRAWING 40723 FOR PART LOCATIONS.
- PYLON ASSEMBLY: PART NUMBERS SHOWN ON CHART ARE FOR SINGLE CONNECTOR END CAP.
ADD .1 TO P/N FOR 3 CONNECTOR END CAP (IE 90411 BECOMES 90411.1)

TOLERANCES	SEA-BIRD ELECTRONICS, INC				
FRACTIONAL	P/N SEE TABLE	SCALE -	DRAWN BY DG		
DECIMAL	APPROVED BY				
ANGULAR	DATE 7/26/94	DWG NO. 40724	DATE 1 OF 2	REV E	
	TITLE SBE 32-16 CAROUSEL FRAME COMPONENTS				

DATE	SYM	REVISION RECORD	AUTH.	DR.	CK.
12.01.00	B	ADD SC, UPDATE 12-P	MJ	CB	CB
12.01.03	B	ADDED HUB PN'S	CB	KLP	CB
5.01.04	C	ADD FRAME ASSY KIT	CB	CB	
10.26.04	D	Added Guard Dia. Table	MJ	KHH	
3/30/09	E	ADD CUSTOM FRAMES	CB	CB	

CAROUSEL ASSEMBLY PART ROUND STOCK DIMENSIONS

GUARD		
PN	TYPE	DIAMETER
231037C	LOWER	1 in.
231068C	LOWER	1 in.
231423C	LOWER	1.25 in.
23792C	LOWER	1.25 in.
231038C	UPPER	1 in.
23795C	UPPER	1 in.

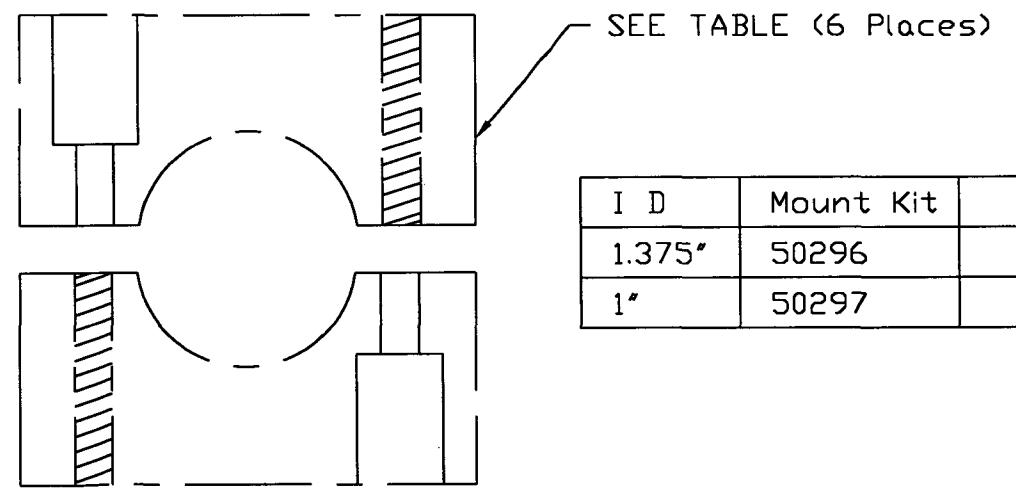
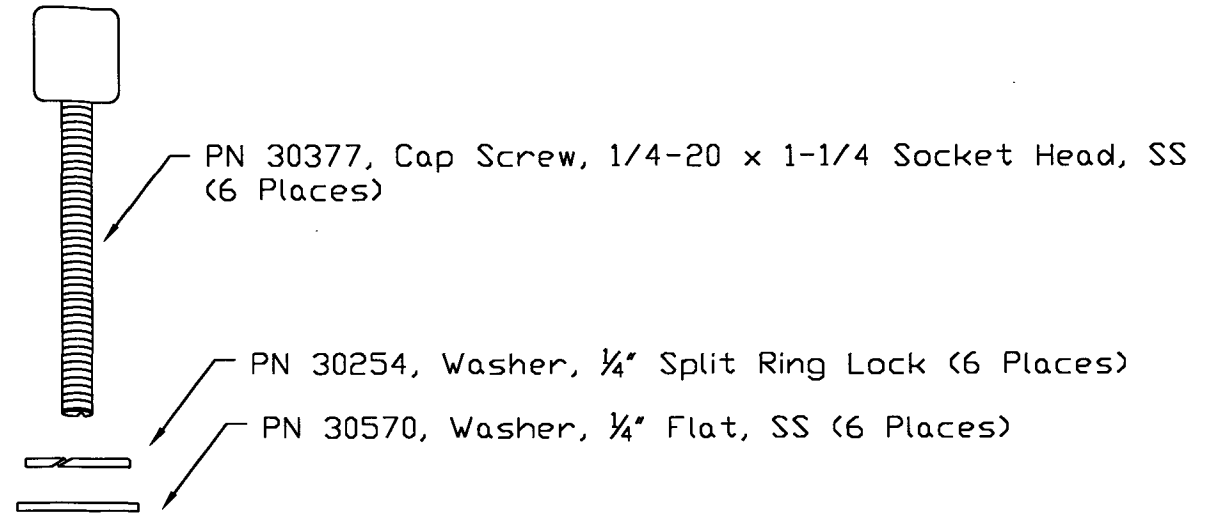
GUARD SIDE BAR	
Side Bar	Diameter
23790C	1 in.
231422C	1 in.
233938C	1 in.

TOLERANCES	SEA-BIRD ELECTRONICS, INC			
FRACTIONAL	P/N Many	SCALE -	DRAWN BY KHH APPROVED BY	
DECIMAL	TITLE SBE 32/16 CAROUSEL FRAME COMPONENTS			
ANGULAR	DATE 10.26.2004	DWG NO. 40724	PAGE 2 of 2	REV. E

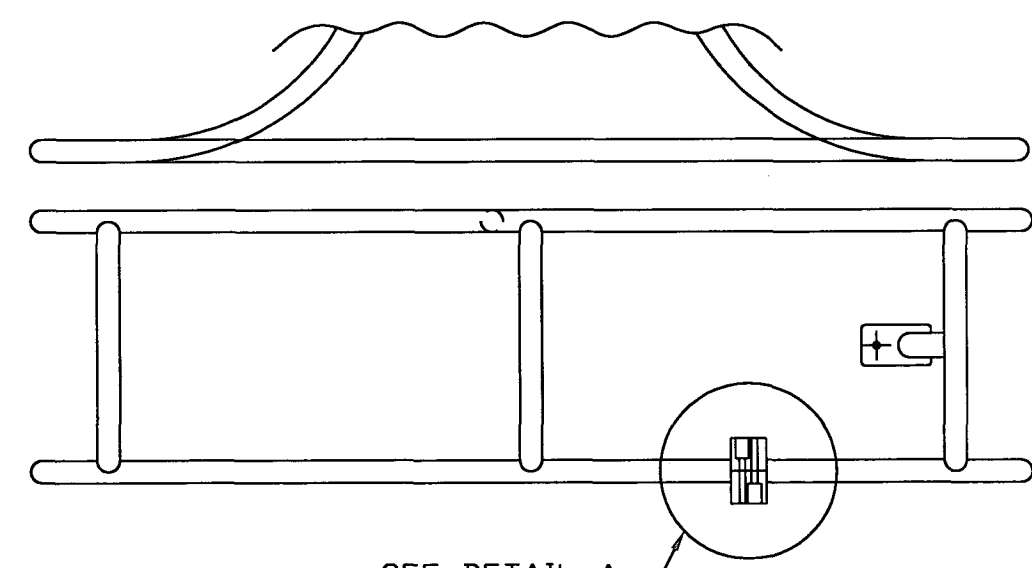
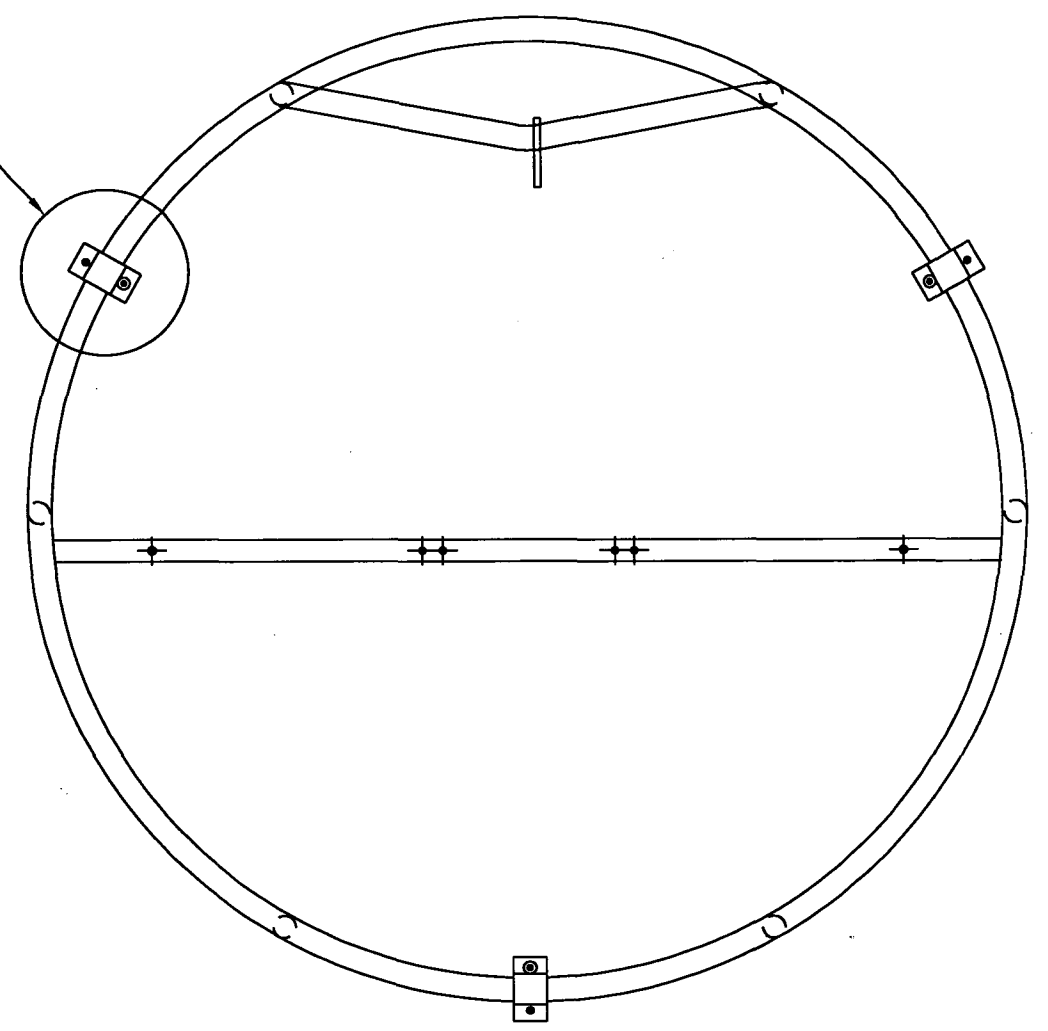
DATE	SYM	REVISION RECORD	AUTH.	DR.	CK.

DETAIL A:

SEE DETAIL A:



I D	Mount Kit	Mount Block
1.375"	50296	PN 23919, SBE32 Deck Pad, 1.375" Dia
1"	50297	PN 23918, SBE32 Deck Pad, 1" Dia



SEE DETAIL A:

TOLERANCES	SEA-BIRD ELECTRONICS, INC				
FRACTIONAL	P/N	Varies	SCALE	DRAWN BY MJ	
DECIMAL	TITLE		NTS	APPROVED BY	
ANGULAR	DATE	DRAWING NUMBER			
	11.12.01	67117			

01/12/01