



SEA-BIRD ELECTRONICS, INC.

1808 136th Place N.E., Bellevue, Washington 98005 USA

Telephone: (425) 643-9866 Telex: 292915 SBEI UR

Fax: (425) 643-9954

email: seabird@seabird.com

SBE P/N 50225

DATE	REV	REVISION RECORD	AUTH	DR	CHK
04.01	B	Split Mount Blocks into 2 parts each	MJ	LG	
9.23.04	C	Changed Hose Clamps	CB	KLP	

SBE35 to SBE9plus Mount Kit

Kit Contents

SBE P/N	Manufacturer P/N	Primary SBE Application	QTY
231334	Modified Bottle Mount	Main Stainless Steel Sensor Support Bar	1
231336	SBE 35 to SBE 9plus Mount Blocks	Interface SBE 35 Sensor Mount to SBE 9plus housing	2
231337	SBE 35 Guard to 9plus Mount Block PT.1	Secures SBE 35 Probe guard to Mount Plate	1
231338	SBE 35 Hsg to 9plus Mount Block PT.1	Secures SBE 35 Sensor Housing to Mount Plate	1
231938	SBE 35 Guard to 9plus Mount Block PT.2	Secures SBE 35 Probe guard to Mount Plate	1
231940	SBE 35 Hsg to 9plus Mount Block PT.2	Secures SBE 35 Sensor Housing to Mount Plate	1
30409	Teflon Tape, Adhesive 1 side	To help prevent corrosion due to dissimilar metals	3 ft
30162	Mach Screw, 8-32 x 7/8 FH SS	To secure Mount Plate to Bottle Mount support	4
30423	Bolt, 1/4-20 x 1-1/2 Socket SS	To secure each Mount Block around SBE35	4
31339	Hose Clamp, AWAB 316 SS, #96	2 each to secure mount plate to 9plus housing	2

Procedure for Kit Assembly

Refer to assembly drawing 67055 for details.

A. Installing Teflon Tape On Hose Clamps

1. Hose clamps should have Teflon tape on the inside. This insulates against unlike metal contact.
2. Cut a length of Teflon tape for each hose clamp to cover all but about 3" (6cm) of the total length.
3. Clean inside of hose clamps with alcohol, allow to dry, then apply the tape.
 - a. Start from the edge of the clamp, and feed the tape around inside of hose clamp.
 - b. You should press against the tape with your thumb to keep it aligned as you apply it.
 - c. You may also peel the tap back off to correct as you go.
 - d. Cut the tape off about 3" from end of the hose clamp.
4. Use a sharp blade to cut a notch next to the clamp area.
5. Remove any tape hanging over the hose clamp sides, leaving a small flap to protect the clamp.

B. Assembly Of The SBE 35 To 9plus Mount Kit

1. Secure mount blocks, mount plate, and modified bottle mount together with four screws (30162).
 - a. Screws into Celcon should be tightened by hand, just to snug.
 - b. Refer to drawing 67055 for details.
2. Using the bolts provided (30423), clamp each mount block around its respective position on the SBE 35 sensor.
 - a. Screws into Celcon should be tightened by hand, just to snug.
 - b. Refer to drawing 67055 for details.
3. Ensure that sensor is fully secured into the mount block assembly.

C. Mount SBE 35 Assembly Onto 9plus

- a. Open both Teflon tape coated hose clamps and fit them through the open space between the SBE 35 and its mount plate.
- b. Lay 9plus CTD system on its side, with the area you wish to install SBE 35 to facing up.
- c. Lay the SBE 35 assembly in place, and secure it to the 9plus with both hose clamps.
- d. Hose clamps should be tightened hand tight, but with no slack.

Parent Part Number: 50225

SBE Drawings:

67055 SBE9plus to SBE35 Mount Kit

Sea-Bird Electronics Procedure

PROCEDURE NUMBER: **67055**

TITLE: **SBE 35 to 9plus Mount Kit**

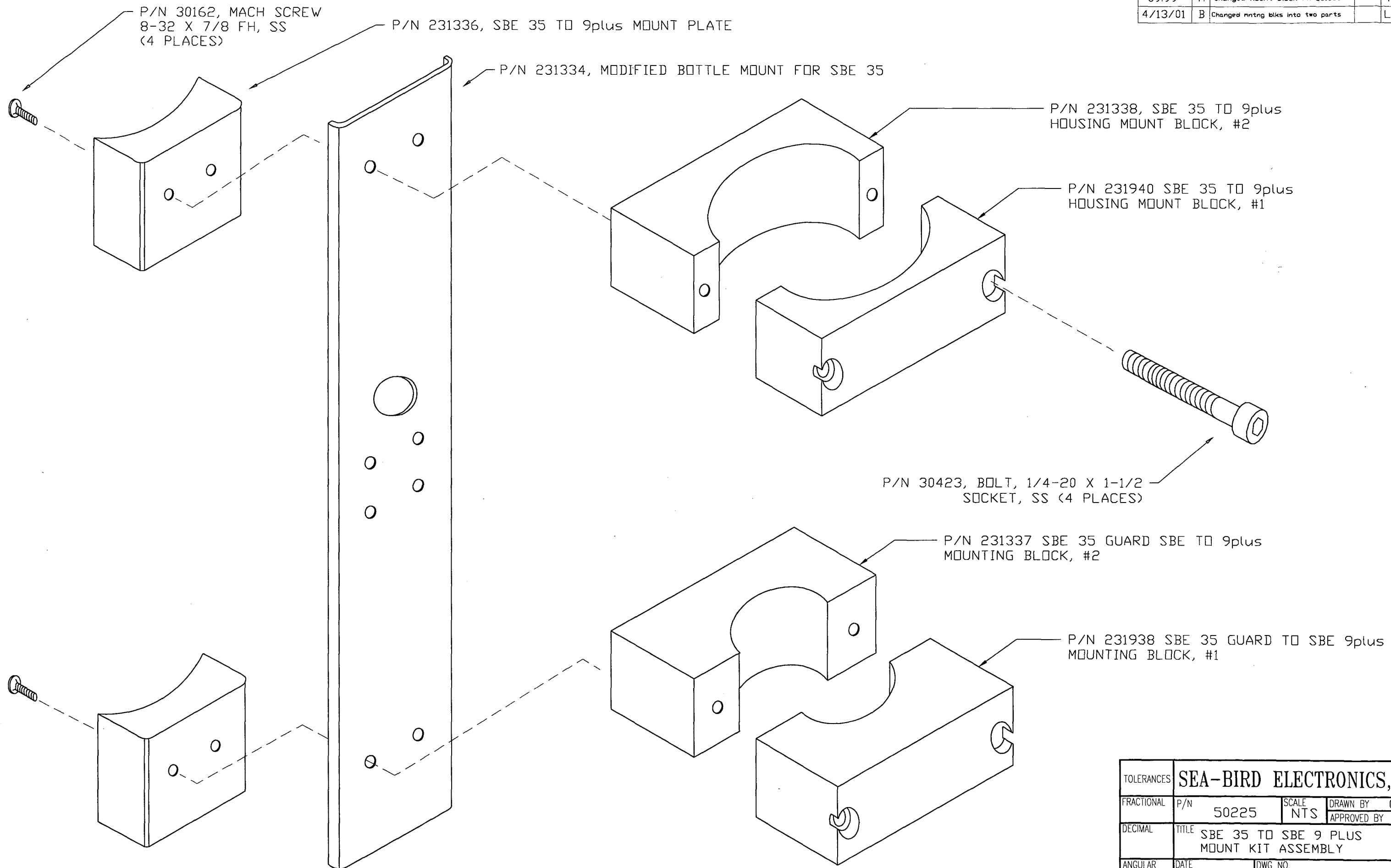
REVISION: **C**

EFFECTIVE DATE: **09/23/2004**

CHECKED BY: **KLP**

PAGE 1 of 1

DATE	SYM	REVISION RECORD	AUTH.	DR.	CK.
09.99	A	Changed Mount Block PN 231336		MJ	RB
4/13/01	B	Changed mntng blks into two parts		LRG	



TOLERANCES	SEA-BIRD ELECTRONICS, INC				
FRACTIONAL	P/N	SCALE	DRAWN BY CEG		
	50225	NTS	APPROVED BY CEG		
DECIMAL	TITLE SBE 35 TO SBE 9 PLUS MOUNT KIT ASSEMBLY				
ANGULAR	DATE	DWG NO.	REV		
	9/23/98	67055	B		