



SEA-BIRD ELECTRONICS, INC.

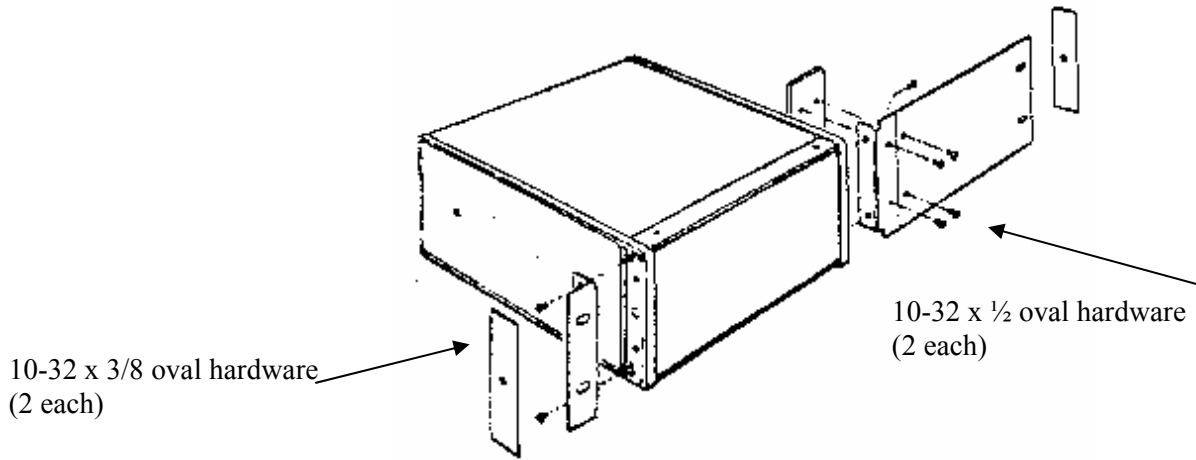
1808 136th Place N.E., Bellevue, Washington 98005 USA
 Telephone: (425) 643-9866 Telex: 292915 SBEI UR
 Fax: (425) 643-9954 email: seabird@seabird.com

SBE P/N : 30017 / 30617

SBE Deck Unit Rack Mount Bracket Kits

KIT CONTENTS

SBE PN	Parts Descriptions	Primary SBE Application	Qty
30617	TDJ Deck Unit Rack Mount	SBE 33, and Carousel Deck Units	2
30017	TDJ Deck Unit Rack Mount	SBE 11, and Full Sized Deck Units	2
Included with bracket	Mach Screw, 10-32 x 3/8 Oval Head	Secure Rack mount ears to Deck Unit	4
Included with bracket	Mach Screw, 10-32 x 1/2 Oval Head	Secure Rack Mount ear/Deck Unit Assembly to fixture	4



1. Remove the filler covers from Deck Unit
2. Install rack mounting brackets in the location of the removed filler covers using the two 10-32 x 1/2 oval head screws that were holding the filler covers on.
3. If the full rack adaptor is used, attach the rack mounting bracket and extension plate to the coupler plate using 10-32 x 1/2" truss head screws
4. Secure front of mounting brackets to any fixture with the 10-32 x 3/8" oval head screws.

Parent Part Number: 30017 / 30617

SBE Drawings:

Imbedded Rack Mount Bracket Installation Graphic

Sea-Bird Electronics Procedure

PROCEDURE NUMBER: **67059**

TITLE: **SBE Rack Mount Kit for Deck Units**

REVISION: **A**

EFFECTIVE DATE: **10/29/03**

CHECKED BY:

PAGE 1 of 1