



SEA-BIRD ELECTRONICS, INC.

1808 136th Place N.E., Bellevue, Washington 98005 USA
Telephone: (425) 643-9866 Telex: 292915 SBEI UR
Fax: (425) 643-9954 email: seabird@seabird.com

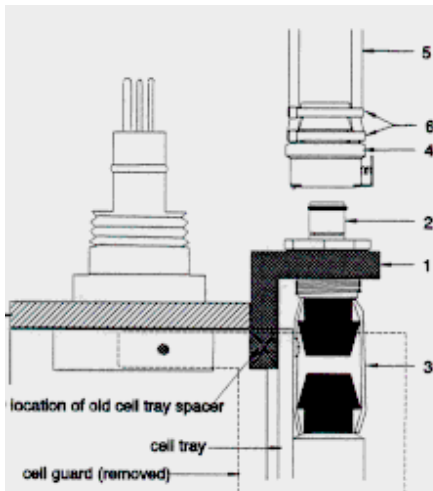
SBE P/N 50093, 50094, 50108

DATE	SYM	REVISION RECORD	AUTH	DR	CHK

SBE Customer Installed Tube Support Mount Kit

KIT CONTENTS

SBE P/N	Primary SBE Application	QTY
23547C	Cond Tube Support Fitting Mount, Aluminum	1
23547.1	Cond Tube Fitting Mount, Titanium	1
23548	Anode Ring, for Aluminum Sensors	1
23555	1/2" Tube support Quick Connect	1
23557	Conductivity cell connector	1
30384	Tygon Tubing for cell to support	1"
30389	Securing ties for tube support to plumbing	4



1. PN 23547C Aluminum Tube Support Mount
- PN 23547.1 Titanium Tube Support Mount
2. PN 23557 Conductivity Cell Connector
3. PN 30384 Tygon Tubing, 7/16 ID, 1/16 Wall
4. PN 23555 1/2" Quick Connector
5. PN 30388 Main Sensor Plumbing Material
6. PN 30389 4" Cable Ties (2 each)

A. PRECAUTIONS.

- Cell is fragile, and can be easily broken.
- Occasionally, tube supports are too long. In these cases, add a metal washer to the inside as a spacer.

B. EQUIPMENT NEEDED.

- Philips Head Screwdriver
- Tubing Cutter
- Ruler

C. PROCEDURE

1. Connect two halves of quick connector together, and screw snugly into Tube fitting Mount.
2. Remove cell guard from SBE 4 sensor. Also remove the 2 screws which hold the tray spacer and top end of cell.
3. Remove tray spacer. This part will remain uninstalled until tube support mount is installed.
4. Set mount in place of tray spacer and gauge proper length of Tygon tubing (30384) needed to seal between quick connect and cell.
5. Cut proper length of Tygon tubing and install it on the end of the connector. Slide assembly back onto cell, and replace the 2 screws that previously held the tray spacer.
6. Be sure to check all fittings before replacing cell guard. There should never be any direct contact between the quick connect and the cell itself.

Sea-Bird Electronics Procedure

PROCEDURE NUMBER: 67068

TITLE: SBE Customer Installed Tube Support Kit

REVISION:

EFFECTIVE DATE: 11/20/2002

CHECKED BY: _____ PAGE 1 of 1