



SEA-BIRD ELECTRONICS, INC.

1808 136th Place N.E., Bellevue, Washington 98005 USA

Telephone: (425) 643-9866 Telex: 292915 SBEI UR

Fax: (425) 643-9954

email: seabird@seabird.com

SBE P/N varies

DATE	REV	REVISION RECORD	AUTH	DR	CHK
4.21.05	A	Fixed PN for several kits	CB	KLP	
3.6.07	B	Update DN 41396	CB	CB	

SBE 39IM Cable Clamp and Guide Assembly Kit

UNIVERSAL KIT CONTENTS

SBE P/N	Manufacturer P/N	Primary SBE Application	QTY
30633	Washer, 1/4" Split Ring, Ti	Used with cable clamp to tighten around housing	1
31020	Screw, 4-40 x 1", Flat HD, SS	Used to hold cable guides to endcap and clamp pieces	4
31367	SHCS, 1/4-20 x 1-1/2", Ti	Used with cable clamp to tighten around housing	1

SPECIFIC KIT CONTENTS (varies to specified wire size)

SBE P/N	Manufacturer P/N	Primary SBE Application	QTY
801553. Xmm	SBE39 Microcat Cable Clamp	Attach around Sensor housing, clamps to cable	1
Varies	SBE37/39IM Microcat Cable guide, Part 1	Attach to Potted endcap to lock down mooring cable	1
Varies	SBE37/39IM Microcat Cable guide, Part 2	Attach to 39IM endcap clamp assembly to hold cable	1

KIT PART NUMBERS

SBE P/N	Kit Description
50382	SBE39IM Modular Cable Clamp Kit, 1/4"
50383	SBE39IM Modular Cable Clamp Kit, 5/16"
50384	SBE39IM Modular Cable Clamp Kit, 3/8"
50385	SBE39IM Modular Cable Clamp Kit, 1/2"
50386	SBE39IM Modular Cable Clamp Kit, 5/8"

SBE P/N	Kit Description
50387	SBE39IM Modular Cable Clamp Kit, 6 mm
50383	SBE39IM Modular Cable Clamp Kit, 8 mm
50388	SBE39IM Modular Cable Clamp Kit, 10 mm
50389	SBE39IM Modular Cable Clamp Kit, 12 mm
50386	SBE39IM Modular Cable Clamp Kit, 16 mm

Install Sensor Endcap Cable Guide Assembly

1. Remove the potted endcap's clamp assembly.
 - a. Loosen the bolts and washers from the endcap, if there are o-rings on the screws between the two parts don't remove them – they help hold the bolts and washers to the clamp.
2. Install the circular guide piece onto the removable side of the endcap.
 - a. Align it so that flat edge faces outward.
 - b. Secure into place with one 4-40 x 1" (31020) from each side (two total).
3. Install the second guide piece into the endcap.
 - a. The longer flat surface faces out.
 - b. Secure into place with one 4-40 x 1" (31020) from each side (two total).
4. Insert the cable in the opening of the guard pieces.

SBE DRAWING NUMBER: 41396A
TITLE: SBE39 V2 Cable Clamp Mount Kit

SBE DRAWING NUMBER: 41397
TITLE: SBE39IM Cable Guide assembly kit

Sea-Bird Electronics Procedure
PROCEDURE NUMBER: 67161
TITLE: **SBE39 IM Cable Clamp Assembly Kit**
REVISION: B
EFFECTIVE DATE: 3/6/2007
CHECKED BY: _____ PAGE 1 of 2



SEA-BIRD ELECTRONICS, INC.

1808 136th Place N.E., Bellevue, Washington 98005 USA
Telephone: (425) 643-9866 Telex: 292915 SBEI UR
Fax: (425) 643-9954 email: seabird@seabird.com

5. Secure the outer guide to the endcap.
 - a. Put one lock washer and one flat washer onto each bolt.
 - b. Insert each bolt back into the holes on the outside guide piece of the endcap.
 - c. Slide an o-ring over each bolt.
 - *The o-rings should seat into the internal countersinks on the blocks.*

Installing the Cable Clamp

1. Slide the SBE 39 through the cable clamp (modified 233089) until it is centered in the clamp.
 - a. It doesn't matter which way the sensor is inserted into the clamp.
2. Rotate the cable clamp until the notch for the cable is lined up with the one in the potted endcap.
3. Secure the SBE39 with a bolt (31367) and lock washer (30633).
4. Lay the SBE39, with cable clamp, against the cable, and set the mooring clamp (modified 233090) against it with the cable sandwiched between them in the groove.
5. Secure the mooring clamp to the cable clamp with two bolts (31367).
 - a. Slide the bolts through the cable clamp then install one o-ring (31019) on each bolt.
 - b. If the mount is received fully pre-assembled to a sensor, you will need to remove the two ¼-20 bolts (31367) that hold the two clamp pieces together in order to attach the sensor to the cable.

SBE DRAWING NUMBER: 41396A
TITLE: SBE39 V2 Cable Clamp Mount Kit

SBE DRAWING NUMBER: 41397
TITLE: SBE39IM Cable Guide assembly kit

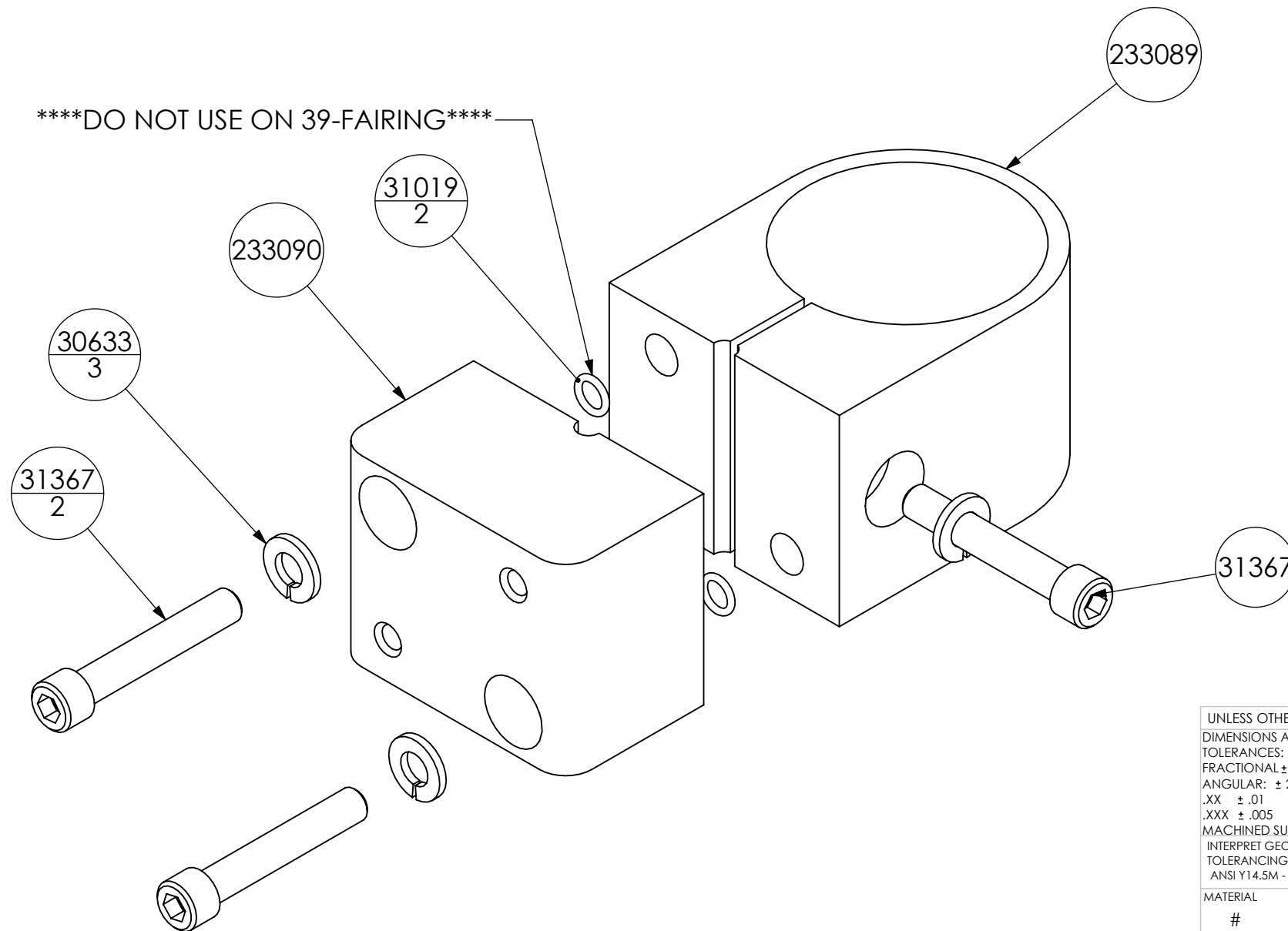
Sea-Bird Electronics Procedure
PROCEDURE NUMBER: 67161
TITLE: **SBE39 IM Cable Clamp Assembly Kit**
REVISION: B
EFFECTIVE DATE: 3/6/2007
CHECKED BY: _____ PAGE 2 of 2

DATE	REV	DESCRIPTION	AUTH	DR	CK.
02/07	A	ECNT065 MOD 1/2"/12mm/ 13mm CLAMP	CB	MT	

ITEM NO.	PART NUMBER	Drawing Number	DESCRIPTION	QTY.
1	30633		Washer, 1/4" Split Ring Lock, Titanium	1
2	31367		CAP SCREW, 1/4-20 X 1-1/2, SOCKET HEAD, TI	1
3	801553.Xmm	41394	SBE39 & 39IM CABLE CLAMP ASSY PT 2	1
	233089	233089	SBE39 MOORING CLAMP, GENERIC	1
	233090	233090	generic SBE-39 Cable clamp	1
	30633		Washer, 1/4" Split Ring Lock, Titanium	2
	31019		O-RING, 2-008	2
	31367		CAP SCREW, 1/4-20 X 1-1/2, SOCKET HEAD, TI	2

KIT PN	Parts	Cable Diameter	Drill Size	Tap Size
Generic	233089 / 233090	Generic	n/a	n/a
50377	801553.6mm	1/4" or 6mm	#8 (.199)	1/4-20
50378	801553.8mm	5/16" or 8mm	I with #8 Pilot	5/16-24
50379	801553.10mm	3/8" or 10mm	R with #8 Pilot	3/8-24
50380	801553.12mm	1/2", 12mm OR 13mm	31/64 USE .070" SHIM*	9/16-12
50381	801553.16mm	5/8" or 16mm	37/64 with #8 Pilot	5/8-18 UNF

*REMOVE O-RINGS PN31019 IF A SHIM IS REQUIRED BETWEEN PN233089 AND PN233090. REPLACE O-RINGS AFTER PARTS HAVE BEEN MODIFIED. PN31134 CAN BE USED AS THE .070" SHIM

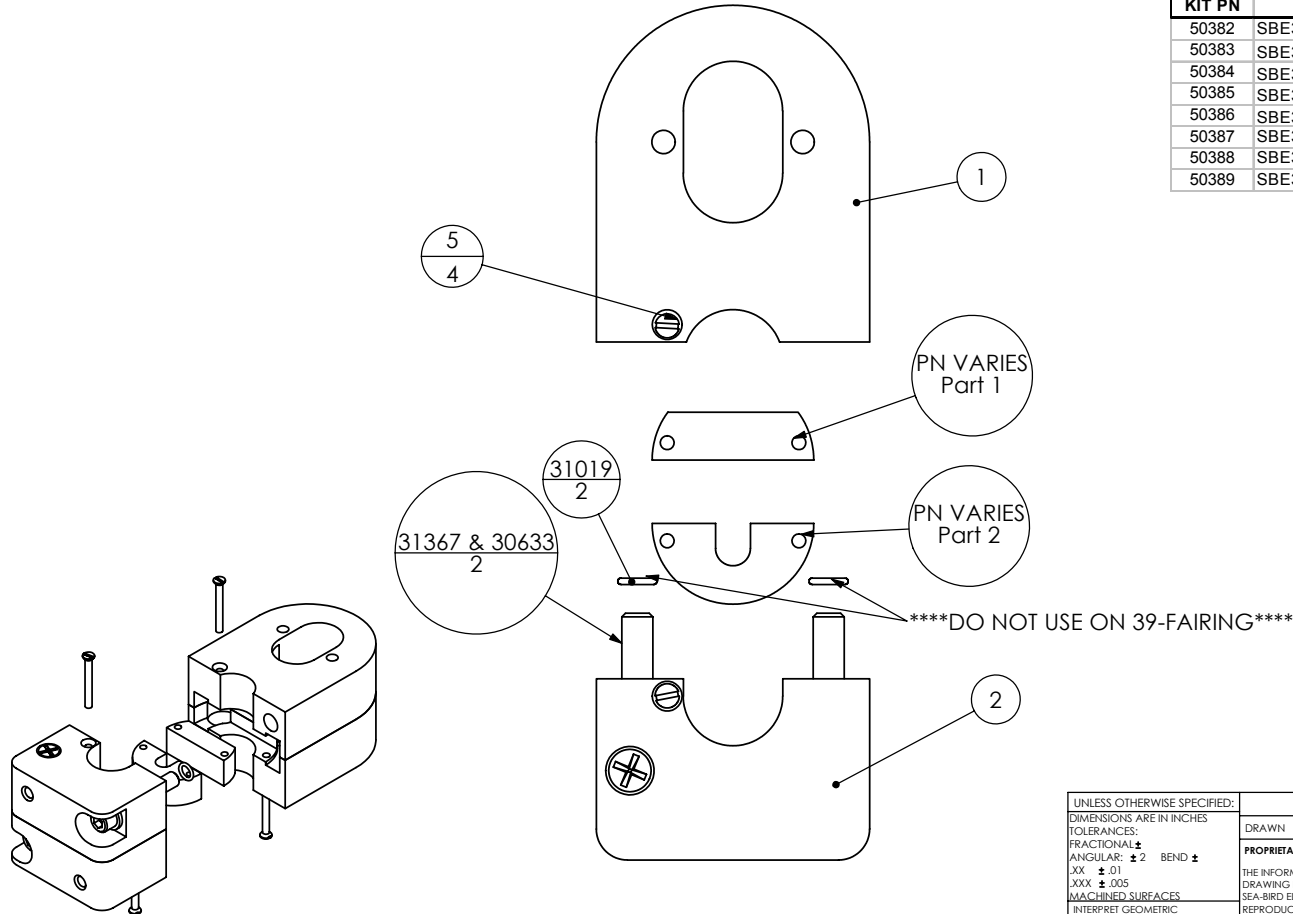


UNLESS OTHERWISE SPECIFIED: DIMENSIONS ARE IN INCHES TOLERANCES: FRACTIONAL ± ANGULAR: ± 2 BEND ± .XX ± .01 .XXX ± .005 MACHINED SURFACES INTERPRET GEOMETRIC TOLERANCING PER: ANSI Y14.5M - 1994	NAME	DATE	SEA-BIRD ELECTRONICS, INC. 1808 - 136th PLACE NE, BELLEVUE, WA 98005 425-643-9866
	DRAWN	AKM 01/06/05	
MATERIAL #	PROPRIETARY AND CONFIDENTIAL		TITLE:
	THE INFORMATION CONTAINED IN THIS DRAWING IS THE SOLE PROPERTY OF SEA-BIRD ELECTRONICS, INC. ANY REPRODUCTION IN PART OR AS A WHOLE WITHOUT THE WRITTEN PERMISSION OF SEA-BIRD ELECTRONICS, INC. IS PROHIBITED.		SBE39 v2 CABLE CLAMP MOUNT KIT ASSY
FINISH N/A	COMMENTS: DEBUR AND BREAK SHARP EDGES		P/N: see table
DO NOT SCALE DRAWING	Old Part/Draw Info 67041 /67041	SIZE B	DWG. NO. 41396A
		REV A	SHEET 1 OF 1

ITEM NO.	PART NUMBER	Drawing Number	DESCRIPTION	QTY.
1	801550	41391	SBE39-IM POTTED MODEM/BATTERY ENDCAP ASSY	1
2	801551	41392	SBE39-IM ENDCAP CLAMP ASSY	1
PN Varies	231575	21509	MIM uCAT CABLE GUIDE PT 1, 1/4" v3 /21509B	1
PN Varies	231576	21510	MIM uCAT CABLE GUIDE PT 2, 1/4" v3 /21510B	1
5	31020		Mach Screw, 4-40 x 1" SS, FH, Slotted	4

REVISIONS				
ZONE	REV.	DESCRIPTION	DATE	APPROVED

KIT PN	KIT DESCRIPTION
50382	SBE39 CABLE CLAMP KIT, 1/4"
50383	SBE39 CABLE CLAMP KIT, 5/16" & 8mm
50384	SBE39 CABLE CLAMP KIT, 3/8"
50385	SBE39 CABLE CLAMP KIT, 1/2"
50386	SBE39 CABLE CLAMP KIT, 5/8" & 16 mm
50387	SBE39 CABLE CLAMP KIT, 6mm
50388	SBE39 CABLE CLAMP KIT, 10mm
50389	SBE39 CABLE CLAMP KIT, 12mm



UNLESS OTHERWISE SPECIFIED:		NAME	DATE	SEA-BIRD ELECTRONICS, INC.	
DIMENSIONS ARE IN INCHES		DRAWN	AKM 01/06/05	1808 - 136th PLACE NE, BELLEVUE, WA 98005	
TOLERANCES:		PROPRIETARY AND CONFIDENTIAL		425-643-9866	
FRACTIONAL ±		THE INFORMATION CONTAINED IN THIS DRAWING IS THE SOLE PROPERTY OF SEA-BIRD ELECTRONICS, INC. ANY REPRODUCTION IN PART OR AS A WHOLE WITHOUT THE WRITTEN PERMISSION OF SEA-BIRD ELECTRONICS, INC. IS PROHIBITED.		TITLE:	
ANGULAR: ± 2 BEND ±				SBE 39 IM CABLE CLAMP ASSEMBLY KIT	
XX ± .01				P/N: 41397	
XXX ± .005				SIZE DWG. NO.	
MACHINED SURFACES				B 41397	
INTERPRET GEOMETRIC TOLERANCING PER: ANSI Y14.5M - 1994		COMMENTS:		REV	
		DEBUR AND BREAK SHARP EDGES			
MATERIAL #		Old Part/Draw Info			
FINISH N/A		- /-		SCALE: 1:1	
DO NOT SCALE DRAWING				SHEET 1 OF 1	