



SEA-BIRD ELECTRONICS, INC.

1808 136th Place N.E., Bellevue, Washington 98005 USA
Telephone: (425) 643-9866 Telex: 292915 SBEI UR
Fax: (425) 643-9954 email: seabird@seabird.com

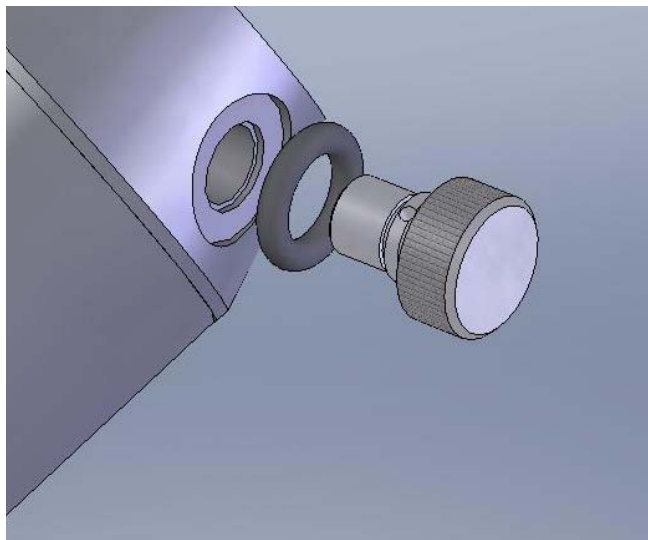
SBE P/N 50425

DATE	REV	REVISION RECORD	AUTH	DR	CHK

SBE Water Bottle Air Bleed Kit

Kit Contents

SBE P/N	Part Description	Primary SBE Application	QTY
233588	SBE55 Water Bottle, Air Bleed Valve	Installs into air bleed port on water bottle	1
31649	O-ring, Parker 2-312 N674-70	Seals air bleed valve to water bottle	1



Procedure for Installing Air Bleed Valve

1. Image shows an exploded view of the air bleed valve.
2. Place the o-ring into the groove in the water bottle where the air bleed is installed.
3. Screw the air bleed valve into the water bottle until it is snug with the o-ring.

Parent Part Number:
SBE Drawings:
Related Assembly:
Drawings:

Sea-Bird Electronics Procedure
PROCEDURE NUMBER: **67183**
TITLE: **SBE PN 50425 SBE Water Bottle Air Bleed Kit**
REVISION:
EFFECTIVE DATE: **07/03/2007**
CHECKED BY: PC PAGE 1 of 1