



SEA-BIRD ELECTRONICS, INC.

1808 136th Place N.E., Bellevue, Washington 98005 USA
Telephone: (425) 643-9866 Telex: 292915 SBEI UR
Fax: (425) 643-9954 email: seabird@seabird.com

SBE P/N 50426

| DATE | REV | REVISION RECORD | AUTH | DR | CHK |
|------|-----|-----------------|------|----|-----|
| | | | | | |
| | | | | | |

SBE Water Bottle O-Ring Kit

Kit Contents

| SBE P/N | Part Description | Primary SBE Application | QTY |
|---------|------------------------------|---|-----|
| 30390 | O-ring, Parker 2-012 N674-70 | Seals drain fitting to bottle, secures fitting and ring | 3 |
| 31188 | O-ring, Parker 2-336 N674-70 | Seals both caps to water bottle | 2 |
| 31649 | O-ring, Parker 2-312 N674-70 | Seals air bleed valve to water bottle | 1 |

Procedure for Installing O-rings

Refer to drawing 801714

A. Drain Fitting

1. Install two o-rings into the two o-ring grooves furthest from the tapered end of the barb.
2. Insert the tapered end of the barb into the drain hole of the bottle from the inside.
3. Slide the ring over the barb and onto the guide pin until it is seated.
4. Install the last o-ring onto the remaining o-ring groove on the barb.

B. Caps

1. Install each o-ring into the o-ring groove in either end of the water bottle.
2. Install cap onto water bottle.

C. Air Bleed Valve

1. Place the o-ring into the groove in the water bottle where the air bleed is installed.
2. Screw the air bleed valve into the water bottle until it is snug with the o-ring.

Parent Part Number:

SBE Drawings:

801714

Related Assembly:

Drawings:

Sea-Bird Electronics Procedure

PROCEDURE NUMBER: **67184**

TITLE: **SBE PN 50426 SBE Water Bottle O-ring Kit**

REVISION:

EFFECTIVE DATE: **07/03/2007**

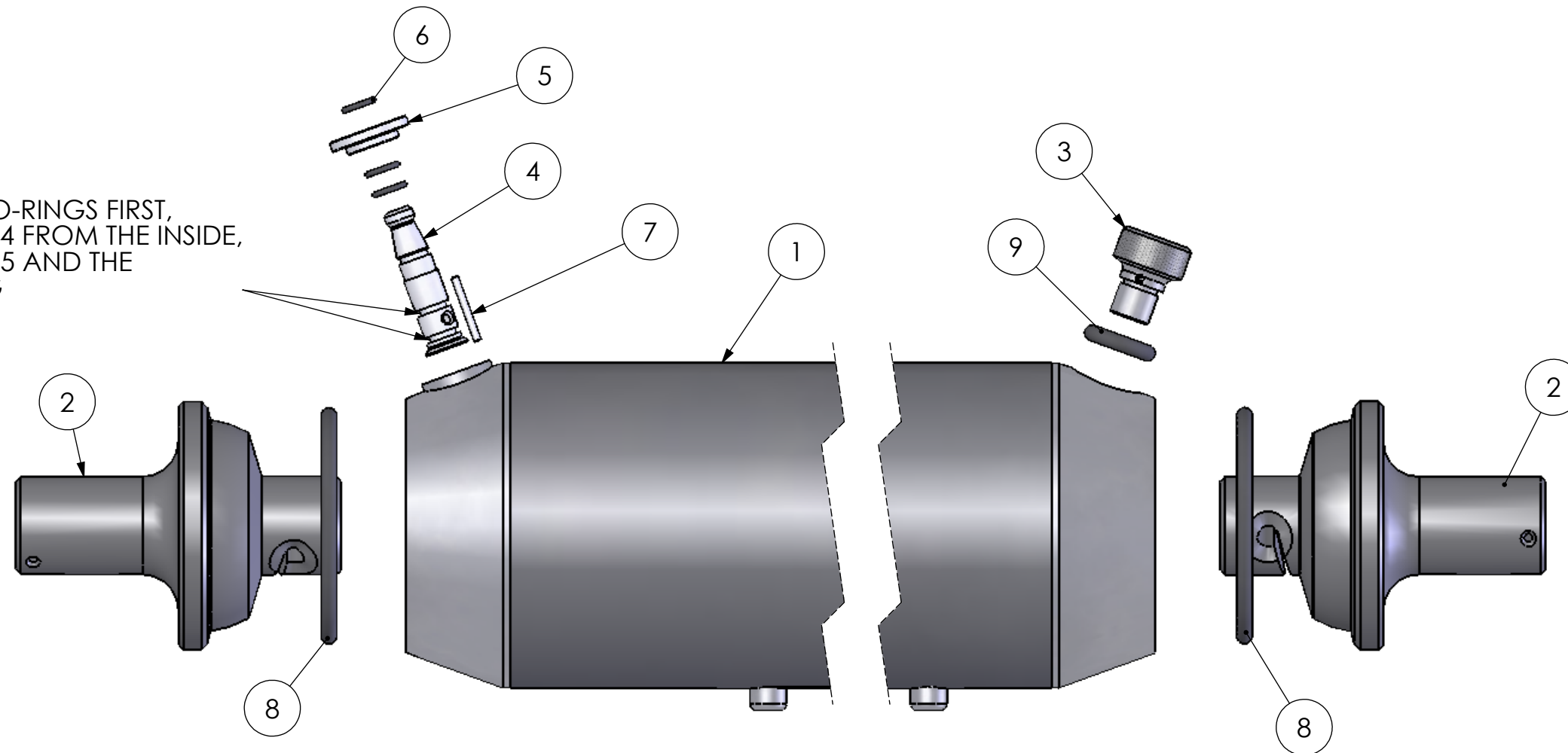
CHECKED BY: **PC**

PAGE 1 of 1

| ITEM NO. | PART NUMBER | DESCRIPTION | QTY. |
|----------|-------------|--|------|
| 1 | 233581 | Water Sample Bottle, 4 Liter, Glued Assembly | 1 |
| 2 | 233587 | Water Sample Bottle, 4 Liter, Cap | 2 |
| 3 | 233588 | Water Sample Bottle, 4 Liter, Air Bleed Knob | 1 |
| 4 | 233589 | Water Sample Bottle, 4 Liter, Drain Fitting Barb | 1 |
| 5 | 233590 | Water Sample Bottle, 4 Liter, Drain Fitting Ring | 1 |
| 6 | 30390 | O-RING, 2-012 | 3 |
| 7 | 31638 | Dowel Pin, 2.5mm x 24mm, SS | 1 |
| 8 | 31188 | O-RING, Parker 2-336 N674-70 | 2 |
| 9 | 31649 | O-RING, PARKER 2-312 EP-674 | 1 |

| REV | ZONE | DESCRIPTION | DATE | AUTH |
|-----|------|-------------|------|------|
| | | | | |
| | | | | |

INSTALL THESE O-RINGS FIRST,
THEN INSTALL #4 FROM THE INSIDE,
LAST, INSTALL #5 AND THE
KEEPER O-RING



| | | | | | |
|---|--|---|------|--|---|
| UNLESS OTHERWISE SPECIFIED: | | NAME | DATE | SEA-BIRD ELECTRONICS, INC. | |
| DIMENSIONS ARE IN INCHES | | DRAWN | JJB | 4/18/07 | 1808 - 136th PLACE NE, BELLEVUE, WA 98005 |
| TOLERANCES: | | PROPRIETARY AND CONFIDENTIAL | | 425-643-9866 | |
| FRACTIONAL ± | | THE INFORMATION CONTAINED IN THIS DRAWING IS THE SOLE PROPERTY OF SEA-BIRD ELECTRONICS, INC. ANY REPRODUCTION IN PART OR AS A WHOLE WITHOUT THE WRITTEN PERMISSION OF SEA-BIRD ELECTRONICS, INC. IS PROHIBITED. | | TITLE: | |
| ANGULAR: ± 2 BEND ± | | COMMENTS: | | Water Sample Bottle, 4 Liter, Assembly | |
| .XX ± .01 TYP RAD .015 | | DEBUR AND BREAK SHARP EDGES | | P/N: 801714 | |
| .XXX ± .005 | | Old Part/Draw Info | | SIZE | DWG. NO. |
| MACHINED SURFACES | | N/A /N/A | | B | 801714 |
| INTERPRET GEOMETRIC TOLERANCING PER: ANSI Y14.5M - 1994 | | DO NOT SCALE DRAWING | | SCALE: 1:2 | REV |
| MATERIAL | | N/A | | SHEET 1 OF 1 | |
| FINISH | | N/A | | REV | |