



SEA-BIRD ELECTRONICS, INC.

1808 136th Place N.E., Bellevue, Washington 98005 USA
Telephone: (425) 643-9866 Telex: 292915 SBEI UR
Fax: (425) 643-9954 email: seabird@seabird.com

SBE P/N 50124

DATE	REV	REVISION RECORD	AUTH	DR	CHK

SBE32 Cage Mount Kit (Ring Top)

Kit Contents

SBE P/N	Part Description	Primary SBE Application	QTY
23767	SBE 32/25 Cage Insulator Bushing	Insulates retaining bolt from cage	1
23768	SBE 32/25 Cage Retainer Ring	Retains cage to carousel	1
23769	SBE 32/25 Cage Ring Insulator	Insulates cage ring from carousel	1
30175	Mach Screw, 10-24 x 5/8 FH, SS	Secures retainer ring to ring insulator	2

Procedure for Installing Ring Top Cage

Refer to drawing 41601

A. Prepare ring top cage for installation

1. Orient the ring top cage in relation to the carousel as shown in the drawing.
2. Place the cage ring insulator into the ring on the cage with the notch facing the bars of the cage.
3. Place the retainer ring onto the opposite side of the ring and secure it with two 10-24 x 5/8 flat head screws (30175).
4. Insert the insulator bushing into the large hole on the retainer ring.

B. Install cage onto carousel

1. Use the hardware for installing a 9plus cage to secure the ring top cage to the carousel.

Parent Part Number:

SBE Drawings:

41601

Related Assembly:

Drawings:

Sea-Bird Electronics Procedure

PROCEDURE NUMBER: **67186**

TITLE: **SBE PN 50124 SBE32 Cage Mount Kit (Ring Top)**

REVISION:

EFFECTIVE DATE: **07/05/2007**

CHECKED BY: **PC**

PAGE 1 of 1

ITEM NO.	PART NUMBER	Drawing Number	DESCRIPTION	QTY.
1	23767	22306	SBE 32/25 Cage Insulator Bushing	1
2	23768	20788	SBE 32/25 Cage Retainer Ring	1
3	23769	20789	SBE 32/25 Cage Ring Insulator	1
4	30175	N/A	MACH SCREW, 10-24 X 5/8 FH, SS	2

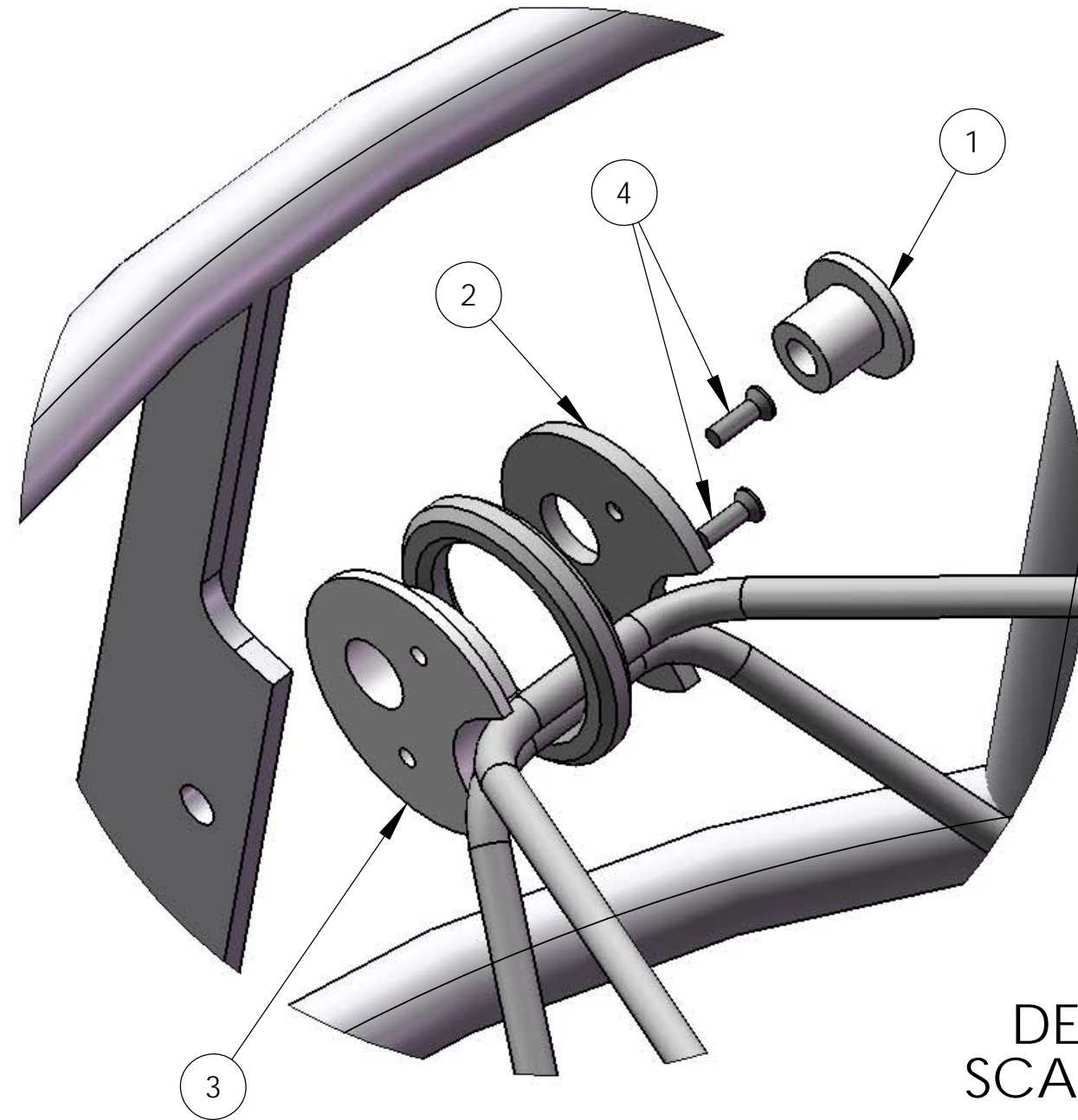
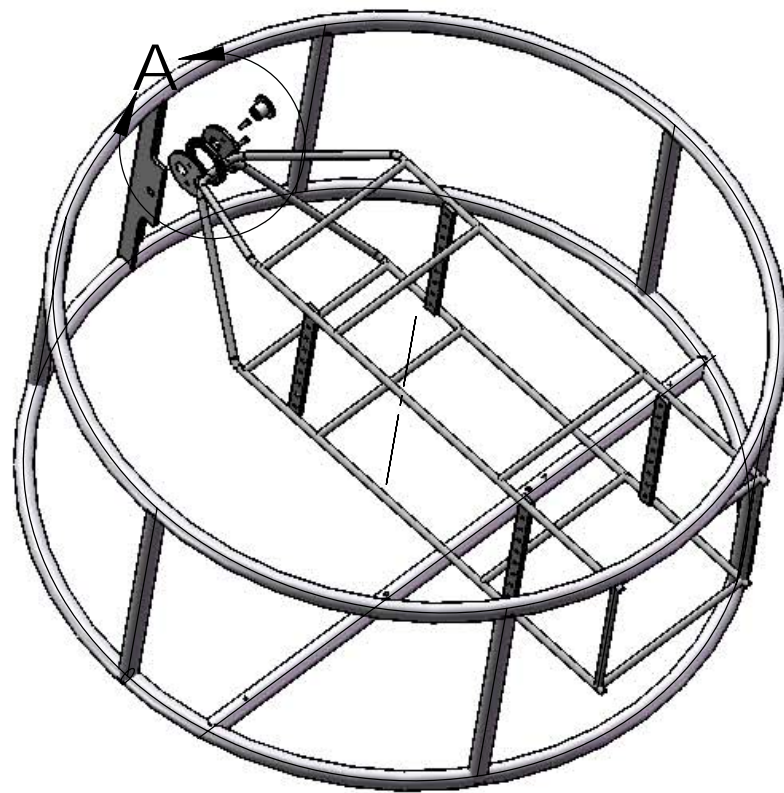
DATE	REV	DESCRIPTION	AUTH	DR	CK.

D

C

B

A



DETAIL A
SCALE 1 : 1.5

UNLESS OTHERWISE SPECIFIED:		NAME	DATE	SEA-BIRD ELECTRONICS, INC.	
DIMENSIONS ARE IN INCHES		DRAWN	PC	07/05/07	1808 - 136th PLACE NE, BELLEVUE, WA 98005
TOLERANCES:		PROPRIETARY AND CONFIDENTIAL		425-643-9866	
FRACTIONAL ±		THE INFORMATION CONTAINED IN THIS DRAWING IS THE SOLE PROPERTY OF SEA-BIRD ELECTRONICS, INC. ANY REPRODUCTION IN PART OR AS A WHOLE WITHOUT THE WRITTEN PERMISSION OF SEA-BIRD ELECTRONICS, INC. IS PROHIBITED.		TITLE:	
ANGULAR: ± 2 BEND ±		COMMENTS:		SBE32 Cage Mount Kit (Ring Top)	
.XX ± .01 TYP RAD .015		DEBUR AND BREAK SHARP EDGES		P/N: 50124	
.XXX ± .005		Old Part/Draw Info		SIZE	DWG. NO.
MACHINED SURFACES		N/A /N/A		B	41601
INTERPRET GEOMETRIC TOLERANCING PER: ANSI Y14.5M - 1994		DO NOT SCALE DRAWING		SCALE: 1:10	REV
MATERIAL		N/A		SHEET 1 OF 1	
FINISH		N/A			

8

7

6

5

4

3

2

1

D

C

B

A