



# SEA-BIRD ELECTRONICS, INC.

1808 136th Place N.E., Bellevue, Washington 98005 USA  
Telephone: (425) 643-9866 Telex: 292915 SBEI UR  
Fax: (425) 643-9954 email: seabird@seabird.com

SBE P/N 50102

DATE	REV	REVISION RECORD	AUTH	DR	CHK

## SBE26 Seagauge Mounting Fixture

### Kit Contents

SBE P/N	Part Description	Primary SBE Application	QTY
23549	20578A	Base for mounting SBE26	1
23550	20579	Provides support for SBE26, attaches to mount plate	2
23551	20580B	Provides support for SBE26, attaches to mount plate	1
23564	20584C	Secures SBE26 to mount arm 2	1
30377	N/A	Secures mount arm 1 and mount arm 2 to mount plate	10
30552	N/A	Retains mooring pin on SBE26 lift-eye	1

### Procedure for Installing SBE26

*Refer to drawing 41602*

#### A. Attach mount arms

1. Hold mount plate (23549) upright such that the end with four holes is oriented as in the drawing.
2. With the hook part facing upwards, secure each mount arm 1 (23550) to the mount plate using three ¼-20 x 1-1/4 socket head cap screws (30377.)
3. With the inset part facing upwards, secure mount arm 2 (23551) to the mount plate using four ¼-20 x 1-1/4 socket head cap screw (30377.)

#### B. Attach mooring pin

1. With the SBE26's bulkhead connectors facing upwards, push the mooring pin into the lift-eye hole from the top.
2. Secure mooring pin with the retaining ring (30552.)

#### C. Install SBE26

1. Rest the SBE26 in the cradle made by the mount arm 1.
2. The mooring pin should line up with the hole on mount arm 2.
3. Screw the mooring pin into mount arm 2 until it is snug.

Parent Part Number:

SBE Drawings:

**41602**

Related Assembly:

Drawings:

### Sea-Bird Electronics Procedure

PROCEDURE NUMBER: **67188**

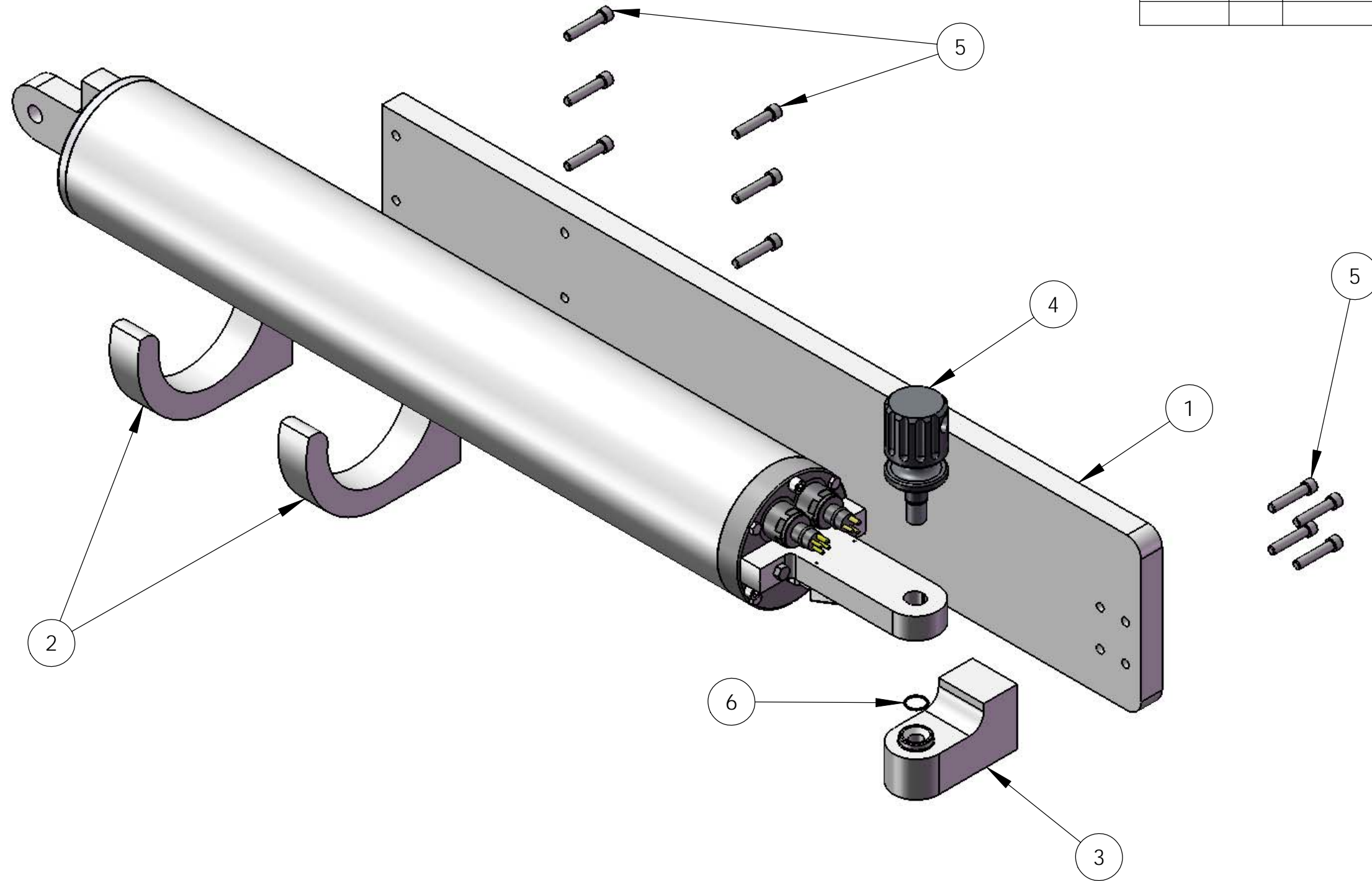
TITLE: **SBE PN 50102 SBE26 Seagauge Mounting Fixture**

REVISION:

EFFECTIVE DATE: **07/06/2007**

CHECKED BY:          PC          PAGE 1 of 1

DATE	REV	DESCRIPTION	AUTH	DR	CK.



ITEM NO.	PART NUMBER	Drawing Number	DESCRIPTION	QTY.
1	23549	20578	SBE 26 Mount Plate	1
2	23550	20579	SBE 26 Mount Arm 1	2
3	23551	20580	SBE 26 Mount Arm 2	1
4	23564	20584	SBE 26 Mooring Pin	1
5	30377	N/A	CAP SCREW, 1/4-20 X 1-1/4, SOCKET HEAD, SS	10
6	30552	N/A	Retaining Ring, Smalley WS-56-S16	1

UNLESS OTHERWISE SPECIFIED:		NAME	DATE	SEA-BIRD ELECTRONICS, INC.	
DIMENSIONS ARE IN INCHES		DRAWN	06/18/07	1808 - 136th PLACE NE, BELLEVUE, WA 98005	
TOLERANCES:		PC		425-643-9866	
FRACTIONAL ±		PROPRIETARY AND CONFIDENTIAL		TITLE:	
ANGULAR: ± 2 BEND ±		THE INFORMATION CONTAINED IN THIS DRAWING IS THE SOLE PROPERTY OF SEA-BIRD ELECTRONICS, INC. ANY REPRODUCTION IN PART OR AS A WHOLE WITHOUT THE WRITTEN PERMISSION OF SEA-BIRD ELECTRONICS, INC. IS PROHIBITED.		SBE26 Seagauge Mounting Fixture	
.XX ± .01 TYP RAD .015		COMMENTS:		P/N: 50102	
.XXX ± .005		DEBUR AND BREAK SHARP EDGES		SIZE	DWG. NO.
MACHINED SURFACES		Old Part/Draw Info		B	41602
INTERPRET GEOMETRIC TOLERANCING PER: ANSI Y14.5M - 1994		50102 /N/A		REV	
MATERIAL		SCALE: 1:10		SHEET 1 OF 1	
N/A					
FINISH					
N/A					
DO NOT SCALE DRAWING					