



# SEA-BIRD ELECTRONICS, INC.

1808 136th Place N.E., Bellevue, Washington 98005 USA  
 Telephone: (425) 643-9866 Telex: 292915 SBEI UR  
 Fax: (425) 643-9954 email: seabird@seabird.com

SBE P/N 50436

DATE	REV	REVISION RECORD	AUTH	DR	CHK

## Geotraces Carousel Spare Hardware Kit

### Kit Contents

SBE P/N	Part Description	Applications	QTY
231033	Screw Insulator, .85 OD x .1 L	Used on rosette clamp	2
30294	Screw Ins, ¼ x ¼", IN-14/4	Used on pylon	2
30790	Bolt, ¼-20 x ¾ Hex Hd, Titanium	Used on pylon	2
30864	Washer, 3/8" Split Ring Lock, Titanium	Used on lower bottle mount and rosette clamp	8
30905	Bolt, 3/8-16 – 2 ½ Hex Hd Titanium	Used on lower bottle mount	6
30910	Nut, 3/8-16 Titanium	Used on rosette clamp	2
30912	Nut, ½-13 Titanium	Used on rosette clamp	4
30914	Washer, ½ Lock Titanium	Used on rosette clamp	4
30936	Bolt, 3/8-16 x 2" Hex Hd, Titanium	Used on rosette clamp	2
30987	Nut, 3/8-16 Titanium Jam Nut	Used on lower bottle mount	6
31698	Screw Insul, 3/8 x ¼", Nylon	Used on lower bottle mount	12
31699	Screw Insul, ¾ x .312, Nylon	Used on lifting bail	2
31700	Washer, ¾, Flat, Nylon	Used on lifting bail	1
31701	Nut, ¾-10 Hex, Titanium	Used on lifting bail	2
801772	Geotraces Carousel, Lower Bottle Mnt Assy	Used on lower bottle mount	6

### APPLICATIONS:

#### Lifting Bail

SBE P/N	Part Description	Usage	QTY
31699	Screw Insul, ¾ x .312, Nylon	Insulates lifting bail from carousel frame	2
31700	Washer, ¾, Flat, Nylon	Insulates nut from carousel frame	1
31701	Nut, ¾-10 Hex, Titanium	Secures lifting bail to carousel frame	2

#### Lower Bottle Mount

SBE P/N	Part Description	Usage	QTY
30864	Washer, 3/8" Split Ring Lock, Titanium	Secures lower bottle mount to carousel frame	6
30905	Bolt, 3/8-16 – 2 ½ Hex Hd Titanium	Secures lower bottle mount to carousel frame	6
30987	Nut, 3/8-16 Titanium Jam Nut	Secures lower bottle mount to carousel frame	6
31698	Screw Insul, 3/8 x ¼", Nylon	Insulates bolt from carousel frame	12
801772	Geotraces Carousel, Lower Bottle Mnt Assy	Secures Go-Flow 12 liter bottle to carousel frame	6

#### Pylon

SBE P/N	Part Description	Usage	QTY
30294	Screw Ins, ¼ x ¼", IN-14/4	Insulates bolt from carousel frame	2
30790	Bolt, ¼-20 x ¾ Hex Hd, Titanium	Secures pylon to carousel frame	2

#### Rosette Clamp

SBE P/N	Part Description	Usage	QTY
231033	Screw Insulator, .85 OD x .1 L	Insulates nut from carousel frame	2
30864	Washer, 3/8" Split Ring Lock, Titanium	Secures rosette clamp to SBE 9plus	2
30910	Nut, 3/8-16 Titanium	Secures rosette clamp to SBE 9plus	2
30912	Nut, ½-13 Titanium	Secures rosette clamp to threaded rod and carousel frame	4
30914	Washer, ½ Lock Titanium	Secures rosette clamp to threaded rod and carousel frame	4
30936	Bolt, 3/8-16 x 2" Hex Hd, Titanium	Secures rosette clamp to SBE 9plus	2

Parent Part Number:

SBE Drawings:

**801771**

**90644**

Related Assembly:

Drawings:

## Sea-Bird Electronics Procedure

PROCEDURE NUMBER: **67198**

TITLE: **SBE PN 50436 Geotraces Carousel Spare Hardware Kit**

REVISION:

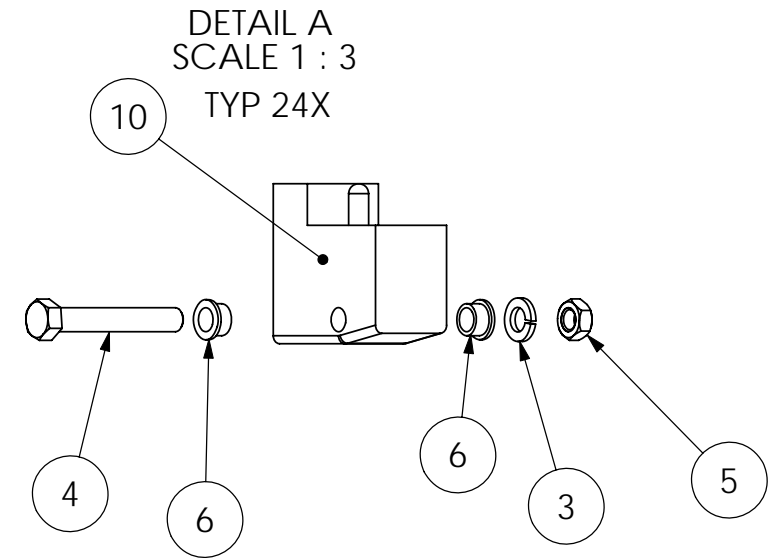
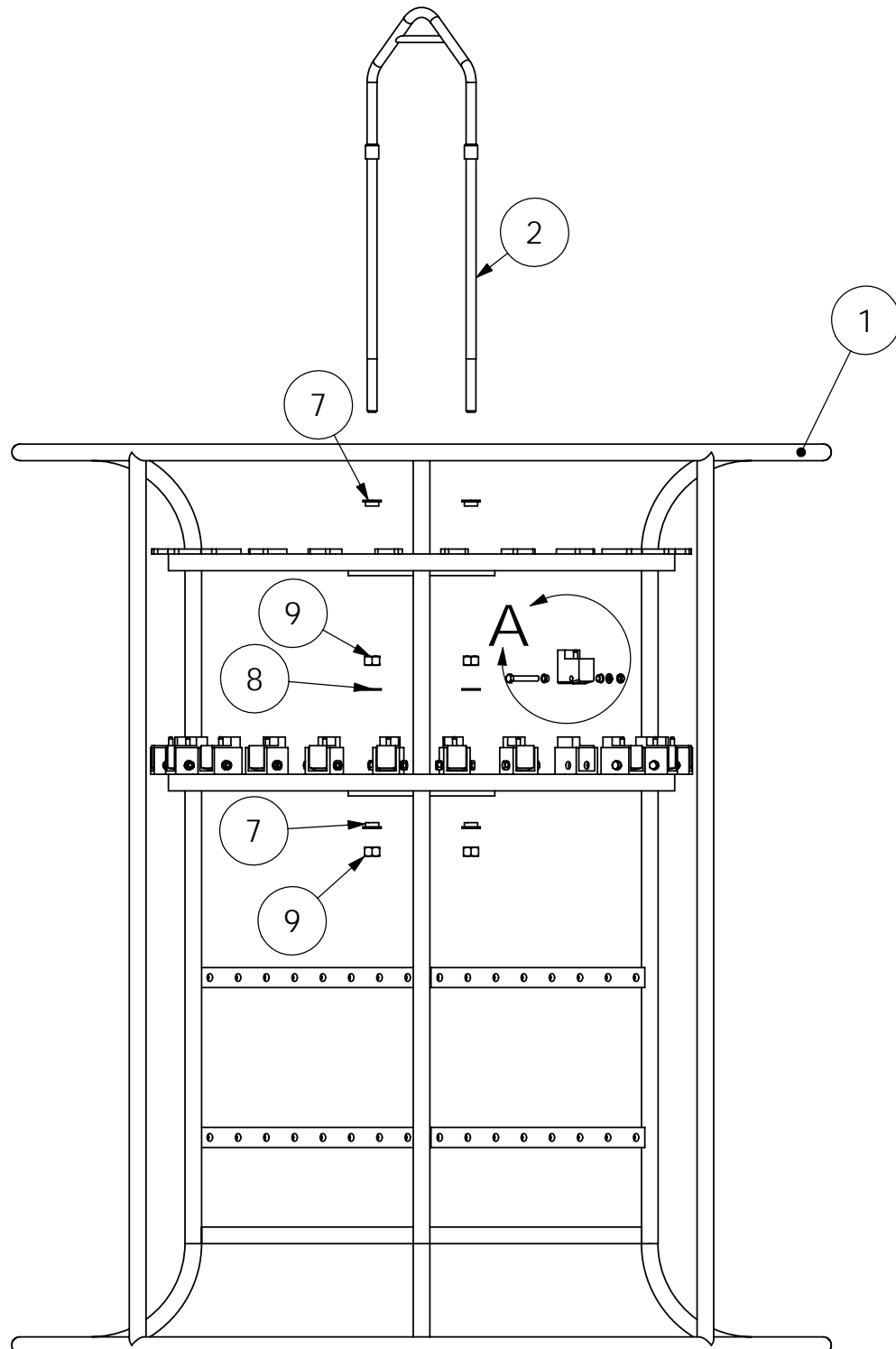
EFFECTIVE DATE: **02/29/2008**

CHECKED BY: **PC**

PAGE 1 of 1

ITEM NO.	PART NO.	DRAWING NO.	DESCRIPTION	QTY.
1	233688C	233688	Geo Traces Carousel Welded Frame Assembly 12 Liter	1
2	233698	233698	Geo Traces Carousel, Lifting Bail	1
3	30864	N/A	Washer, 3/8" Split Ring Lock, Titanium	24
4	30905	N/A	Bolt, 3/8-16 X 2 1/2 Hex Hd Titanium	24
5	30987	N/A	Nut, 3/8-16 Titanium Jam Nut	24
6	31698	N/A	Screw Insul, 3/8 X 1/4", Nylon	48
7	31699	N/A	Screw Insulator, 3/4 x .312, Nylon	4
8	31700	N/A	Washer, 3/4, Flat, Nylon	2
9	31701	N/A	Nut, 3/4-10 Hex, Titanium	4
10	801772	N/A	GEO Traces Carousel, Lower Bottle Mount Assembly	24

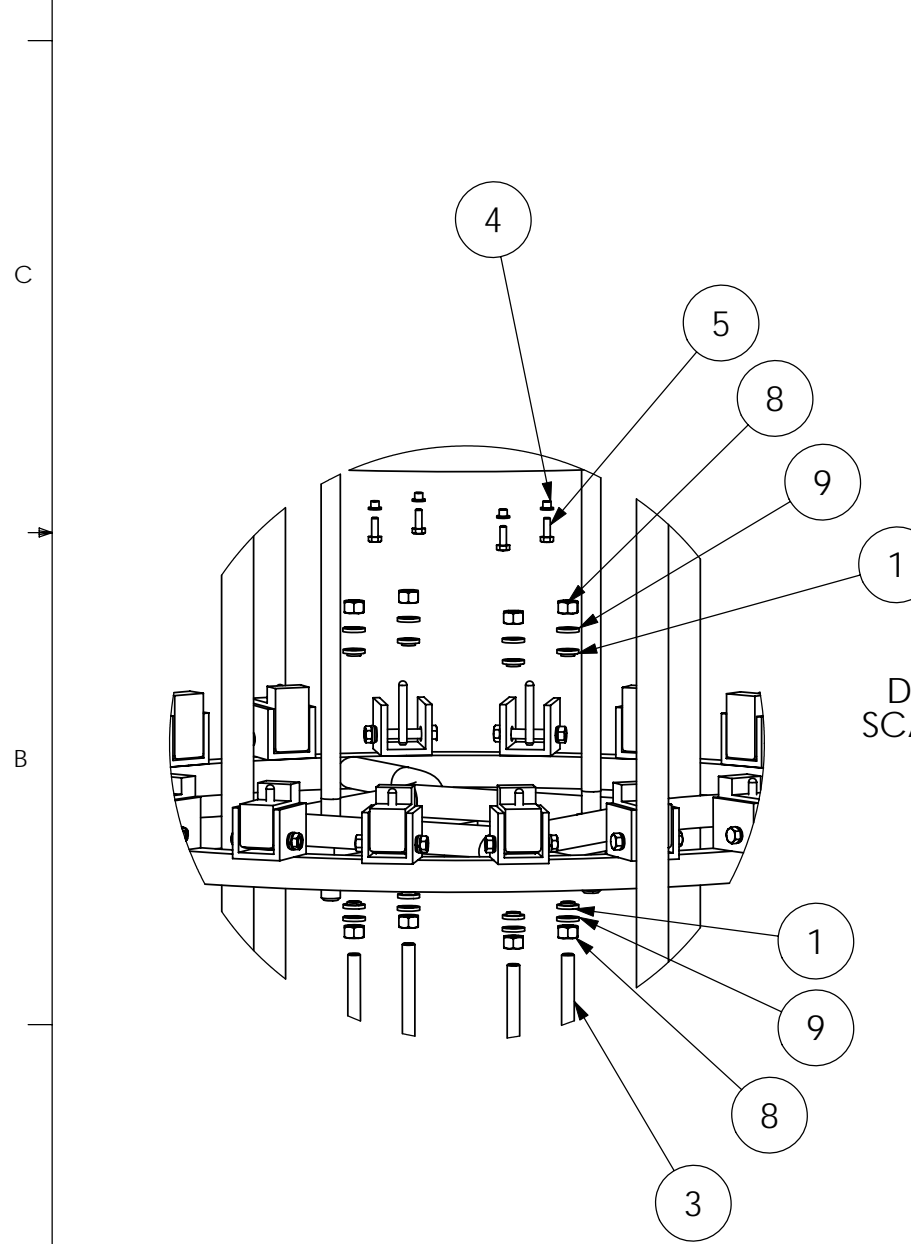
DATE	REVISION	DESCRIPTION	AUTH	DR	CHK



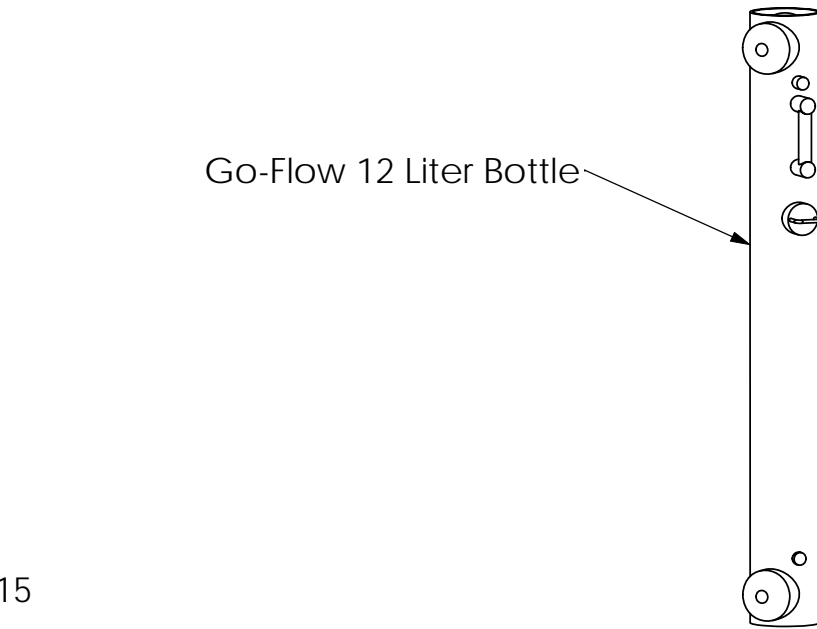
UNLESS OTHERWISE SPECIFIED:	NAME	DATE	SEA-BIRD ELECTRONICS, INC.		
DIMENSIONS ARE IN INCHES	DRAWN	JJB	11/29/07	1808 - 136th PLACE NE, BELLEVUE, WA 98005	
TOLERANCES:	PROPRIETARY AND CONFIDENTIAL		425-643-9866		
FRACTIONAL ±	THE INFORMATION CONTAINED IN THIS DRAWING IS THE SOLE PROPERTY OF SEA-BIRD ELECTRONICS, INC. ANY REPRODUCTION IN PART OR AS A WHOLE WITHOUT THE WRITTEN PERMISSION OF SEA-BIRD ELECTRONICS, INC. IS PROHIBITED.		TITLE:		
ANGULAR: ± 2 BEND ±	COMMENTS:		GEO TRACES CAROUSEL FRAME ASSEMBLY 12 LITER		
.XX ± .01 TYP RAD .015	DEBUR AND BREAK SHARP EDGES		P/N: 801771		
.XXX ± .005	Old Part/Draw Info		SIZE	DWG. NO.	REV
MACHINED SURFACES	N/A /N/A		B	801771	
INTERPRET GEOMETRIC TOLERANCING PER: ANS Y14.5M - 1994	DO NOT SCALE DRAWING		SCALE: 1:13		SHEET 1 OF 1
MATERIAL					
N/A					
FINISH					
N/A					

ITEM NO.	PART NO.	DRAWING NO.	DESCRIPTION	QTY.
1	231033	20630	Screw Insulator, .85 OD x .1L	8
2	233685	233685	SBE9plus Rosette Clamp Set, Plastic	1
3	233732	N/A	Rod, 1/2-13 Threaded CP2 Titanium, 12" Length	4
4	30294	N/A	Screw Ins, 1/4 x 1/4", IN-14/4	4
5	30790	N/A	Bolt, 1/4-20 x 3/4 Hex Hd, Titanium	4
6	30864	N/A	Washer, 3/8" Split Ring Lock, Titanium	4
7	30910	N/A	Nut, 3/8-16 Titanium	4
8	30912	N/A	Nut, 1/2-13 Titanium	16
9	30914	N/A	Washer, 1/2 Lock Titanium	16
10	30936	N/A	Bolt, 3/8-16 x 2" Hex Hd, Titanium	4
11	801771	801771	Geo Traces Carousel Frame Assembly 12 Liter	1

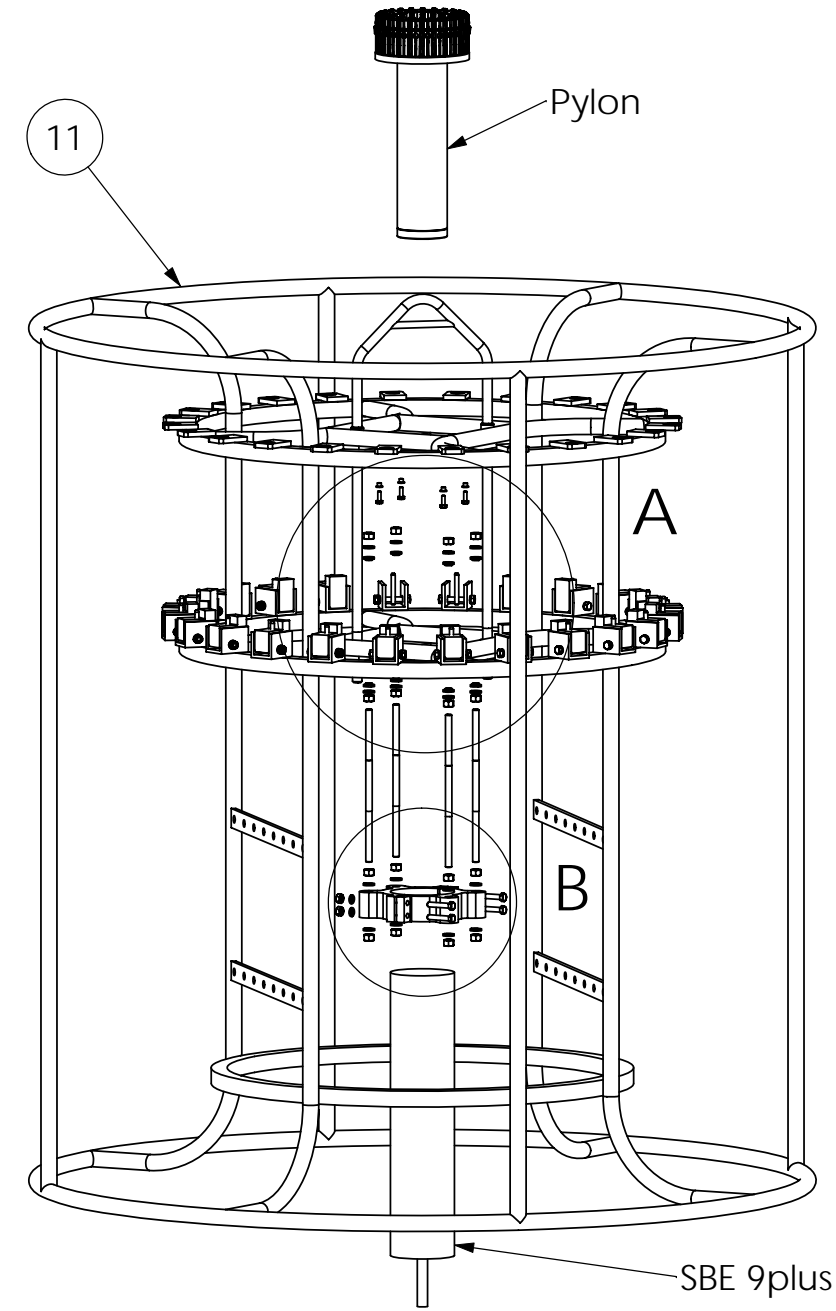
DATE	REVISION	DESCRIPTION	AUTH	DR	CHK



DETAIL A  
SCALE 2 : 15



DETAIL B  
SCALE 2 : 15



UNLESS OTHERWISE SPECIFIED: DIMENSIONS ARE IN INCHES TOLERANCES: FRACTIONAL ± ANGULAR: ± 2 BEND ± .XX ± .01 TYP RAD .015 .XXX ± .005 MACHINED SURFACES INTERPRET GEOMETRIC TOLERANCING PER: ANSI Y14.5M - 1994	NAME	DATE	SEA-BIRD ELECTRONICS, INC. 1808 - 136th PLACE NE, BELLEVUE, WA 98005 425-643-9866		
	DRAWN	JJB	1/23/08	TITLE: Geotraces Carousel Final Assembly	
MATERIAL	N/A		P/N: 90644		
FINISH	N/A		SIZE	DWG. NO.	REV
DO NOT SCALE DRAWING	N/A /N/A		B	90644	
			SCALE: 1:15	SHEET 1 OF 1	