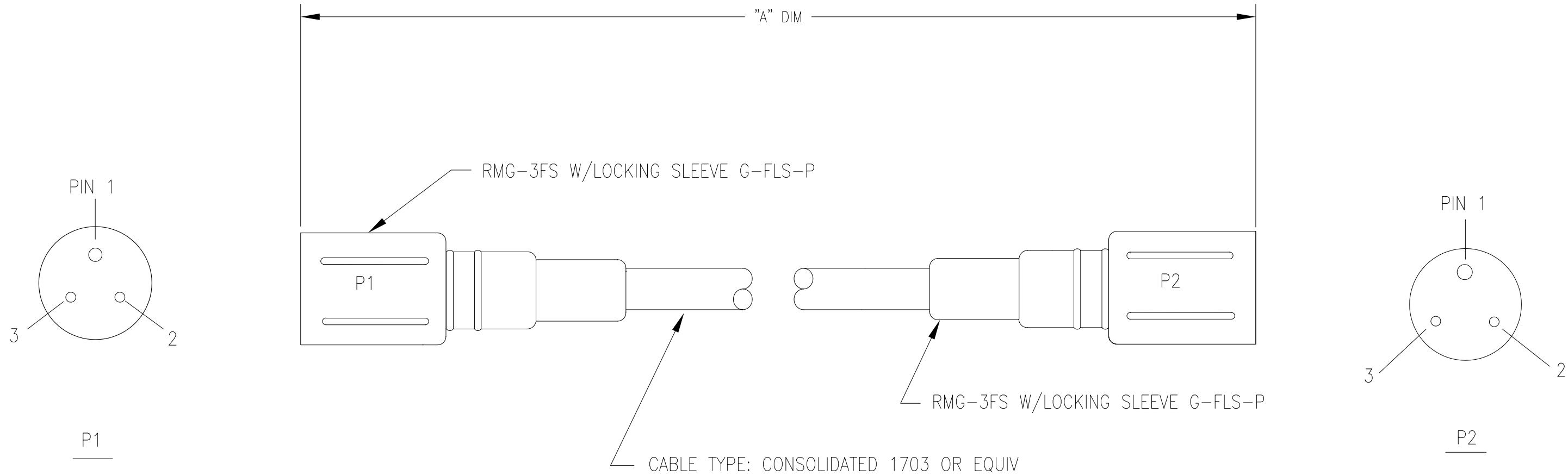


DATE	SYM	REVISION RECORD	AUTH.	DR.	CK.



SBE PART NO	A DIM	
17264	5 m	17 ft
17339	20 m	66 ft
17360	10 m	33 ft
17423	50 m	165 ft
17457	2 m	80 in
17484	4 m	158 in
17491	5 m	197 in
17515	7 m	23 ft
17559	3 m	120 in
17617	30 m	98 ft
17792	35 m	115 ft
17832	80 m	263 ft
17869	1 m	40 in
17946	1.5 m	60 in
17962	25 m	83 ft

SBE PART NO	A DIM	
171008	52 m	170 ft
171044	30 m	100 ft
171152	70 m	231 ft
171168	40 m	132 ft
171339	100 m	330 ft
171361	15 m	50 ft

P1	P2
PIN 1	PIN 1
PIN 2	PIN 2
PIN 3	PIN 3
PIN 1-SHLD-PIN 1	

TOLERANCES	<b>SEA-BIRD ELECTRONICS, INC</b>			
FRACTIONAL	P/N SEE TABLE	SCALE 1:1	DRAWN BY BMC	
DECIMAL	TITLE CABLE, 3 PIN/3 PIN RMG-3FS + L.S. (SHIELDED)			
ANGULAR	DATE 12/5/89	DRAWING NUMBER	30764	REV