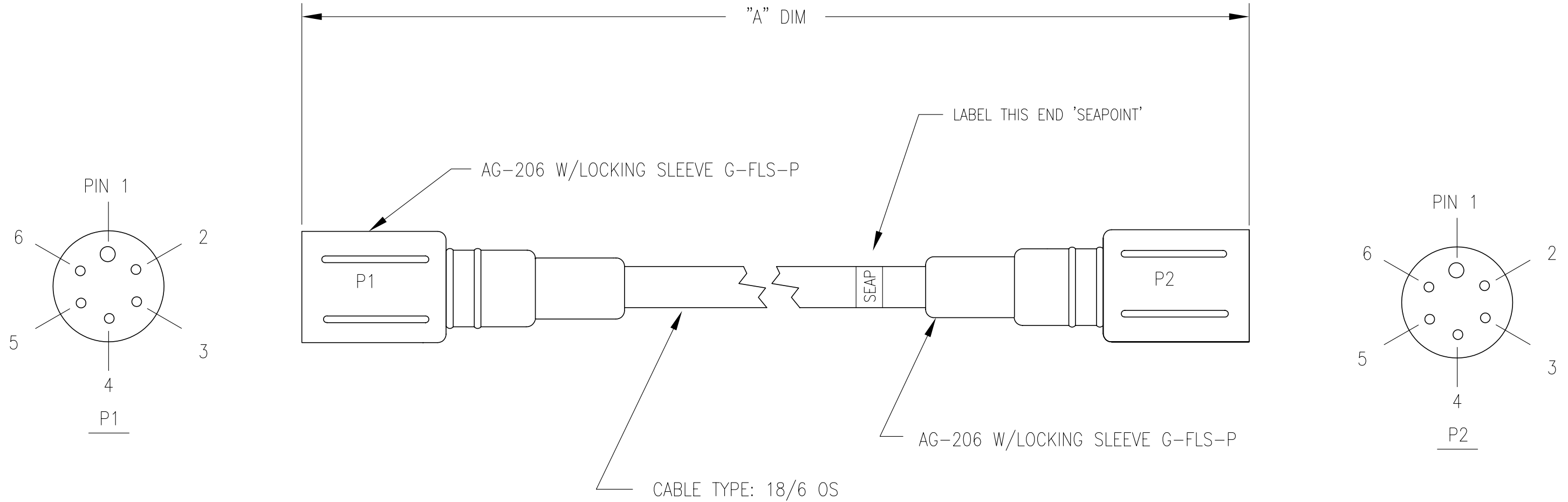


DATE	SYM	REVISION RECORD	AUTH.	DR.	CK.
7.1.97	A	ADDED GAIN TABLE		CEG	
5.11.05	B	ADDED CDOM TO TABLE	CB	KLP	



SBE PART NO	A DIM
171011	80 IN.
171845	42 IN.

P1	P2
PIN 1	PIN 1
PIN 2	PIN 2
PIN 3	PIN 3
PIN 4	--
PIN 5	--
PIN 6	PIN 4

SEAPOINT	GAIN	RANGE
TURBIDITY METER	100X	25 FTU
FLUOROMETER	30X	5 µg/l
CDOM (SUVF)	30X	50 µg/l

TOLERANCES	SEA-BIRD ELECTRONICS, INC			
FRACTIONAL	P/N SEE TABLE	SCALE NTS	DRAWN BY CEG	
DECIMAL	TITLED APPROVED BY			
ANGULAR	DATE 7.1.97	DRAWING NUMBER	31924	REV B