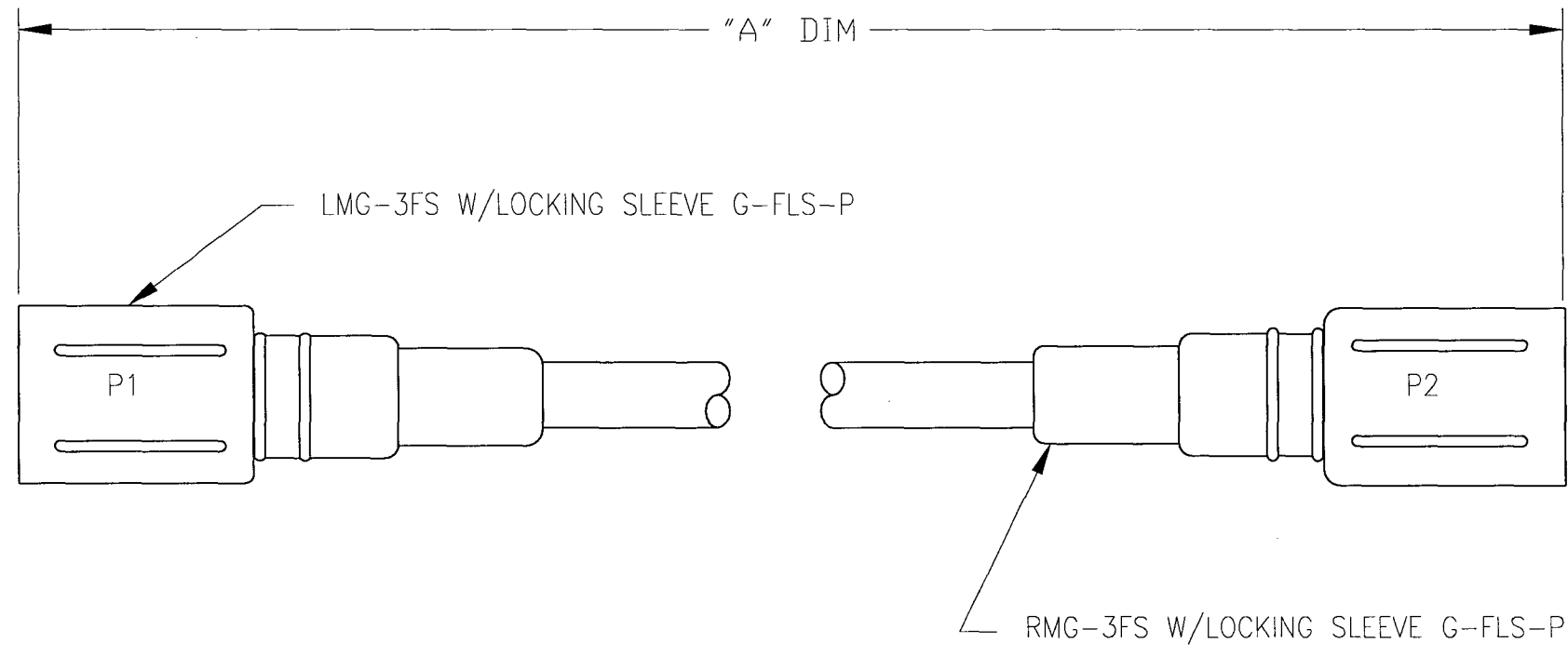


P1, P2



SBE PART NO	A DIM
171536	60 INCHES

P1	P2
PIN 1	PIN 1
PIN 2	PIN 2
PIN 3	N/C

<b>SEA-BIRD ELECTRONICS, INC</b>			
P/N	SCALE	DRAWN BY	LRG
SEE TABLE	NTS	APPROVED BY	
CABLE: 16PLUS/19PLUS TO QSP-200PD			
DATE	DWG NO.	SHEET	REV
5/04/01	32536	1 of 1	-