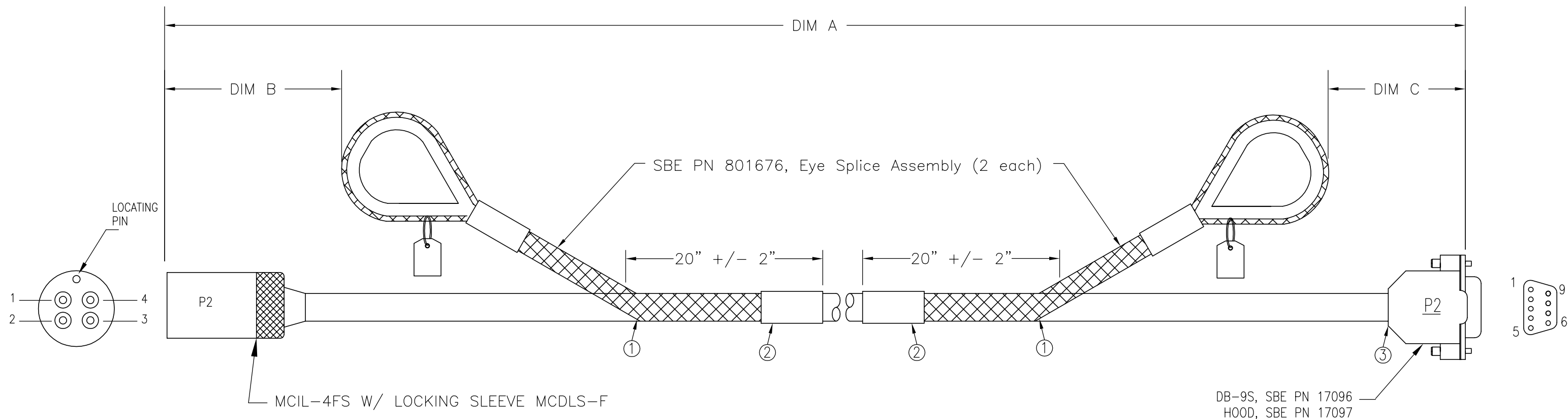


DATE	SYM	REVISION RECORD	AUTH.	DR.	CK.
03.02	A	Add Adhesive Tubing	MJ	CB	
8.29.02	B	CHANGED LENGTH	CB	KLP	
9.23.02	C	ADJ. QTY , LENGTH & PN	CB	KLP	
10.7.02	D	FIXED CONN DWG AND LS DESC	CB	KLP	
10.11.02	E	CHANGED CABLE BREAK STRENGTH	CB	KLP	
9.18.06	F	ECN 971 - COLOR CHANGE ECN 991 - PROCESS CHANGE	CB	MJ	



P1 MCIL-4FS	COLOR	ALT COLOR	P2 DB-9S
PIN 1	WHITE	WHITE	PIN 5
PIN 2	WHITE/BLACK	BLACK	PIN 3
PIN 3	WHITE/RED	RED	PIN 2
PIN 4	--	--	--

SBE PN	PIGTAIL	DIM A	DIM B	DIM C
801337	171633	330 FT	52 IN	20 FT
801338	171634	660 FT	52 IN	20 FT
801371	171707	100 FT	52 IN	20 FT
801372	171708	200 FT	52 IN	20 FT
801860	172494	165 FT	52 IN	20 FT
802028	172785	495 FT	52 IN	20 FT
802240	173013	150 FT	52 IN	20 FT

CABLE TYPE: FALMAT  
 SBE PN 171285, Pigtails per dwg 32642  
 FM020999SA1 REV. B  
 POLYURETHANE, KEVLAR REINFORCED, 3 CONDUCTOR, 22 AWG.  
 YELLOW JACKET, NOMINAL O.D. = 0.270 IN.  
 100 LBS. WORKING LOAD (45 Kg)  
 4 INCH MINIMUM BEND RADIUS (10 cm)

BRAID AND LIFT-EYE INSTALLATION

- ① BRING CABLE THROUGH BRAID  
20 +/- 2 INCHES BEHIND EYE
- ② 1/2" DIA. HEATSHRINK ADHESIVE TUBING 3", PN 31568
- ③ INSTALL CONNECTOR AFTER INSTALLING BRAIDED SPLICES

<b>SEA-BIRD ELECTRONICS, INC</b>			
P/N	SEE TABLE	SCALE	DRAWN BY
		NTS	MJ
			APPROVED BY
LOAD BEARING DATA CABLE MCIL-4FS			
DATE	DWG NO.	SHEET	REV
9.18.2006	32643	1 of 1	F