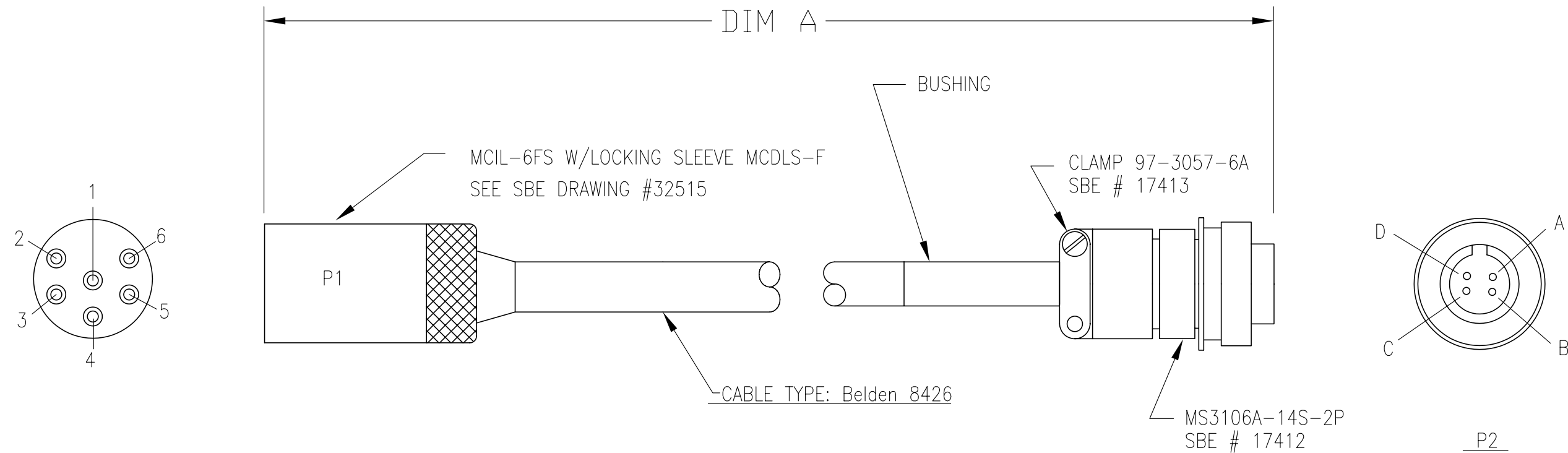


DATE	SYM	REVISION RECORD	AUTH.	DR.	CK.
9/04	A	FIX COLOR CODE	CB	CB	



P1 MCIL-6FS	P2 MS3106A	COLOR
PIN 1	A	BLACK
PIN 2	B	WHITE
PIN 3	C	RED
PIN 4	-	-
PIN 5	-	-
PIN 6	D	BROWN

SBE PN	CABLE 'A'	DIM A
801534	171513	8 FT (2.46m)

TOLERANCES	SEA-BIRD ELECTRONICS, INC			
FRACTIONAL	P/N SEE TABLE	SCALE 1:1	DRAWN BY KHH	APPROVED BY
DECIMAL	TITLE Cable Assy: MCIL-6FS to 4 pin MS			
ANGULAR	DATE 8/26/2004	DRAWING NUMBER	32962	REV A