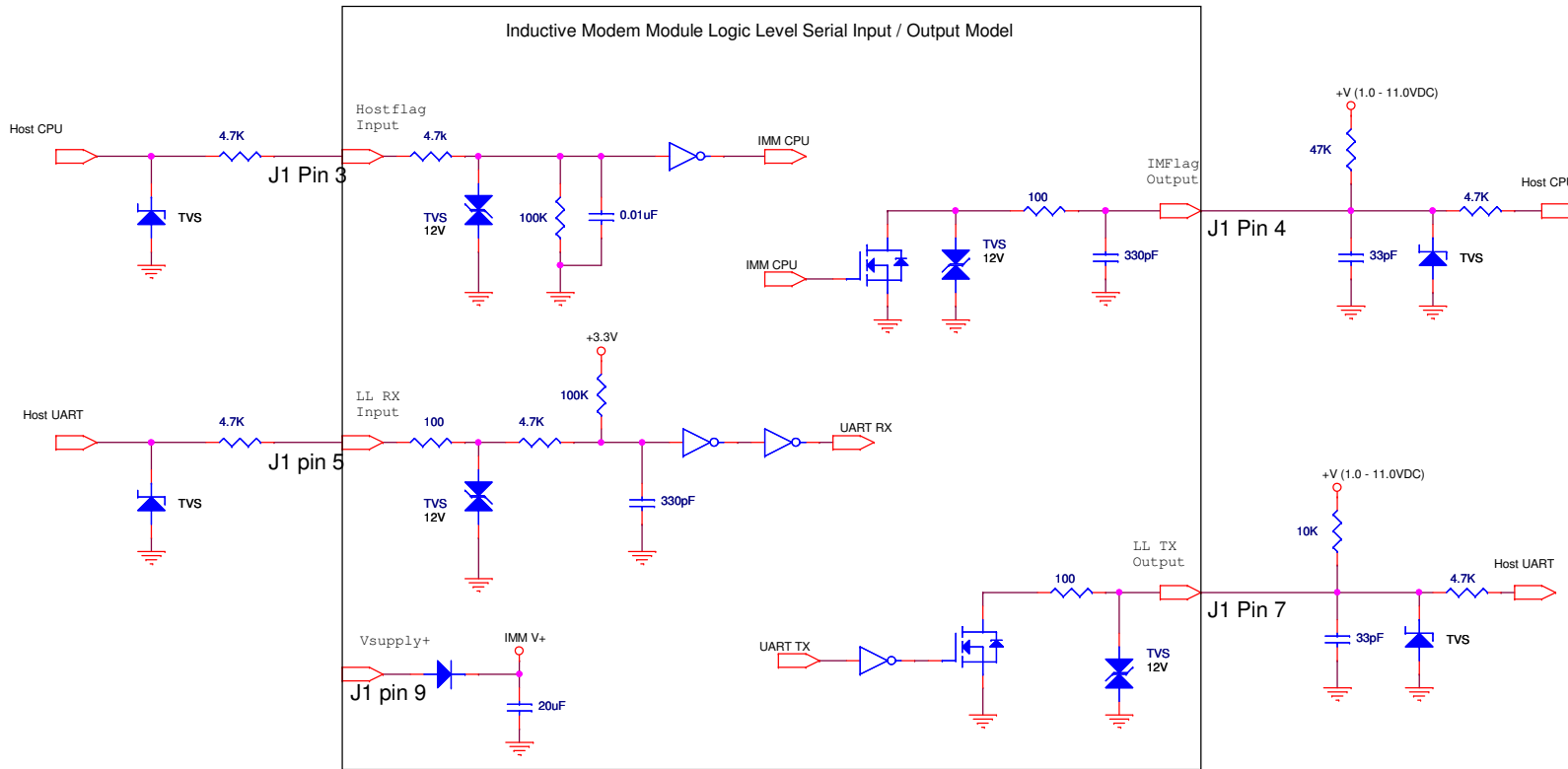


DATE	SYM	REVISION RECORD	AUTH	DR	CK
4/6/06	A	Revised for IMM V1.0	DLM	DLM	
-	-				

## IMM Logic Level Serial Recommended Host Interface Circuit



Note: Typical 12V Transient Voltage Suppressors (TVS) have 1nF capacitance. Higher voltage devices have lower capacitance.

SEA-BIRD ELECTRONICS, INC.		
ASSEMBLY: xxxxxx		
Title <b>IMM Logic Level Serial Host Interface Recommendation</b>		
Size <b>B</b>	Document Number <b>33062</b>	Rev <b>A</b>
Date: Thursday, April 06, 2006	Sheet	1 of 1