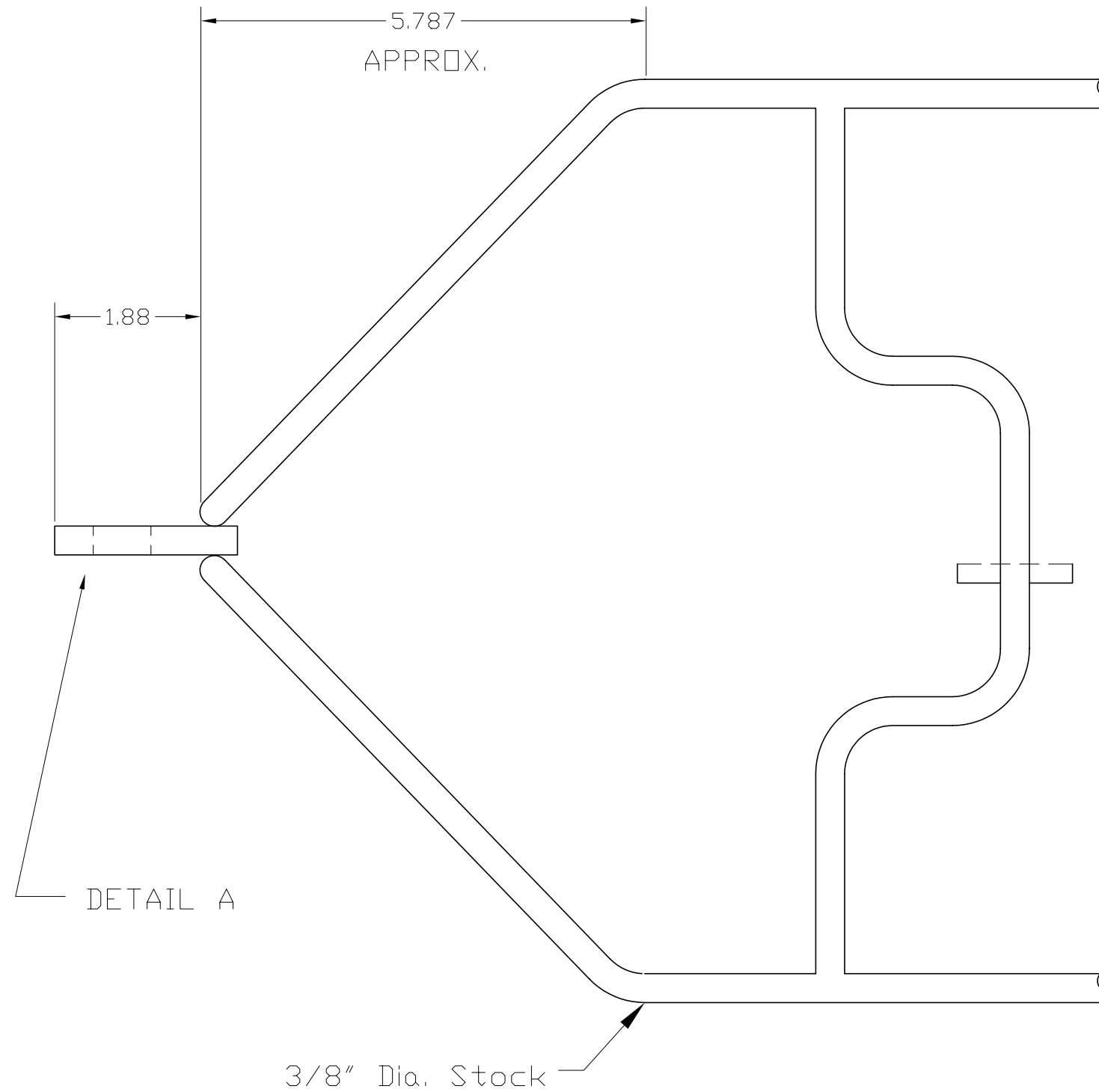
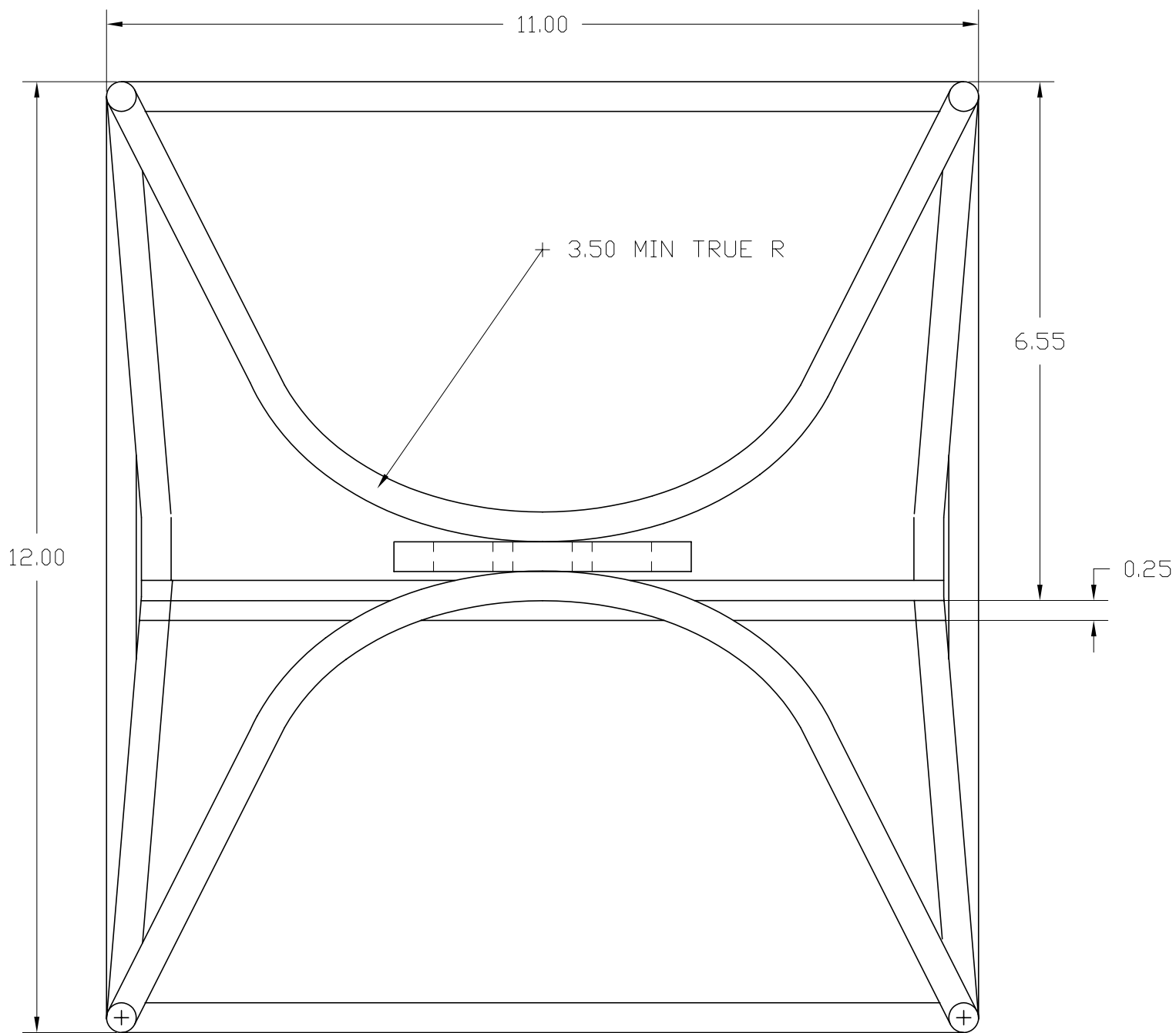
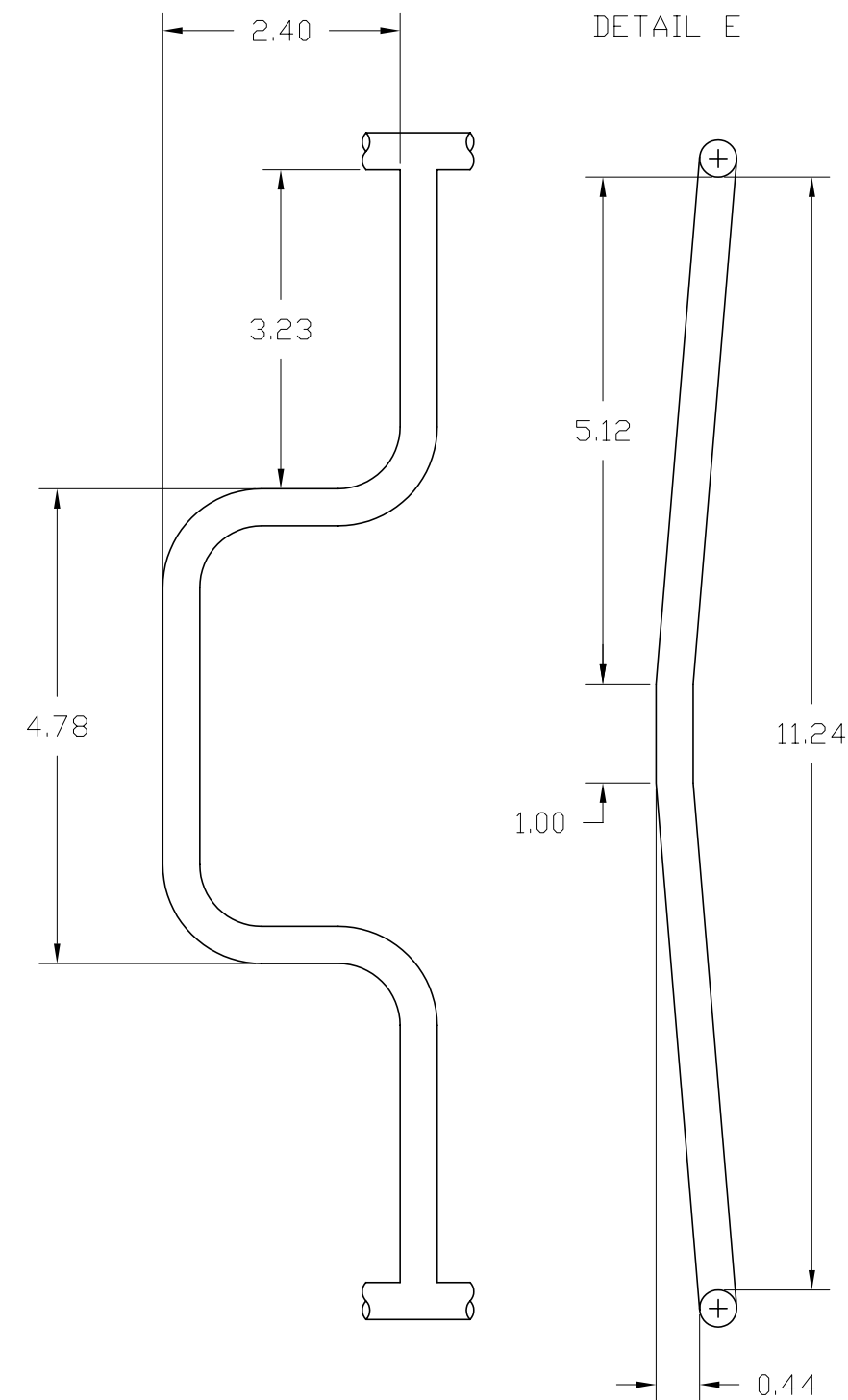
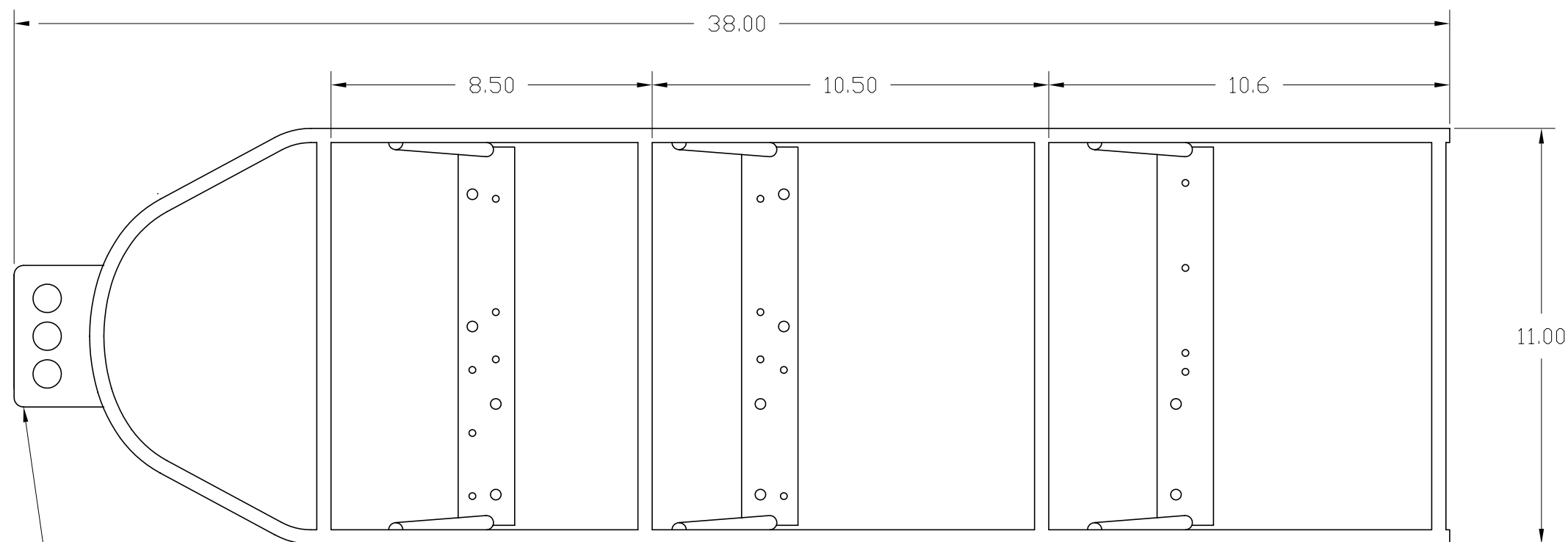
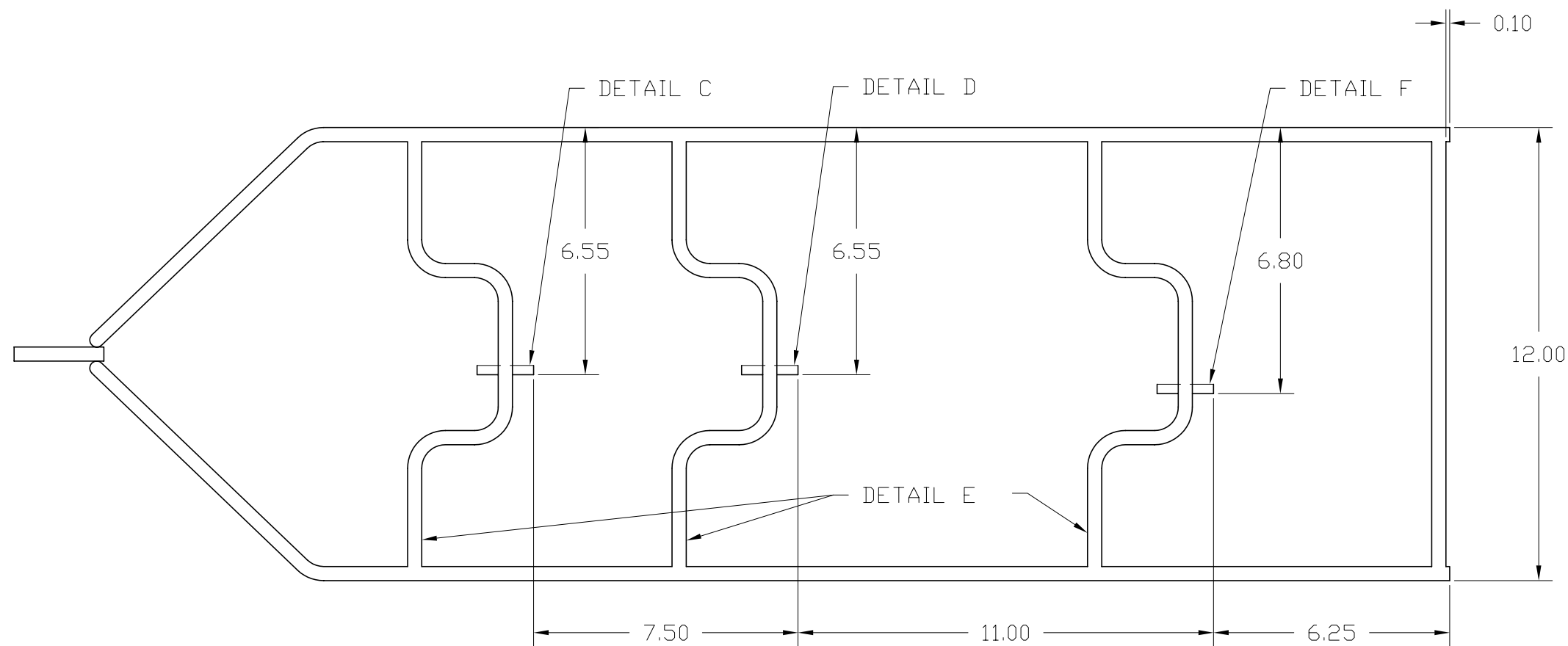


DATE	SYM	REVISION RECORD	AUTH.	DR.	CK.
8/94	A	ECN #394			
6/99	E	CHANGE DWG DESCRIPTION			
3/00	F	REMOVED 90 DEGREE BENDS		CEG	
2/05	G	ADDED WIRE DIAMETER		KHH	
7/05	G	ECN859: ADD/CORRECT DIMS	CB	CB	



TOLERANCES	SEA-BIRD ELECTRONICS, INC				
FRACTIONAL	P/N	23302	SCALE	DRAWN BY	DW
			1:2	APPROVED BY	
DECIMAL	TITLE	SBE-25 SEALOGGER			
±0.05		CTD GUARD CAGE			
ANGULAR	DATE	DRAWING NUMBER		REV	
±2°	10-3-90	SHEET 1 OF 6	20310	H	

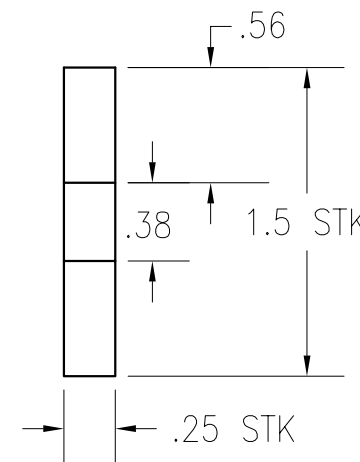
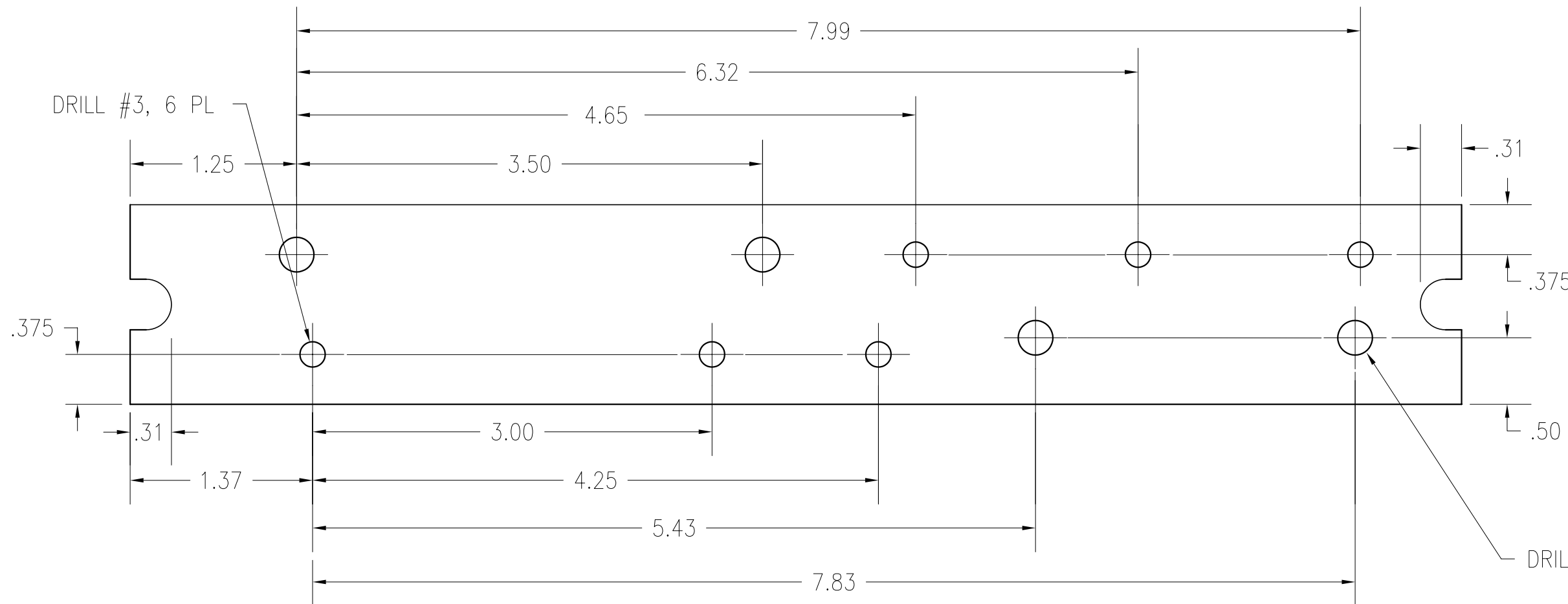
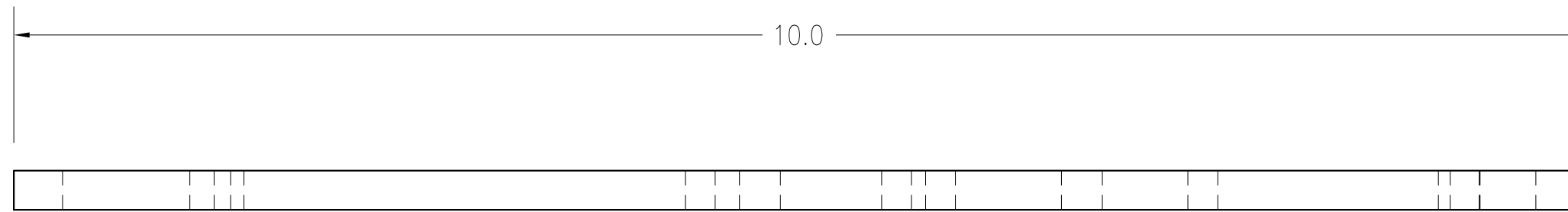
DATE	SYM	REVISION RECORD	AUTH.	DR.	CK.
8/94	A	ECN #394			
6/99	E	CHANGE DWG DESCRIPTION			
3/00	F	REMOVED 90 DEGREE BENDS		CEG	
2/05	G	ADDED WIRE DIAMETER		KHH	
7/05	G	ECN859: ADD/CORRECT DIMS	CB	CB	



TOLERANCES	SEA-BIRD ELECTRONICS, INC				
FRACTIONAL	P/N 23302	SCALE 1:4	DRAWN BY DW		
DECIMAL	TITLE SBE-25 SEALOGGER CTD GUARD CAGE				
ANGULAR	DATE 10-3-90	DRAWING NUMBER SHEET 2 OF 6	20310	REV H	

DATE	SYM	REVISION RECORD	AUTH.	DR.	CK.
8/94	A	ECN #394			
6/99	E	CHANGE DWG DESCRIPTION			
3/00	F	REMOVED 90 DEGREE BENDS		CEG	
2/05	G	ADDED WIRE DIAMETER		KHH	
7/05	H	ECN859: ADD/CORRECT DIMS	CB	CB	

DETAIL C



DRILL G, 4 PL

SAME AS DRAWING 20893A SHEET 3

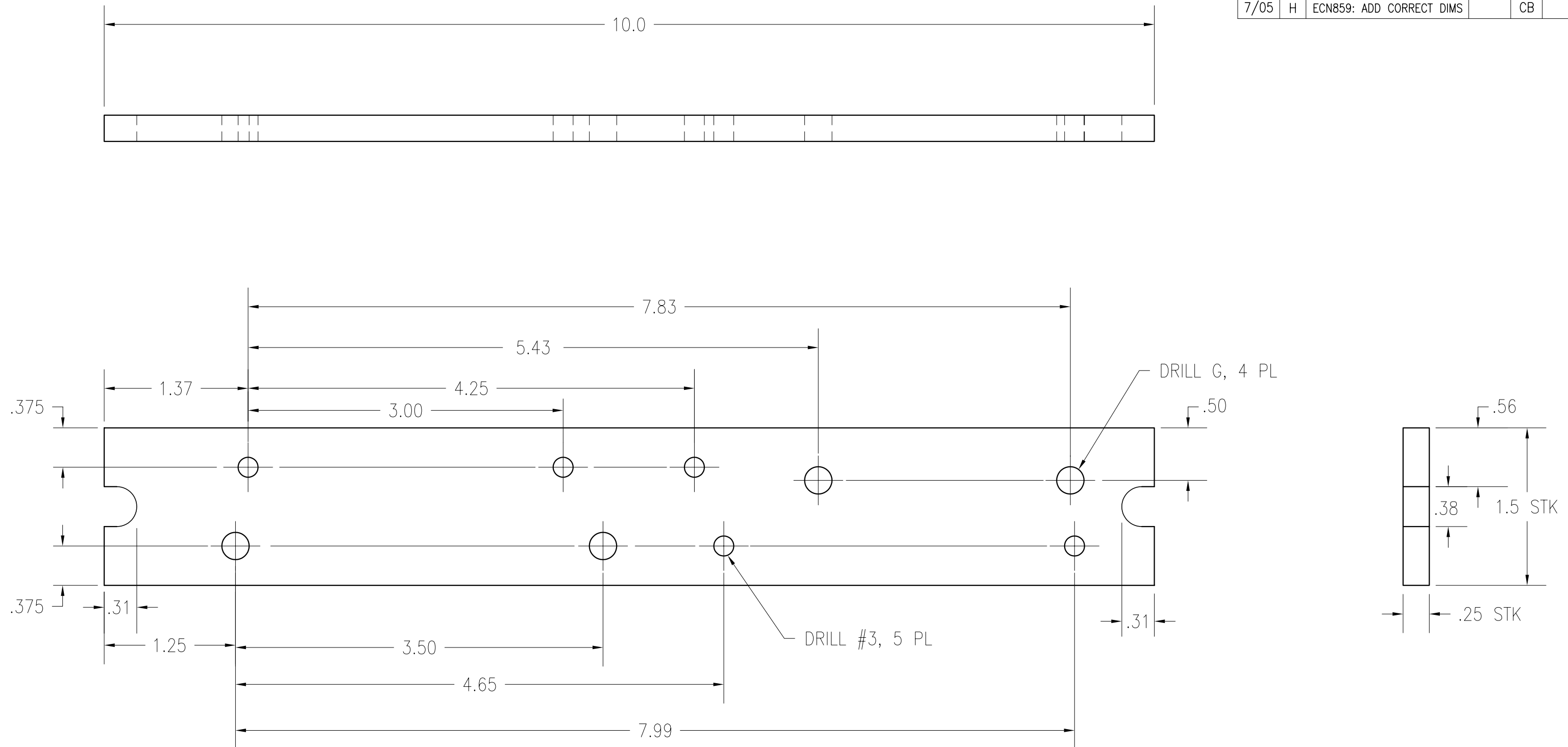
NOTES:

MATERIAL - 316 STAINLESS STEEL
 .25" X 1.5" STOCK

TOLERANCES	SEA-BIRD ELECTRONICS, INC				
FRACTIONAL	P/N 23751	SCALE 1:1	DRAWN BY DW		
DECIMAL .XXX=±.005 .XX=±.01	TITLE SBE19/25 GUARD CAGE TOP CROSS BAR				
ANGULAR	DATE 2.10.89	DRAWING NUMBER SHEET 3 OF 6	20310	REV H	

DATE	SYM	REVISION RECORD	AUTH.	DR.	CK.
8/94	A	ECN #394			
6/99	E	CHANGE DWG DESCRIPTION			
3/00	F	REMOVED 90 DEGREE BENDS		CEG	
2/05	G	ADDED WIRE DIAMETER		KHH	
7/05	H	ECN859: ADD CORRECT DIMS		CB	

DETAIL D



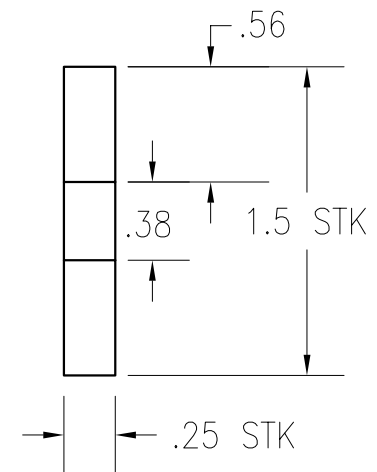
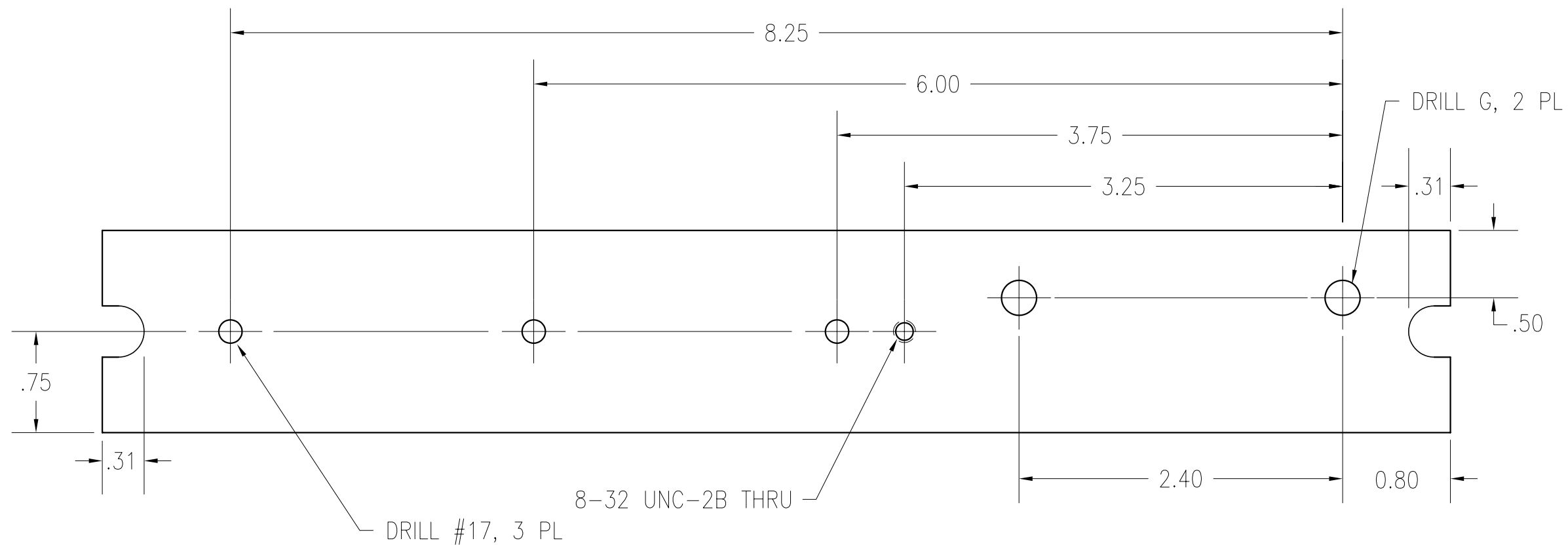
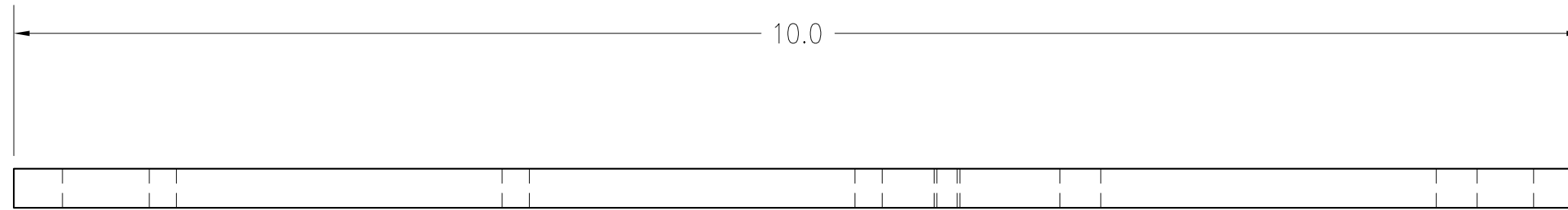
NOTES:
MATERIAL – 316 STAINLESS STEEL
.25" X 1.5" STOCK

SAME AS DRAWING 20893A SHEET 4

TOLERANCES	SEA-BIRD ELECTRONICS, INC				
FRACTIONAL	P/N	23752	SCALE	DRAWN BY DW	
			1:1	APPROVED BY	
DECIMAL .XXX=±.005 .XX=±.01	TITLE	SBE19/25 GUARD CAGE MIDDLE CROSS BAR			
ANGULAR	DATE	DRAWING NUMBER	20310	REV	H
	2.12.89	SHEET 4 OF 6			

DETAIL F

DATE	SYM	REVISION RECORD	AUTH.	DR.	CK.
8/94	A	ECN #394			
6/99	E	CHANGE DWG DESCRIPTION			
3/00	F	REMOVED 90 DEGREE BENDS		CEG	
2/05	G	ADDED WIRE DIAMETER		KHH	
7/05	H	ECN859: ADD/CORRECT DIMS	CB	CB	



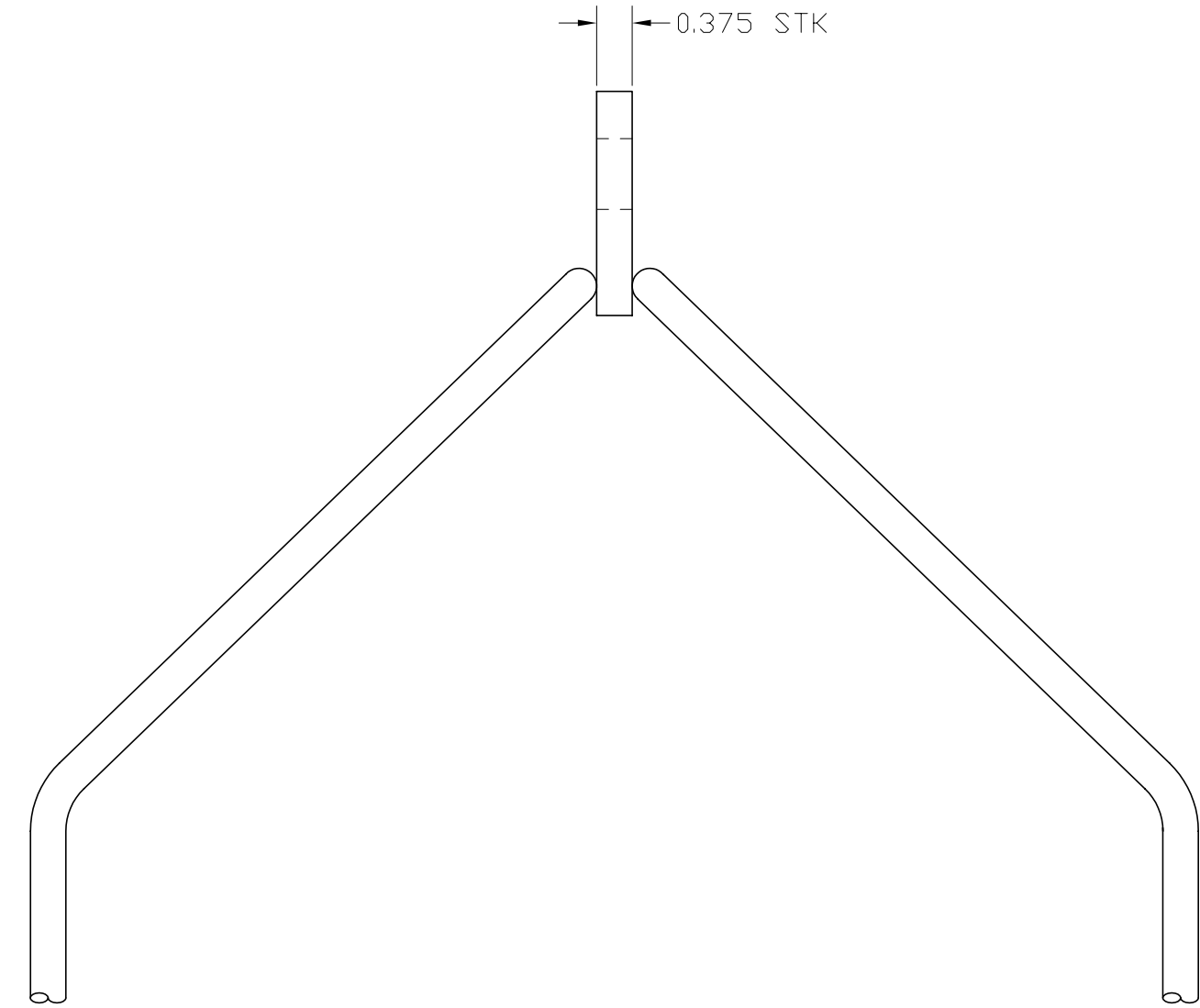
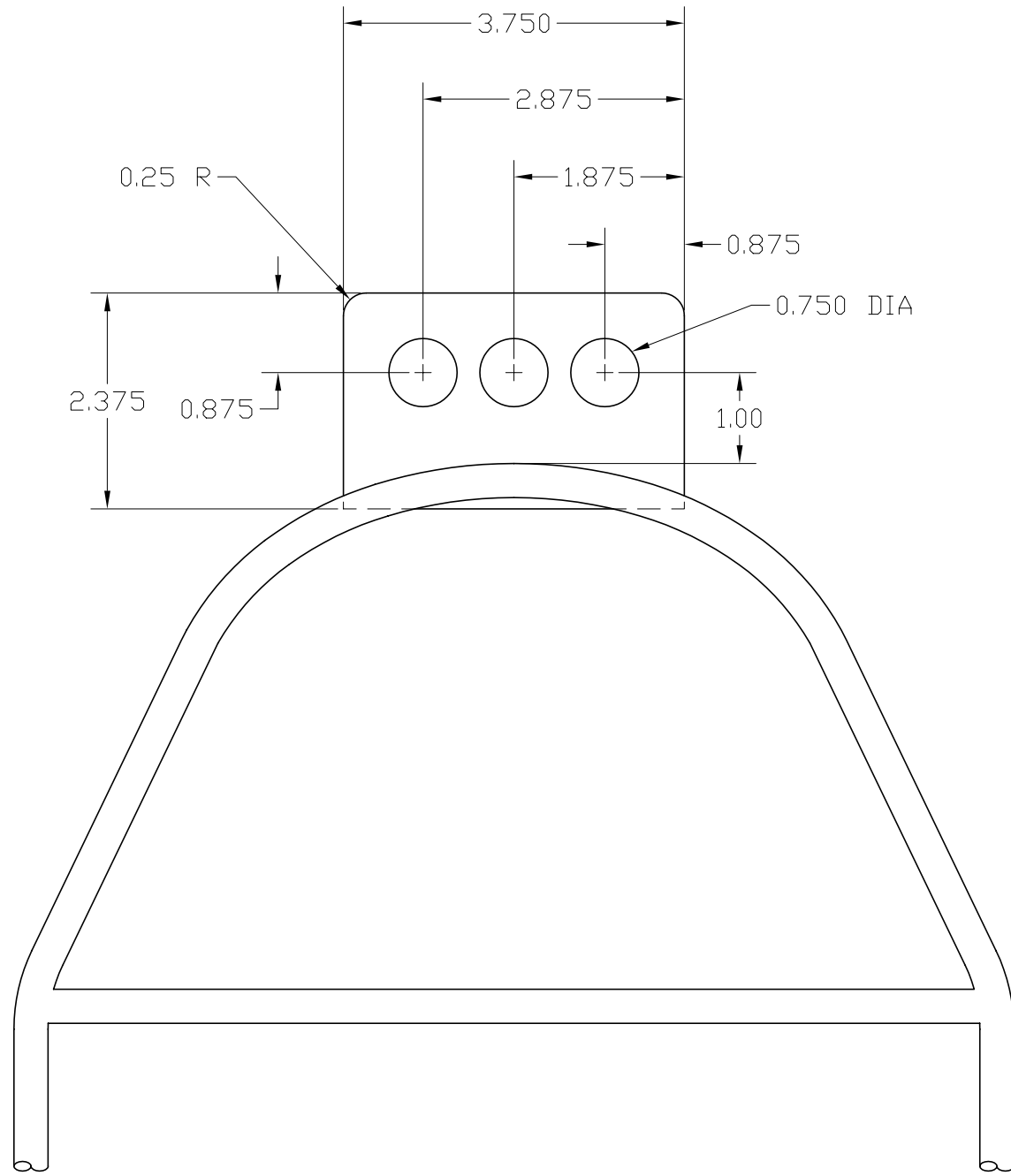
SAME AS DRAWING 20893A SHEET 5

NOTES:
 MATERIAL - 316 STAINLESS STEEL
 .25" X 1.5" STOCK

TOLERANCES	SEA-BIRD ELECTRONICS, INC				
FRACTIONAL	P/N	23753	SCALE	1:1	DRAWN BY DW
DECIMAL	TITLE	SBE-25 GUARD CAGE BOTTOM CROSS BAR			APPROVED BY
ANGULAR	DATE	DRAWING NUMBER	20310	REV	H
	2.12.89	SHEET 5 OF 6			

DETAIL A

DATE	SYM	REVISION RECORD	AUTH.	DR.	CK.
8/94	A	ECN #394			
6/99	E	CHANGE DWG DESCRIPTION			
3/00	F	REMOVED 90 DEGREE BENDS		CEG	
2/05	G	ADDED WIRE DIAMETER		KHH	
7/05	H	ECN859: ADD CORRECT DIMS		CB	



SAME AS DRAWING 20893A SHEET 6

MATERIAL = 316 SS
 TOLERANCES = X.XX ±0.05
 X.XXX ±0.01

TOLERANCES	SEA-BIRD ELECTRONICS, INC				
FRACTIONAL	P/N 23867	SCALE 1:1	DRAWN BY DW		
DECIMAL .XXX=±.005 .XX=±.01	TITLE SBE19/25 GUARD CAGE THREE HOLE LIFT BAR				
ANGULAR	DATE 10.3.90	DRAWING NUMBER SHEET 6 OF 6	20310	REV H	