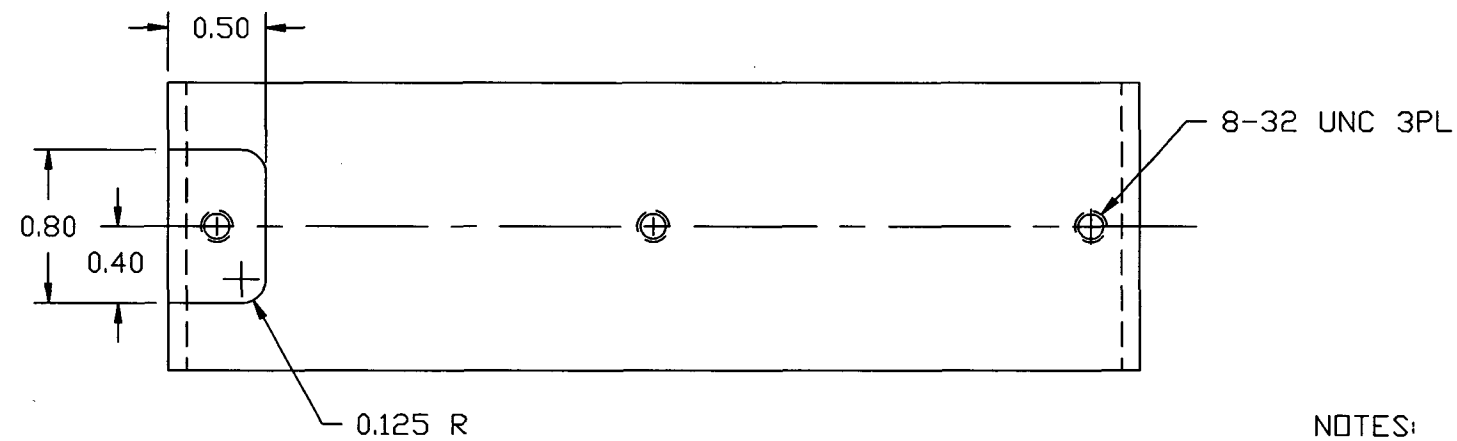
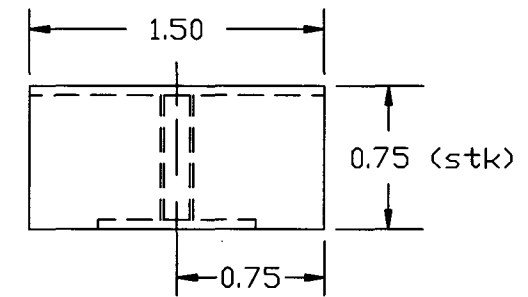
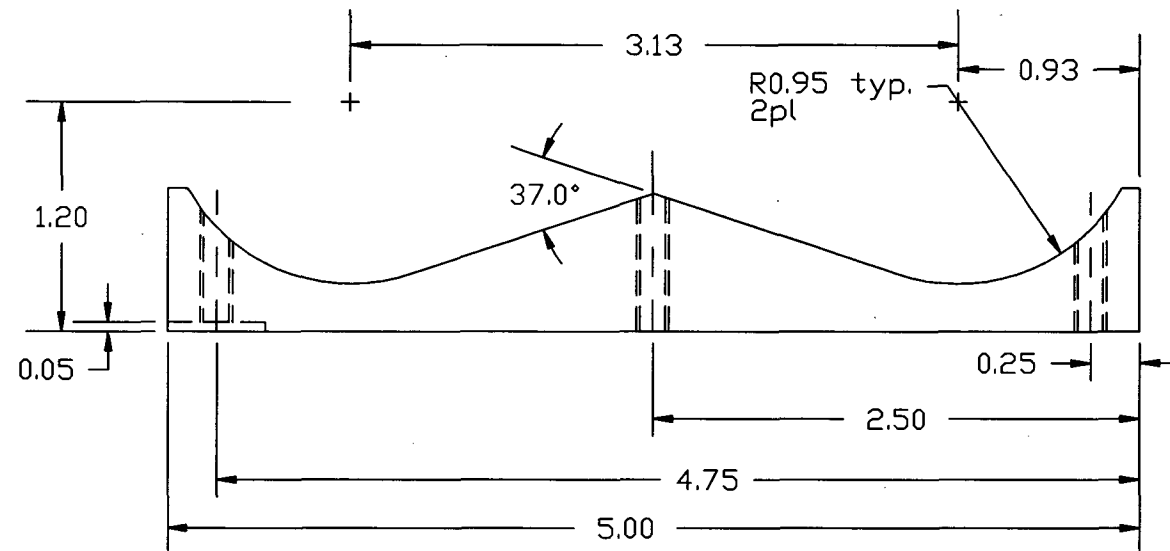


DATE	SYM	REVISION RECORD	AUTH.	DR.	CK.
11/97		REDRAW ON AUTOCAD	RMB		



NOTES:
MATERIAL: DELRIN
TOLERANCES .XX = .01
.XXX = .005

TOLERANCES					SEA-BIRD ELECTRONICS, INC				
FRACTIONAL	P/N	23306	SCALE	1:1	DRAWN BY RMB				
DECIMAL	TITLE				SBE 25 SENSOR MOUNT BLOCK				
ANGULAR	DATE	11/25/97	DRAWING NUMBER	20314	REV				