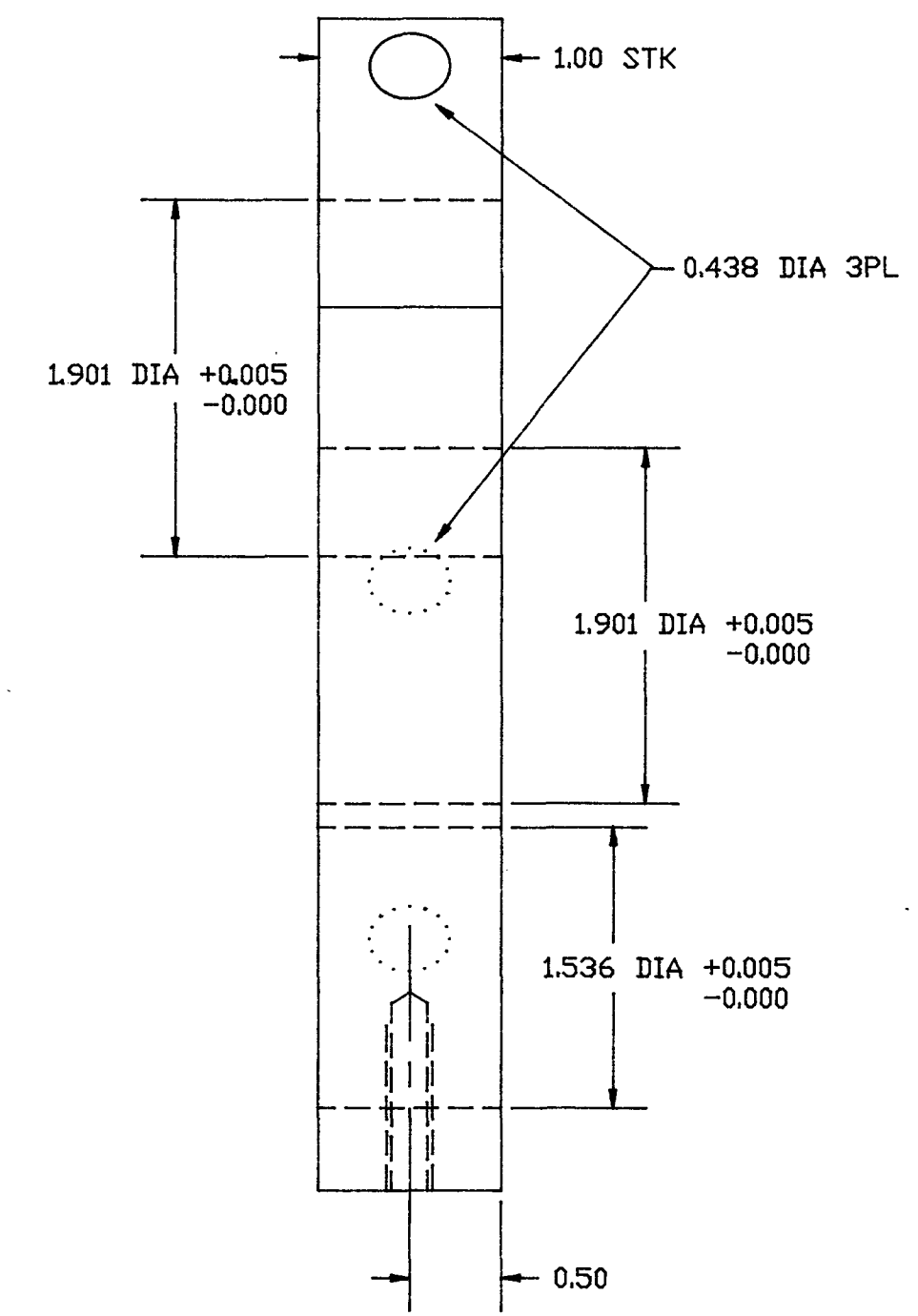
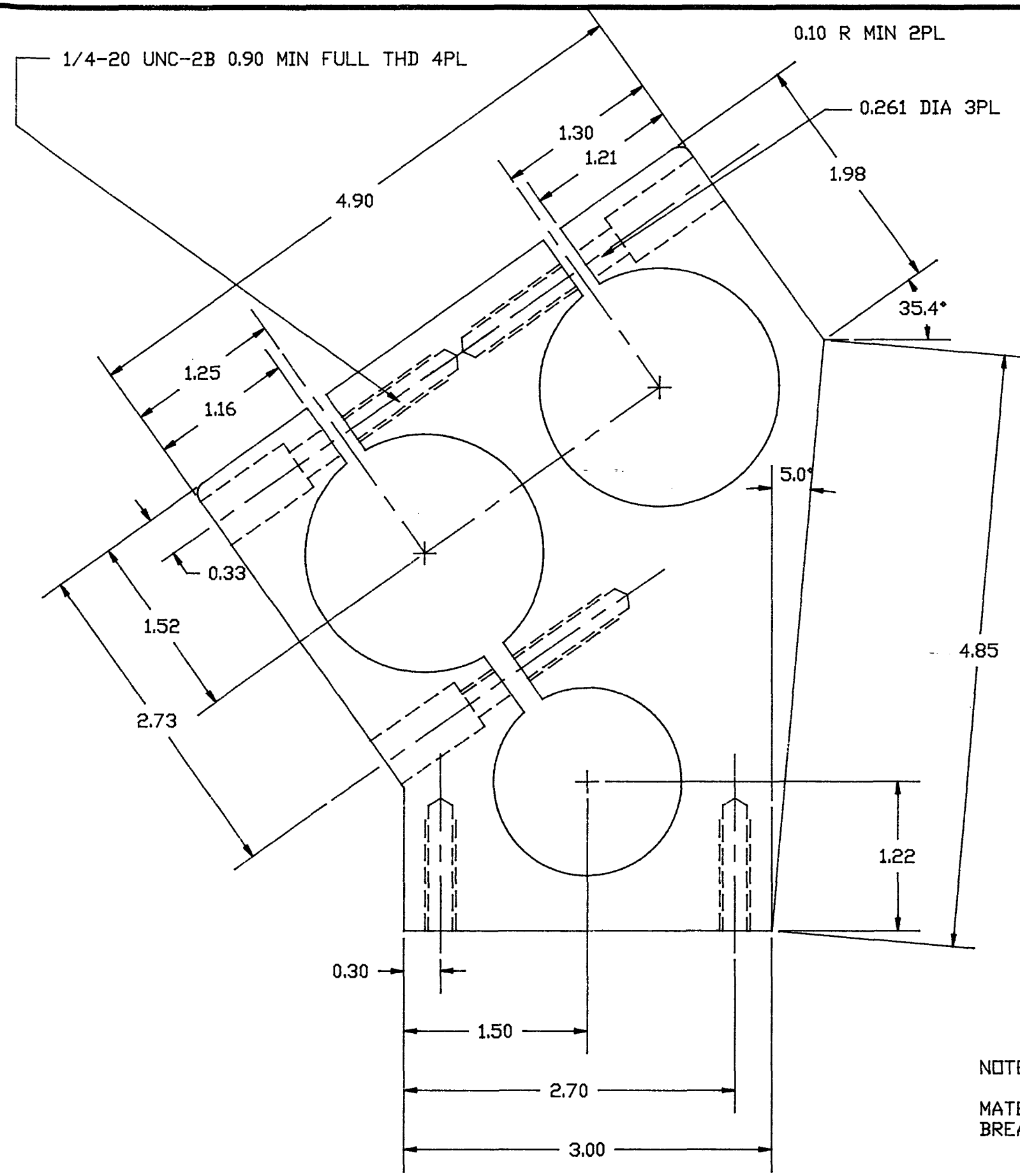


DATE	SYM	REVISION RECORD	AUTH.	DR.	CK.



NOTES
 MATERIAL = WHITE CELCON OR DELRIN
 BREAK SHARP EDGES

TOLERANCES	SEA-BIRD ELECTRONICS, INC		
FRACTIONAL	P/N 23831	SCALE 1:1	DRAWN BY JEB
DECIMAL	TITLE	APPROVED BY	
±0.01	PUMP,PRESSURE MOUNT SBE 25		
ANGULAR	DATE 6.8.94	DRAWING NUMBER 20846	REV