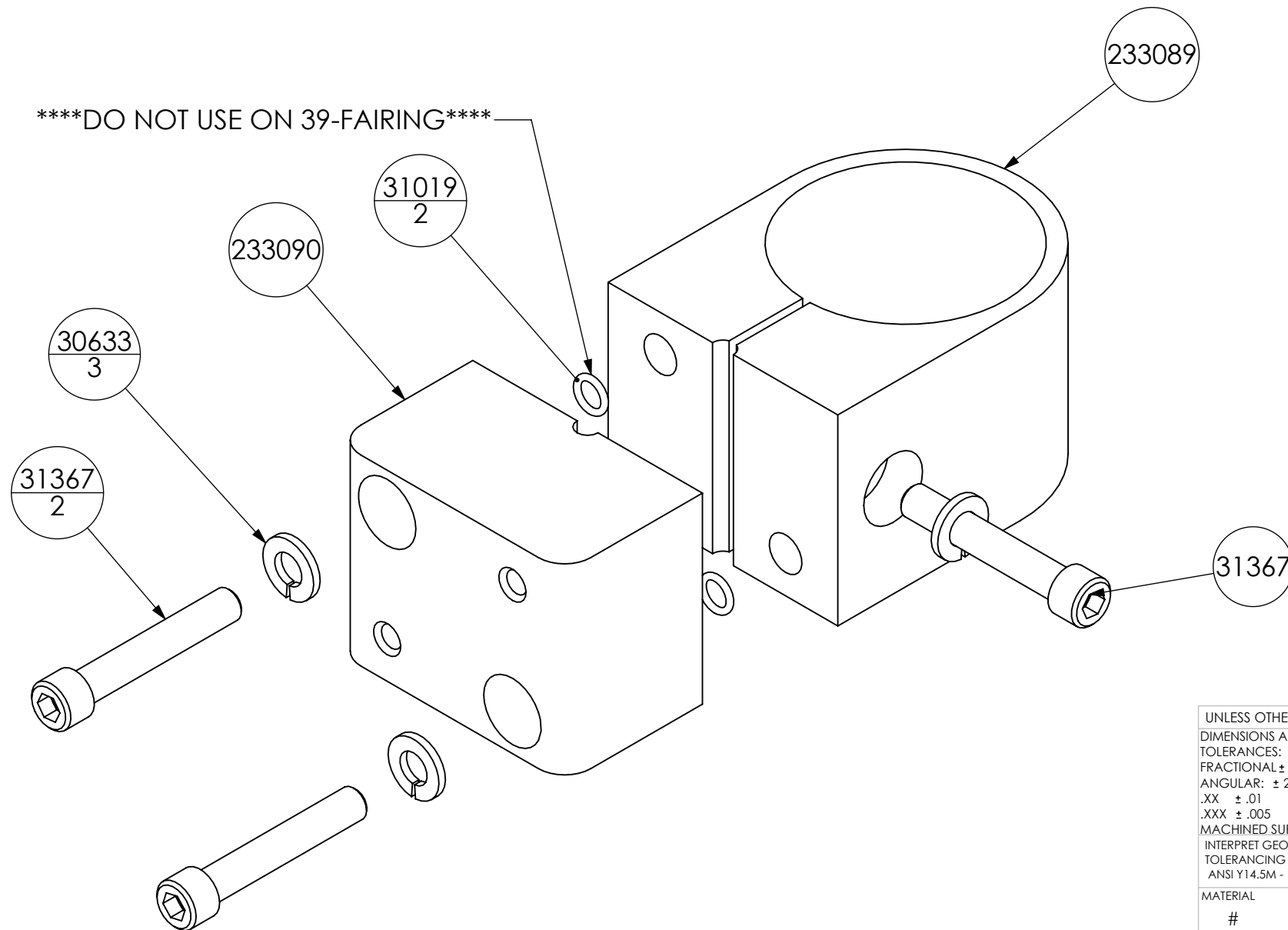


ITEM NO.	PART NUMBER	Drawing Number	DESCRIPTION	QTY.
1	30633		Washer, 1/4" Split Ring Lock, Titanium	1
2	31367		CAP SCREW, 1/4-20 X 1-1/2, SOCKET HEAD, TI	1
3	801553.Xmm	41394	SBE39 & 39IM CABLE CLAMP ASSY PT 2	1
	233089	233089	SBE39 MOORING CLAMP, GENERIC	1
	233090	233090	generic SBE-39 Cable clamp	1
	30633		Washer, 1/4" Split Ring Lock, Titanium	2
	31019		O-RING, 2-008	2
	31367		CAP SCREW, 1/4-20 X 1-1/2, SOCKET HEAD, TI	2

DATE	REV	DESCRIPTION	AUTH	DR	CK.
02/07	A	ECNT065 MOD 1/2"/12mm/ 13mm CLAMP	CB	MT	

KIT PN	Parts	Cable Diameter	Drill Size	Tap Size
Generic	233089 / 233090	Generic	n/a	n/a
50377	801553.6mm	1/4" or 6mm	#8 (.199)	1/4-20
50378	801553.8mm	5/16" or 8mm	I with #8 Pilot	5/16-24
50379	801553.10mm	3/8" or 10mm	R with #8 Pilot	3/8-24
50380	801553.12mm	1/2", 12mm OR 13mm	31/64 USE .070" SHIM*	9/16-12
50381	801553.16mm	5/8" or 16mm	37/64 with #8 Pilot	5/8-18 UNF

*REMOVE O-RINGS PN31019 IF A SHIM IS REQUIRED BETWEEN PN233089 AND PN233090. REPLACE O-RINGS AFTER PARTS HAVE BEEN MODIFIED. PN31134 CAN BE USED AS THE .070" SHIM



****DO NOT USE ON 39-FAIRING****

UNLESS OTHERWISE SPECIFIED:		NAME	DATE	SEA-BIRD ELECTRONICS, INC.	
DIMENSIONS ARE IN INCHES		DRAWN	AKM 01/06/05	1808 - 136th PLACE NE, BELLEVUE, WA 98005	
TOLERANCES:		PROPRIETARY AND CONFIDENTIAL		425-643-9866	
FRACTIONAL ±		THE INFORMATION CONTAINED IN THIS DRAWING IS THE SOLE PROPERTY OF SEA-BIRD ELECTRONICS, INC. ANY REPRODUCTION IN PART OR AS A WHOLE WITHOUT THE WRITTEN PERMISSION OF SEA-BIRD ELECTRONICS, INC. IS PROHIBITED.		TITLE:	
ANGULAR: ± 2 BEND ±		COMMENTS:		SBE39 v2 CABLE CLAMP MOUNT KIT ASSY	
.XX ± .01		DEBUR AND BREAK SHARP EDGES		P/N: see table	
.XXX ± .005		Old Part/Draw Info		SIZE	DWG. NO.
MACHINED SURFACES		67041 /67041		B	41396A
INTERPRET GEOMETRIC TOLERANCING PER: ANS Y14.5M - 1994		SCALE: 1:1		REV	A
MATERIAL		SHEET 1 OF 1			
#					
FINISH N/A					
DO NOT SCALE DRAWING					