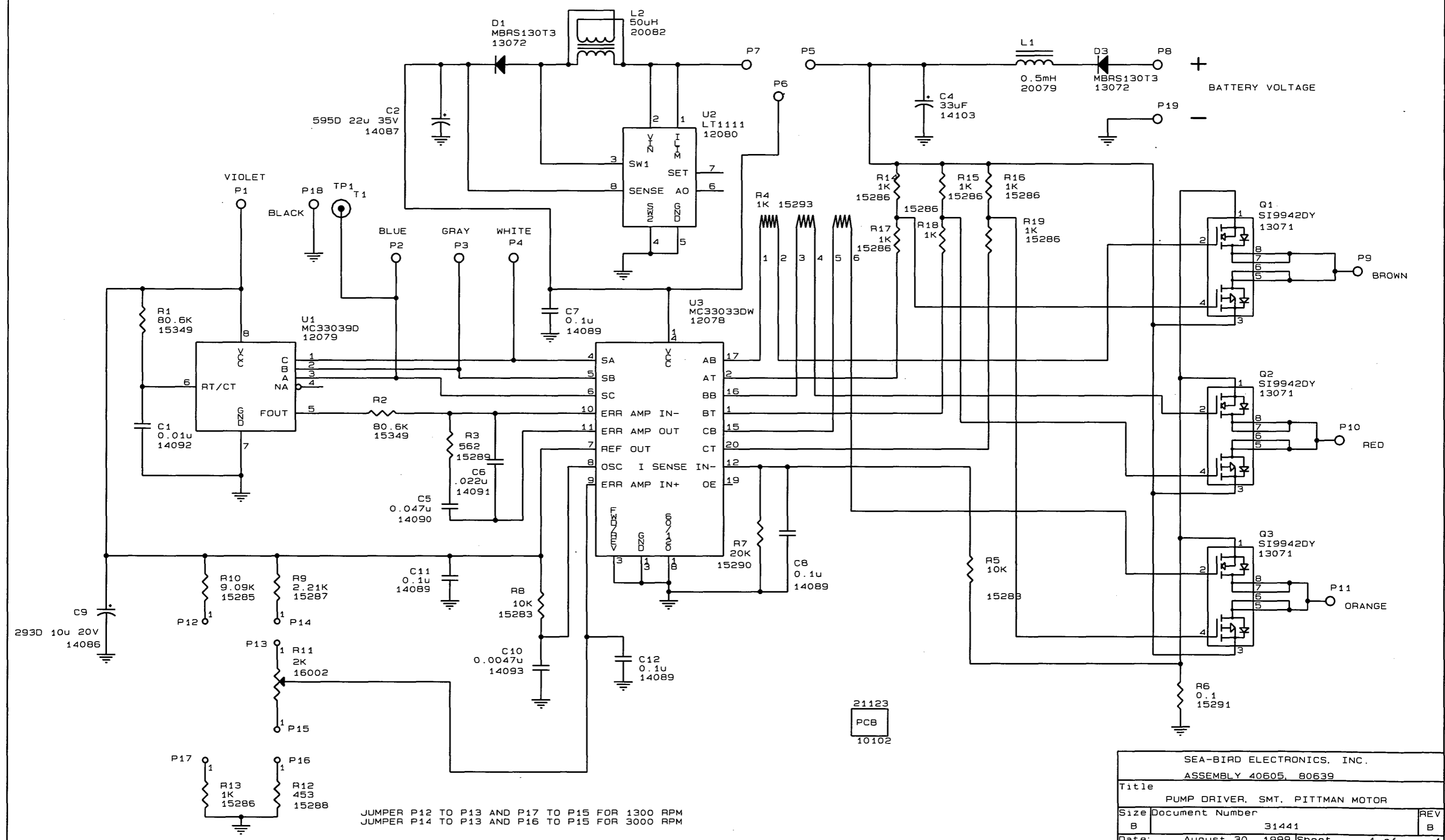


DATE	SYM	REVISION RECORD	AUTH	DR	CK
05/15/97	A	R3 WAS SHOWN AS 562K, 15289	DG		
08/30/99	B	ECN642: R1/R2 PN, C4 WAS 33uF	DG		



JUMPER P12 TO P13 AND P17 TO P15 FOR 1300 RPM
 JUMPER P14 TO P13 AND P16 TO P15 FOR 3000 RPM

SEA-BIRD ELECTRONICS, INC.	
ASSEMBLY 40605, 80639	
Title	
PUMP DRIVER, SMT, PITTMAN MOTOR	
Size	Document Number
B	31441
Date:	August 30, 1999 Sheet 1 of 1

ORIG.