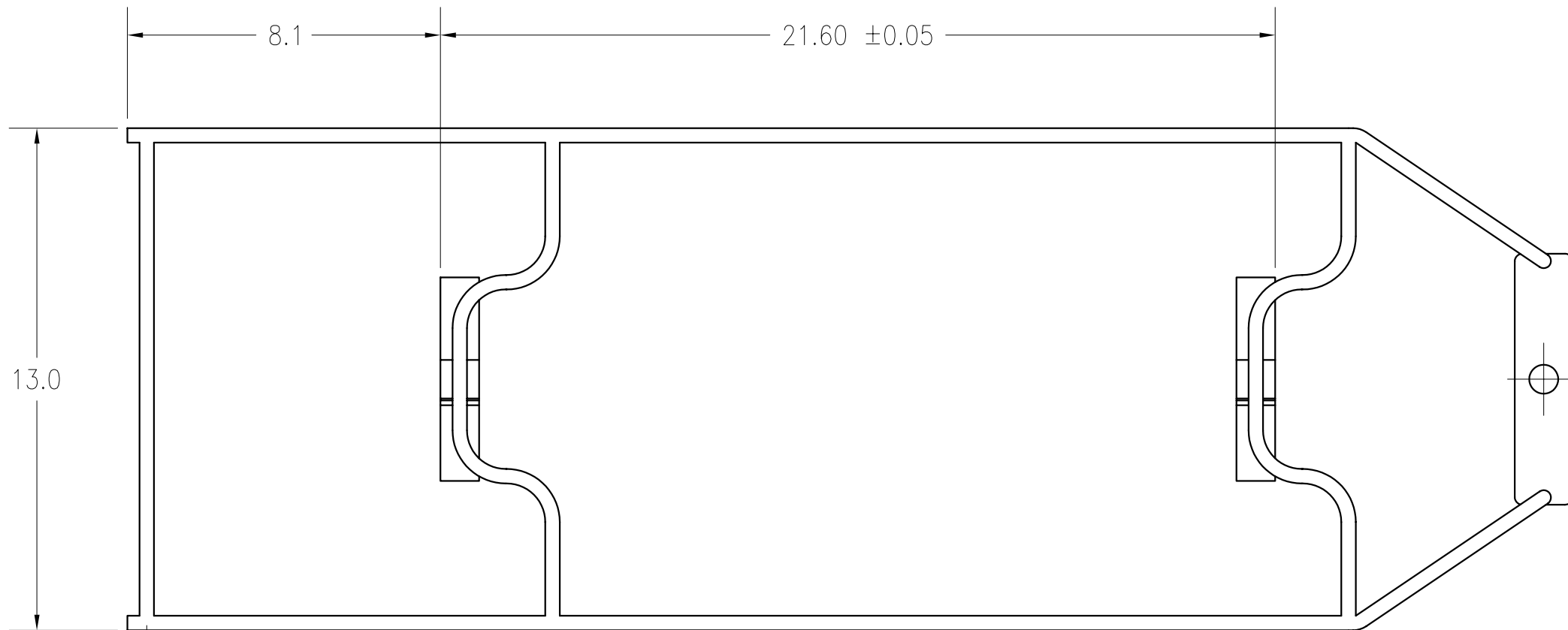
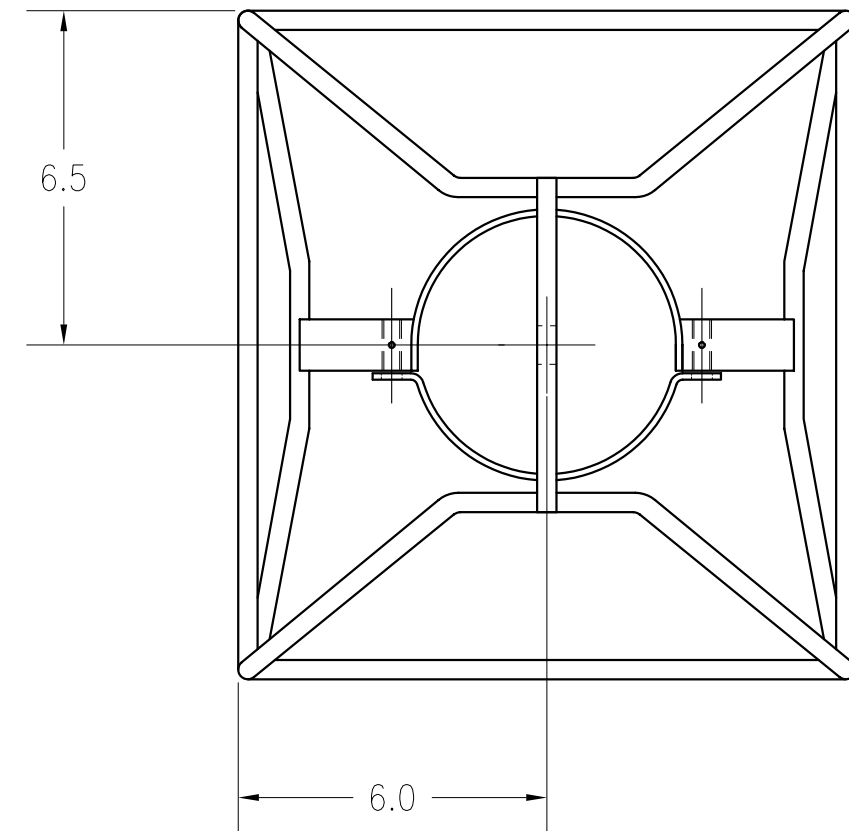
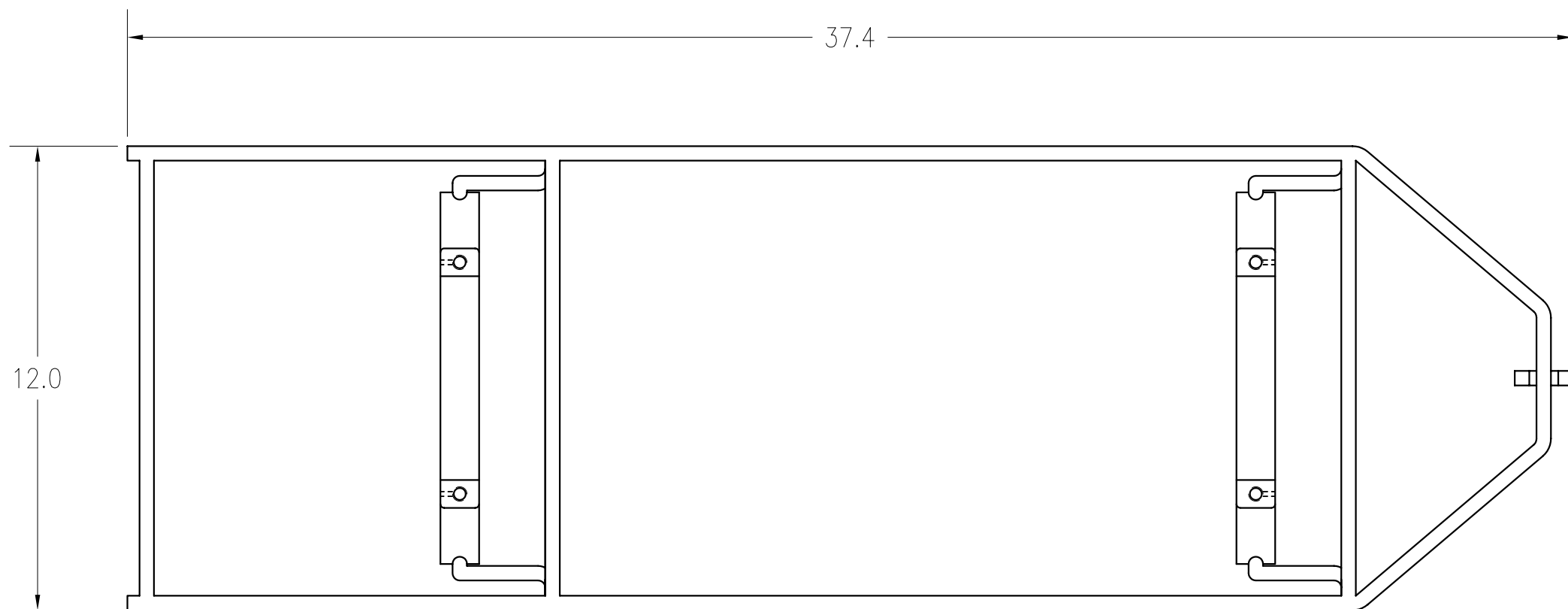


DATE	SYM	REVISION RECORD	AUTH.	DR.	CK.
4/99	B	REDRAWN ON AUTOCAD		CEG	
8/05	C	ADDED DETAIL B	CB	MT	



0.50

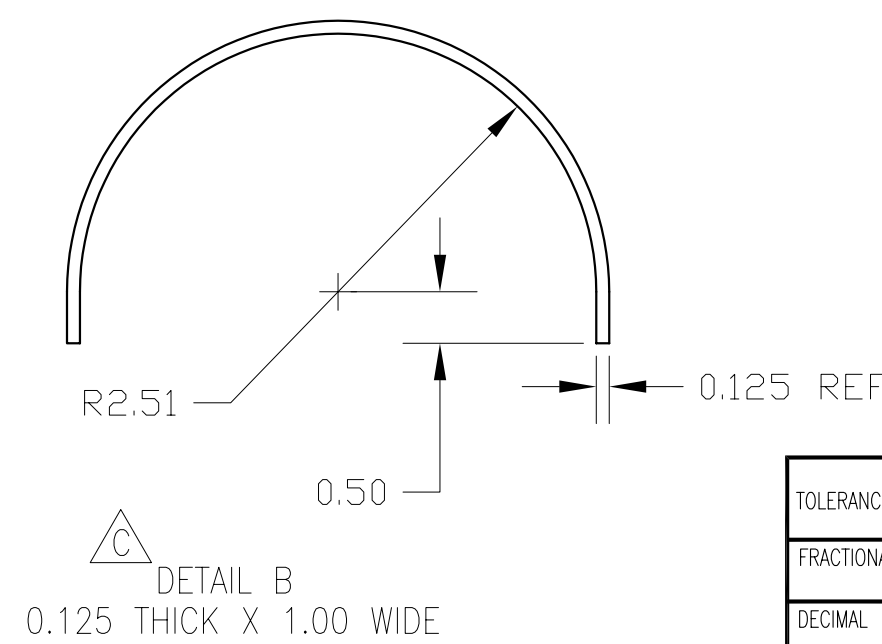
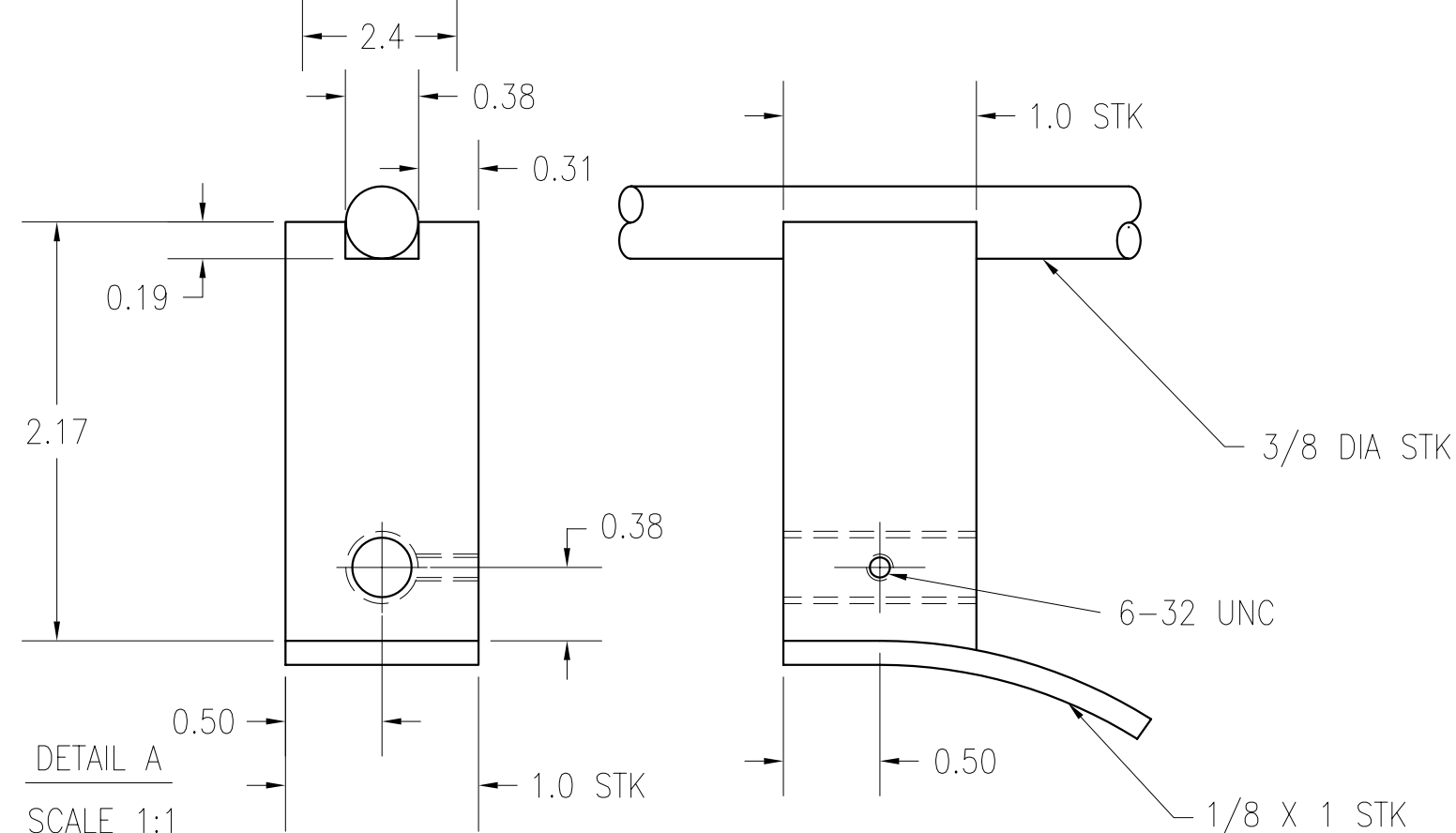
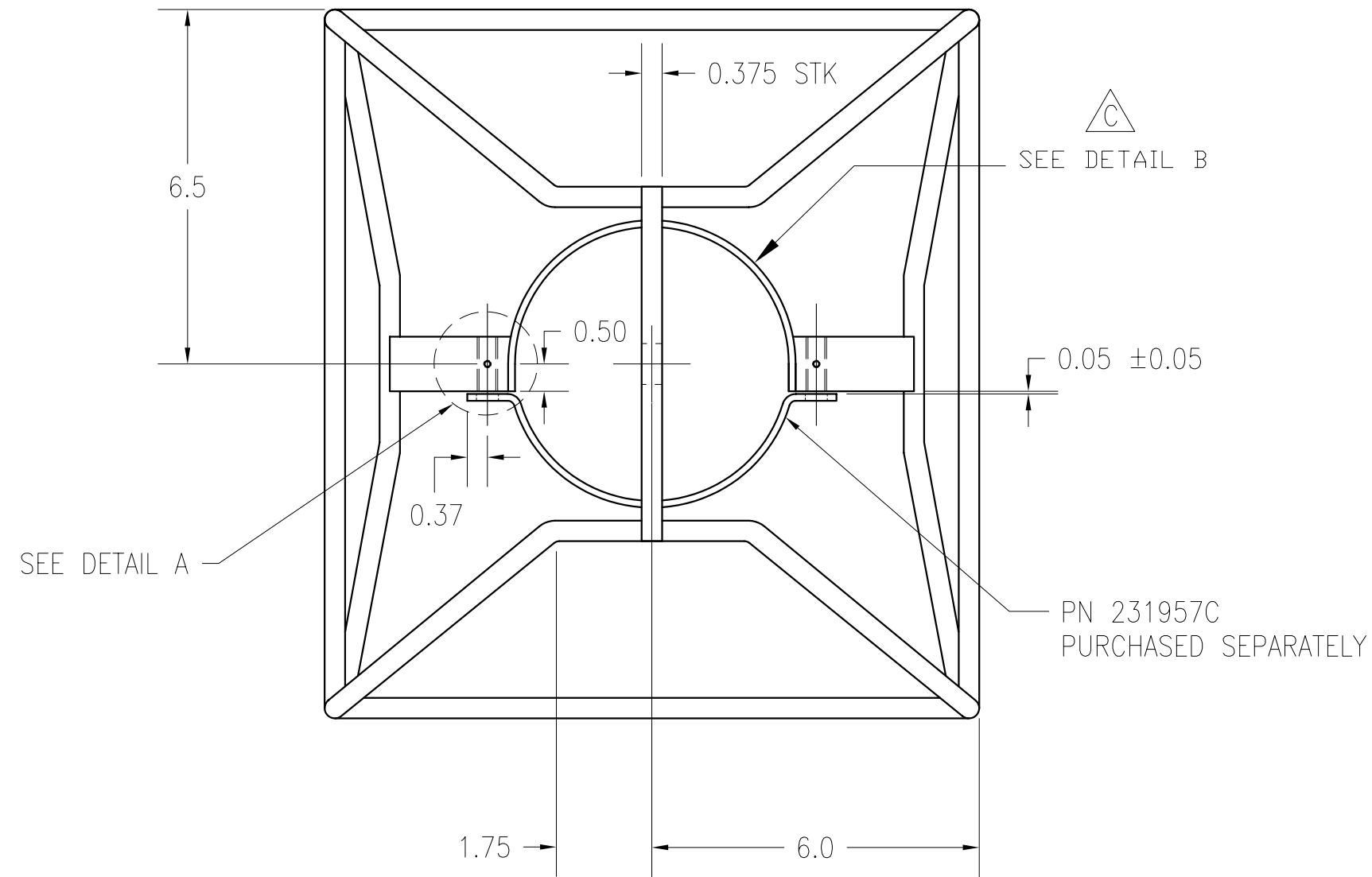
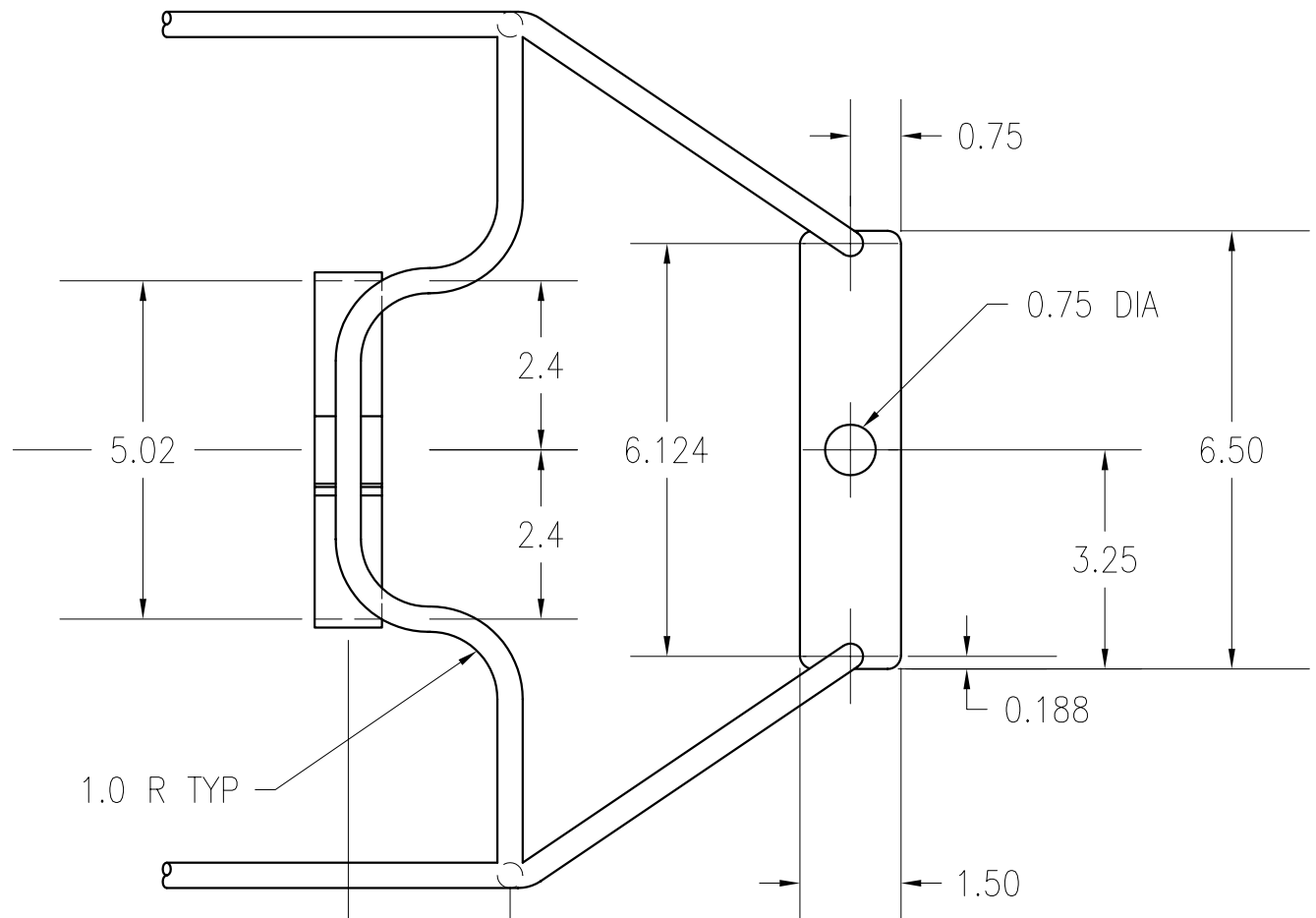


NOTES:

MATERIAL = 316 SS
WELD ALL SEAMS
TOLERANCES (UNLESS NOTED)
X.X = ±0.1
X.XX = ±0.02

TOLERANCES	SEA-BIRD ELECTRONICS, INC				
FRACTIONAL	P/N	23559	SCALE	DRAWN BY	DW
DECIMAL	TITLE	CTD GUARD CAGE, 9plus ROSETTE			
ANGULAR	DATE	DRAWING NUMBER	20287.1	REV	C
	7.16.92	SHEET 1 OF 2			

DATE	SYM	REVISION RECORD	AUTH.	DR.	CK.
4/99	B	REDRAWN ON AUTOCAD		CEG	
8/05	C	ADDED DETAIL B	CB	MT	



NOTES:
MATERIAL = 316 SS
WELD ALL SEAMS
TOLERANCES (UNLESS NOTED)
X.X = ±0.1
X.XX = ±0.02

DETAIL A
SCALE 1:1

TOLERANCES	SEA-BIRD ELECTRONICS, INC				
FRACTIONAL	P/N	23559	SCALE	1:3	DRAWN BY DW
DECIMAL	TITLE CTD GUARD CAGE, 9plus ROSETTE				
ANGULAR	DATE	7.16.92	DRAWING NUMBER	20287.1	REV C
			SHEET 2 OF 2		