



# SEA-BIRD ELECTRONICS, INC.

1808 136th Place N.E., Bellevue, Washington 98005 USA

Telephone: (425) 643-9866 Telex: 292915 SBEI UR

Fax: (425) 643-9954

email: seabird@seabird.com

SBE P/N 50264

DATE	REV	REVISION RECORD	AUTH	DR	CHK
3.7.05	A	New Drawing Revision	CB	KLP	
11.26.07	B	New Drawing Revision	CB	PC	

## SBE 37 Through-Bolt Mounting Structure Assembly Kit

### KIT CONTENTS

SBE P/N	Manufacturer P/N	Primary SBE Application	QTY
231736	SBE37 Through-Bolt Mount, Part 1	Mount secures to sensor endcap	1
231737	SBE37 Through-Bolt Mount, Part 2	Mount secures to connector endcap	1
30633	Washer, 1/4" Split ring lock, Ti	Used with sensor endcap securing bolts	2
30634	Washer, 1/4" Flat, Ti	Used with sensor endcap securing bolts	2
30790	Bolt, 1/4-20 x 3/4 Hex Ti	Secure mount part 1 to sensor endcap	2
31040	Mach screw, 8-32 x 1" FH Ti	Secure mount part 2 to connector endcap	3

### Installing Through-Bolt Hardware onto a Microcat

#### A. Install Mount part one into sensor endcap

1. If other mounts exist, simply remove these and set them aside.
  - a. You may need to remove the single screw securing lower sensor endcap mount onto the endcap itself.
  - b. You will not be using any parts from these mounts.
2. Install mount part 1 (231736) onto sensor endcap, such that sunken holes are facing out from the microcat housing.
3. If is recommended to use NeverSeez on all hardware.
4. Secure mount part 1 to sensor endcap with 2 bolts (30790), 2 lock washers (30633), and 2 flat washers (30634)
  - a. Install Lock washer first onto bolt, followed by flat washer.
  - b. Cover remaining exposed bolt threads with NeverSeez after installing washers.
5. You will be easily able to install your mounting hardware through the remaining (outer) pair of holes on the mount.

#### B. Install Mount part two into connector endcap

1. If current mounting assembly exists, remove this and set it aside. You will not need any parts from this mounting fixture.
2. Endcap may be installed in the reverse direction from where you want it. In this case, first install the mount part 2, then use that mount to carefully turn the endcap 180°.
3. Install mount part 2 (231737) onto connector endcap, such that screw holes all line up, and countersinks face away from the microcat endcap.
4. Secure to endcap with three screws (31040).
5. If is recommended to use NeverSeez on all hardware.
6. You will be easily able to install your mounting hardware through the remaining (outer) pair of holes on the mount.

SBE DRAWING: 67096

TITLE: SBE37 Through-Bolt Mounting Assembly

REV:

### Sea-Bird Electronics Procedure

PROCEDURE NUMBER: 67096

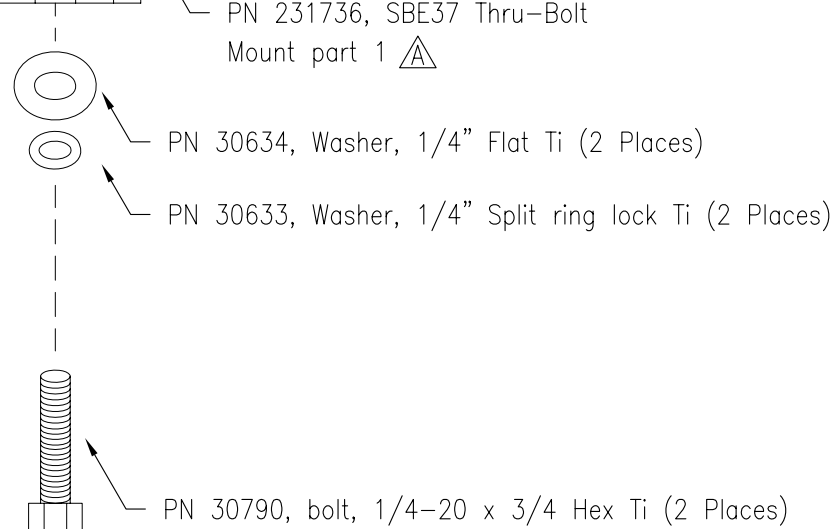
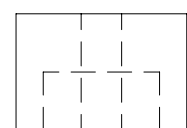
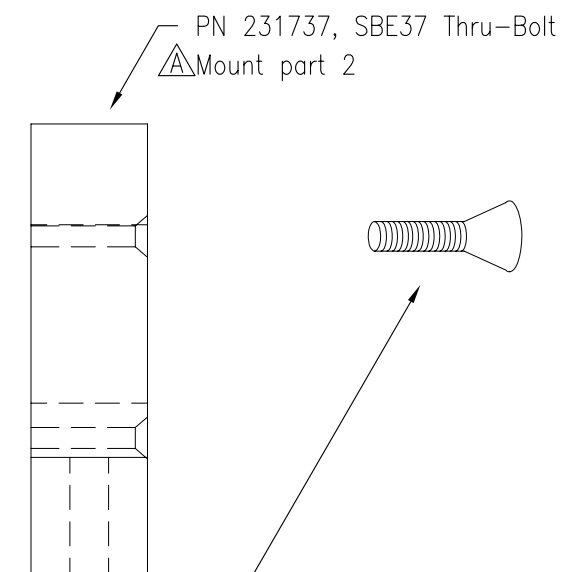
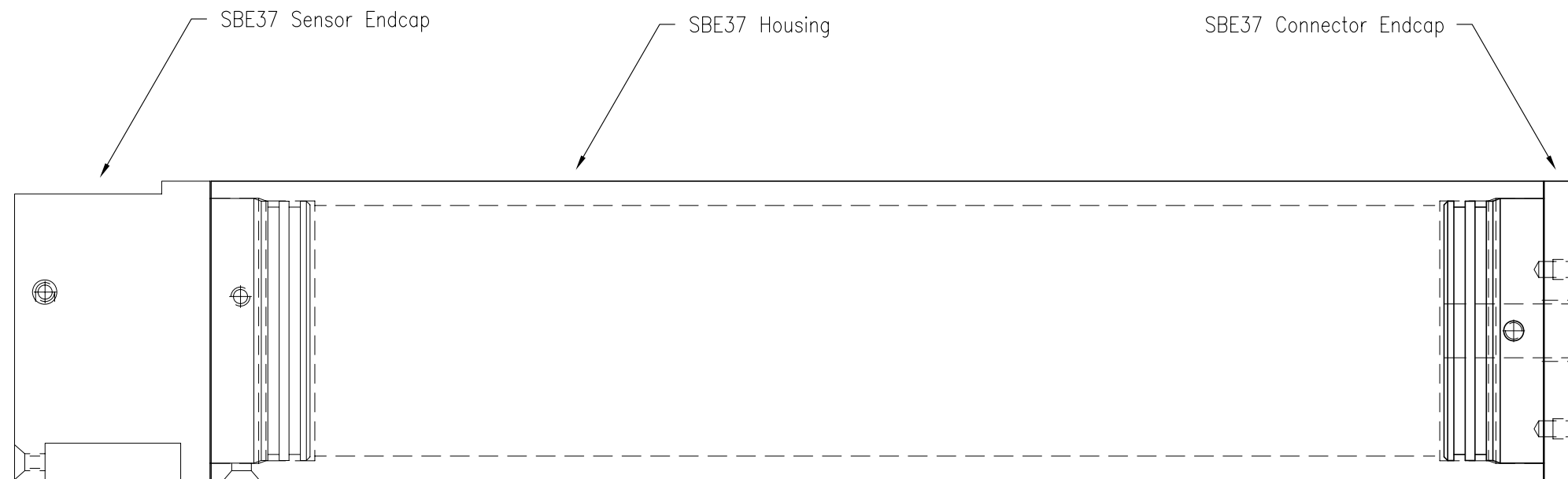
TITLE: **SBE37 Through-Bolt Mounting Hardware Kit**

REVISION: **B**

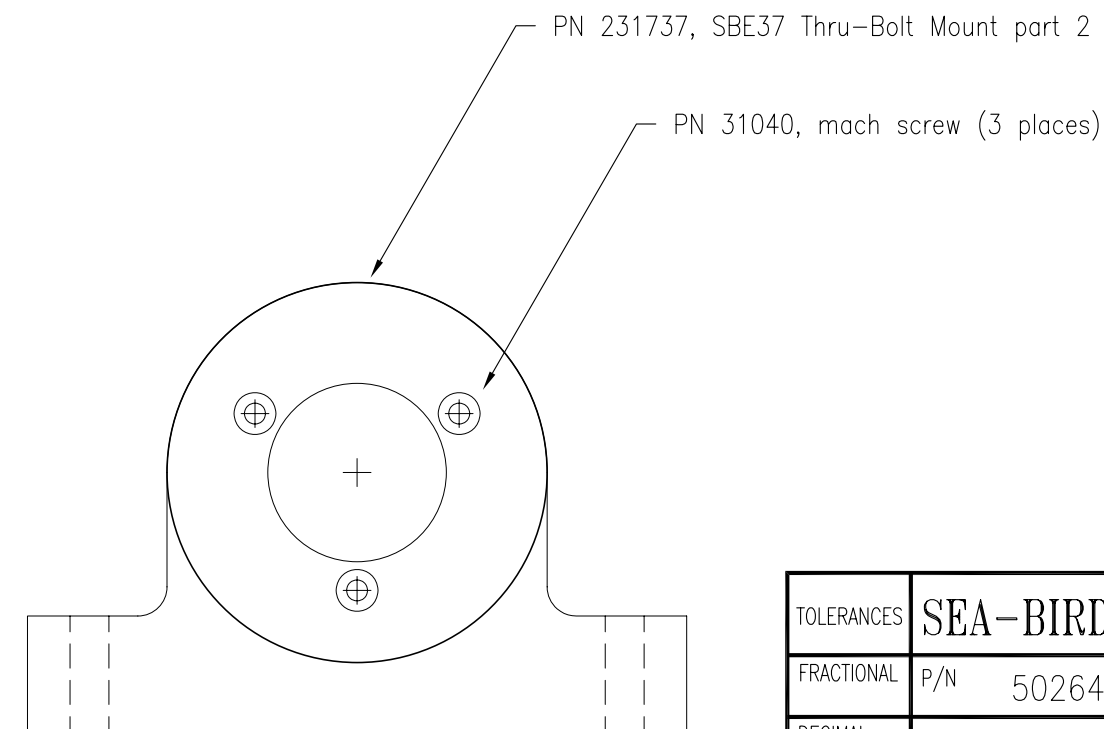
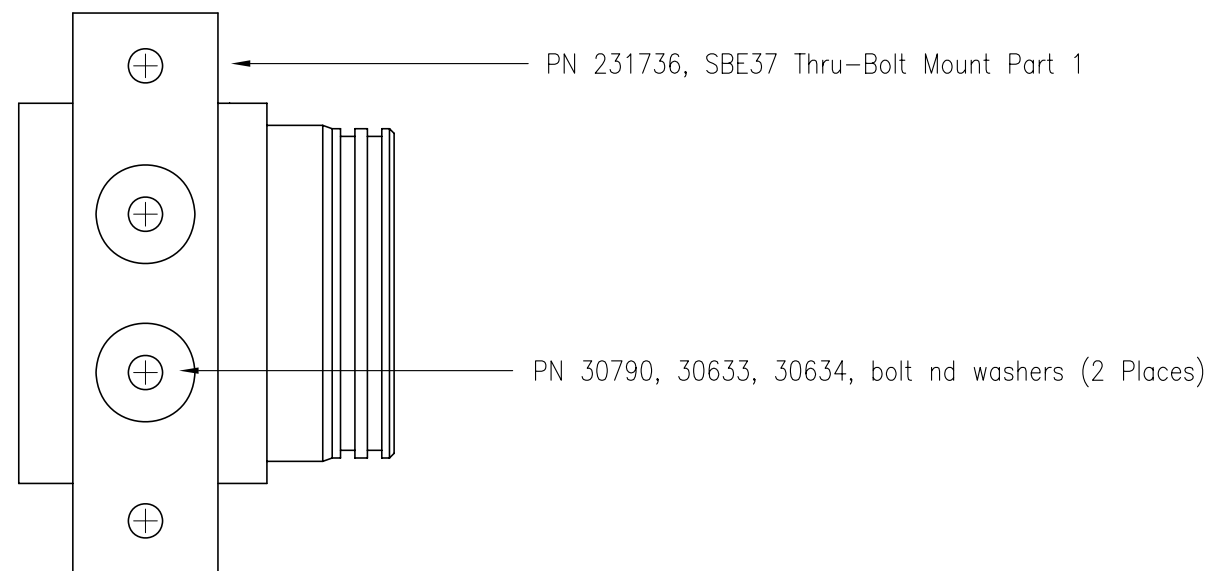
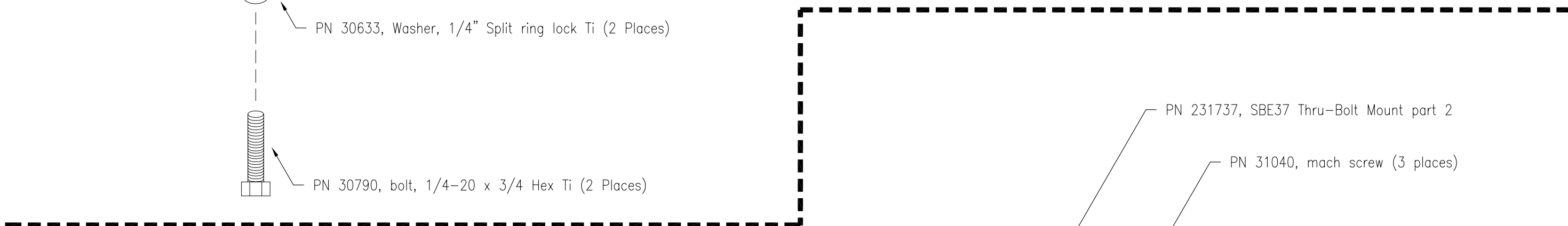
EFFECTIVE DATE: **11/26/07**

CHECKED BY:      PC      PAGE 1 of 1

DATE	SYM	REVISION RECORD	AUTH.	DR.	CK.
3.1.05	A	FIXED DESCRIPTION	CB	KLP	
11.26.07	B	ADDED MOUNTING DIMENSIONS	CB	PC	

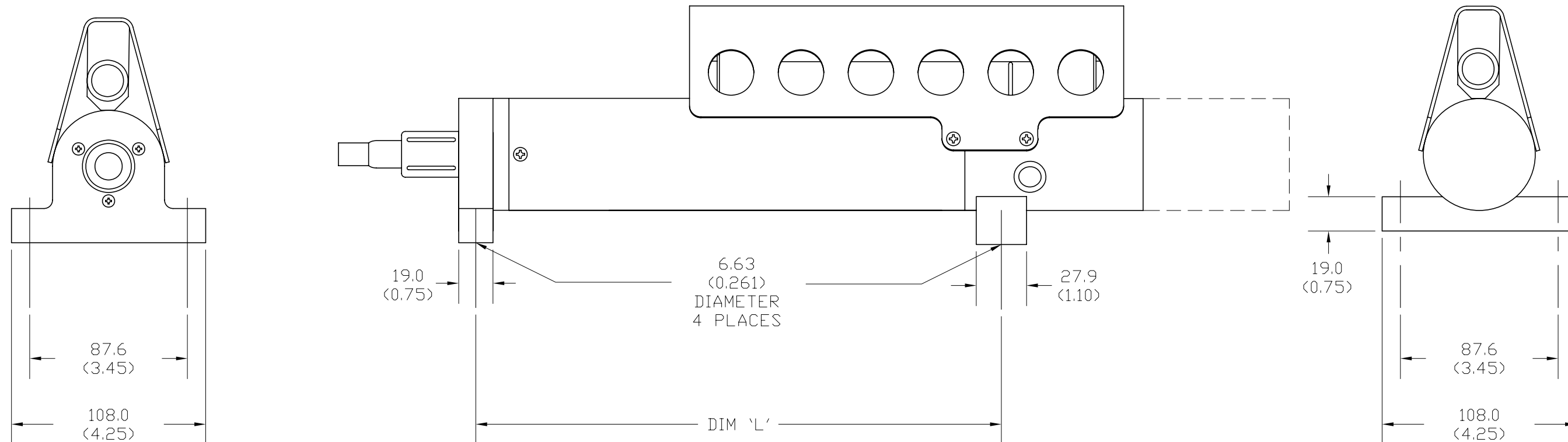


PN 31040, mach screw, 8-32 x 1" FH Ti (3 Places)



TOLERANCES	SEA-BIRD ELECTRONICS, INC			
FRACTIONAL	P/N	SCALE	DRAWN BY	
	50264	N.T.S.	MJ	
DECIMAL	TITLE			
	SBE37 Microcat Thru-Bolt Mounting Structure			
ANGULAR	DATE	DRAWING NUMBER	REV	
	03.23.00	SHEET 1 OF 2 67096	B	

DATE	SYM	REVISION RECORD	AUTH.	DR.	CK.
3.1.05	A	FIXED DESCRIPTION	CB	KLP	
11.26.07	B	ADDED MOUNTING DIMENSIONS	CB	PC	



DIMENSION 'L'		
MODEL	MILLIMETERS	INCHES
SI/SIP	292.100	11.500
SM/SMP	419.100	16.500

NOTE: DIMENSIONS IN MILLIMETERS (INCHES)

TOLERANCES	SEA-BIRD ELECTRONICS, INC				
FRACTIONAL	P/N	50264	SCALE	DRAWN BY MJ	
			N.T.S.	APPROVED BY	
DECIMAL	TITLE	SBE37 Microcat Thru-Bolt Mounting Structure			
ANGULAR	DATE	DRAWING NUMBER	67096	REV	B
	03.23.00	SHEET 2 OF 2			