



# SEA-BIRD ELECTRONICS, INC.

1808 136th Place N.E., Bellevue, Washington 98005 USA  
Telephone: (425) 643-9866 Telex: 292915 SBEI UR  
Fax: (425) 643-9954 email: seabird@seabird.com

SBE P/N 50296 & 50297

| DATE | REV | REVISION RECORD | AUTH | DR | CHK |
|------|-----|-----------------|------|----|-----|
|      |     |                 |      |    |     |

## Deck Pad Assembly Kit (for 1.375" and 1" frames)

### Kit Contents

| SBE P/N | Part Description                             | Primary SBE Application  | QTY |
|---------|--|--|-----|
| 23919   | SBE 32 Deck Pad 1.375" Dia.                  | 1.375" Frame Deck Pads used to protect Carousel Base (in 50296 only) | 6   |
| 23918   | SBE32 Deck Pad 1" Dia                        | 1" Frame Deck Pads used to protect Carousel Base (in 50297 only)     | 6   |
| 30254   | Washer, 1/4" Split Ring Lock                 | Used with Deck Pads  | 6   |
| 30377   | Cap Screw, 1/4 - 20 x 1-1/4" Socket Head, SS | Used with the deck pads  | 6   |
| 30570   | Washer, 1/4" Flat, SS                        | Used with the deck pads  | 6   |

### Deck pad installation

Refer to SBE Assembly drawing number 67117 for details

#### A. Install Deck Pads.

1. Clear off a large enough space, and cover the floor with carpet or cardboard to protect the paint on the frame.
2. The three deck pads are to be evenly spaced around the base with one of the units directly across the frame from the cage mount. (see drawing)
3. Lay the extension frame with the bottom side up.
  - a. The bottom side is the side with the cross bar welded to it.
4. Install a bolt into a block
  - a. Place one lock washer then one flat washer over the bolt.
  - b. Slide the bolt into the non-threaded countersunk hole in the block.
5. Install the blocks onto the frame.
  - a. Place the one of the blocks so that the side that the bolt go through will be facing the deck.
  - b. Place the other so that it faces the first one.
  - c. Line up the threaded hole in one block with the bolt from the other block.
6. Tighten the bolts down.
7. Repeat for the other two assemblies.

#### SBE Drawings:

67117 - SBE32 Deck Pad Kit  
Installation/Assembly

#### Sea-Bird Electronics Procedure

PROCEDURE NUMBER: 67117

TITLE: SBE32 Deck Pad Assembly Kit

REVISION:

EFFECTIVE DATE: 08/04/2005

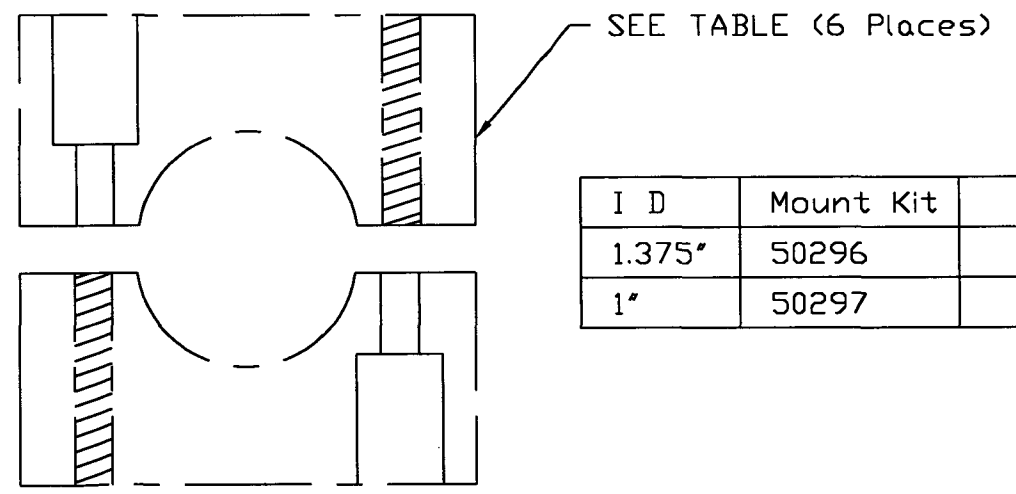
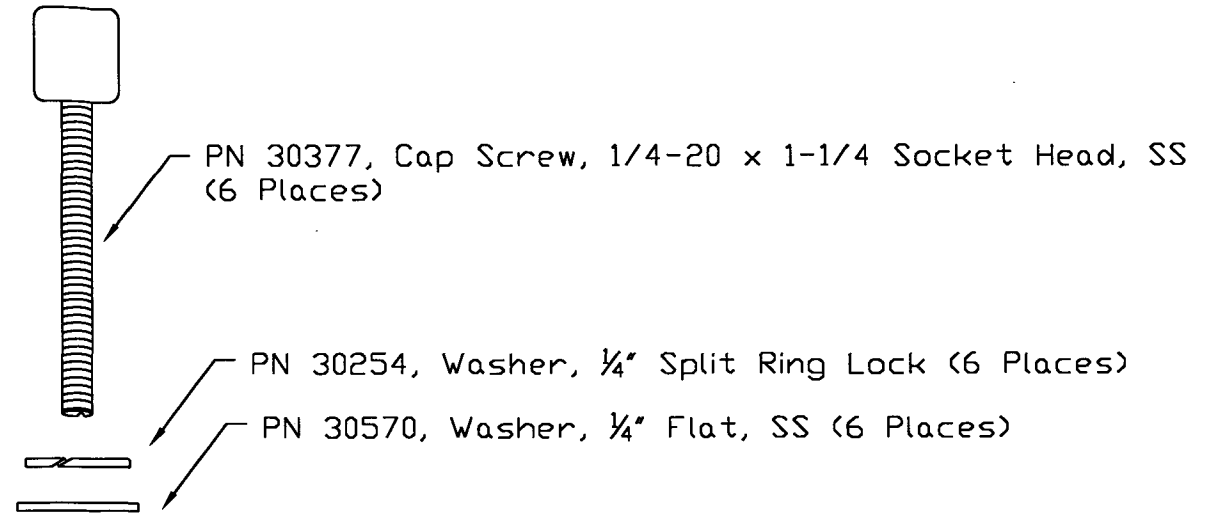
CHECKED BY:

PAGE 1 of 1

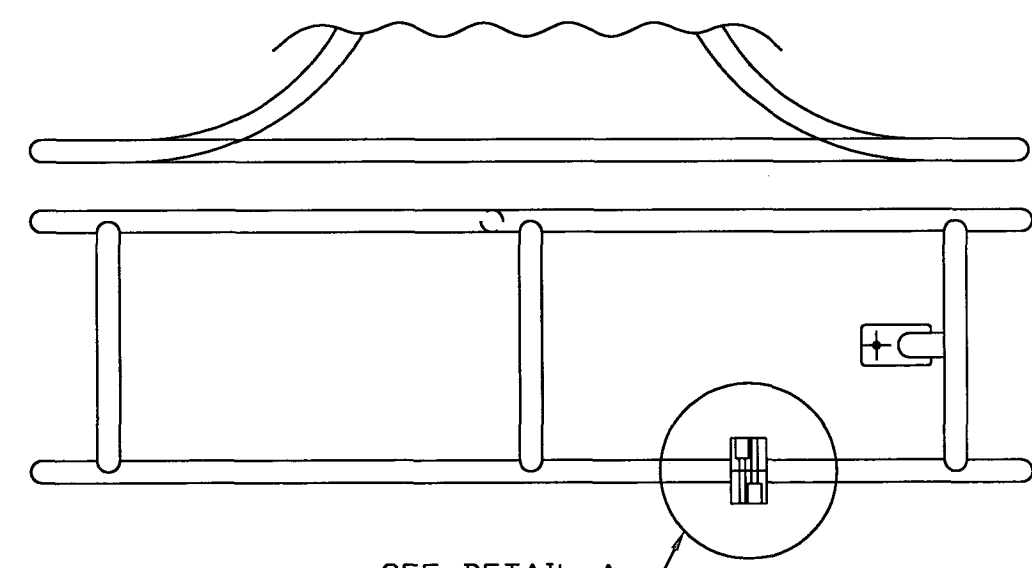
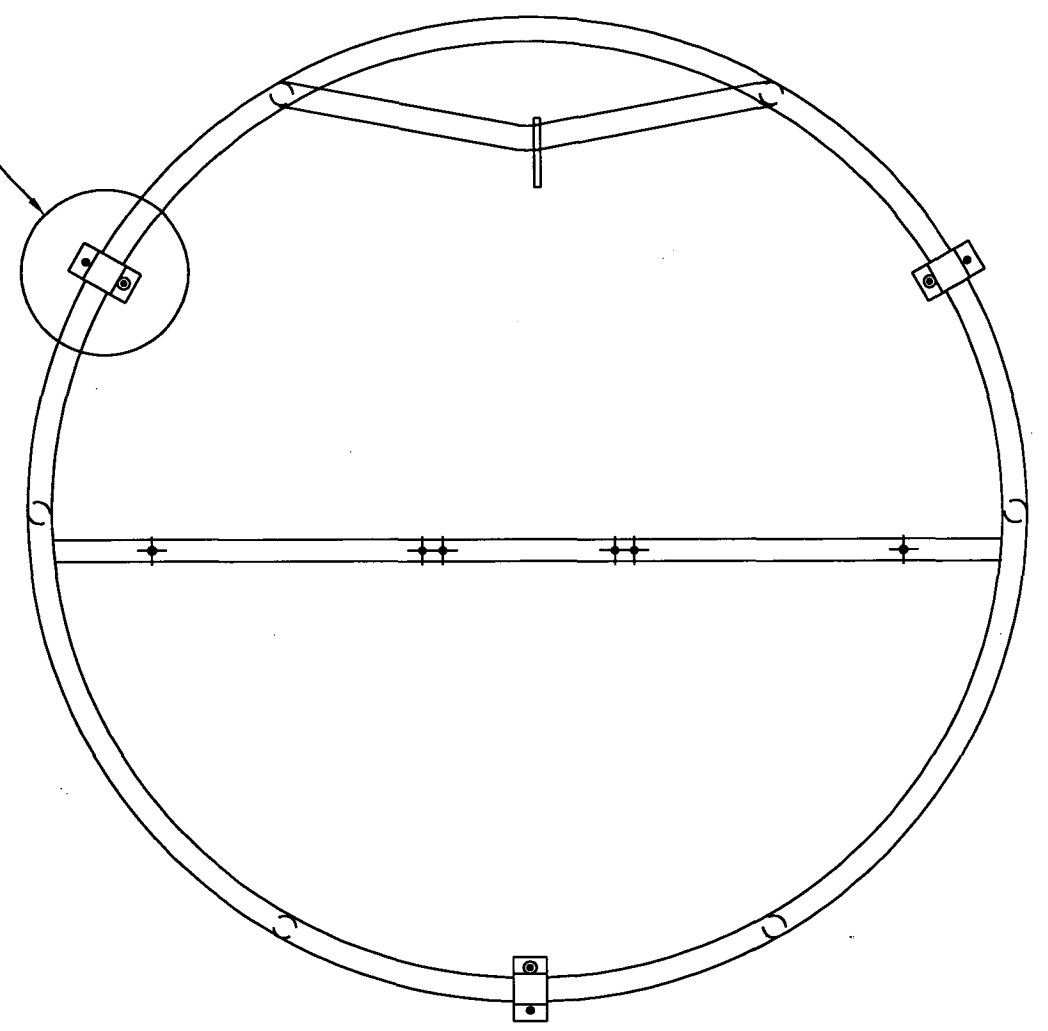
| DATE | SYM | REVISION RECORD | AUTH. | DR. | CK. |
|------|-----|-----------------|-------|-----|-----|
|      |     |                 |       |     |     |

DETAIL A:

SEE DETAIL A:



| I D    | Mount Kit | Mount Block                          |
|--------|-----------|--------------------------------------|
| 1.375" | 50296     | PN 23919, SBE32 Deck Pad, 1.375" Dia |
| 1"     | 50297     | PN 23918, SBE32 Deck Pad, 1" Dia     |



|            |                           |                |       |             |    |
|------------|---------------------------|----------------|-------|-------------|----|
| TOLERANCES | SEA-BIRD ELECTRONICS, INC |                |       |             |    |
| FRACTIONAL | P/N                       | Varies         | SCALE | DRAWN BY    | MJ |
| DECIMAL    | TITLE                     |                | NTS   | APPROVED BY |    |
| ANGULAR    | DATE                      | DRAWING NUMBER | REV   |             |    |
|            | 11.12.01                  | 67117          |       |             |    |

01/12/01