



SEA-BIRD ELECTRONICS, INC.

1808 136th Place N.E., Bellevue, Washington 98005 USA
 Telephone: (425) 643-9866 Telex: 292915 SBEI UR
 Fax: (425) 643-9954 email: seabird@seabird.com

SBE P/N 50340

DATE	SYM	REVISION RECORD	AUTH	DR	CHK

SBE 32 Small Frame Complete Hardware Kit

Hub/ Adapter Plates/ Frame

SBE P/N	Part Description	Primary SBE Application	QTY
30044	Seacat Anode, 1"	6 used on guards	6
30231	Nut, 1/2-13 Hex	Pylon hub to top & bottom guards	8
30259	Washer, 1/2 flat/narrow	2 on each Hub/Plate/Guard bolt (30603)	16
30594	Washer, 1/2 split ring	1 on each Hub/Plate/Guard bolt (30603)	8
30596	Screw, 1/4-20 x 1-1/2 FH	Frame bars to guards	12
30603	Screw, 1/2-13 x 3-1/2 Socket	Adapter plates / hub to guards	8

Deck Pads

SBE P/N	Part Description	Primary SBE Application	QTY
23918	SBE32 Deck Pad, 1" Dia.	Installed on Carousel Frame to protect from deck surface	6
30254	Washer, 1/4 th Split ring lock	Used on Cap Screws	6
30377	Cap Screw, 1/4-20 x 1-1/4, SH	Secures Deck Pads together on Carousel Frame	6
30570	Washer, 1/4 th Flat	Used on Cap Screws	6

Extension Stand

SBE P/N	Part Description	Primary SBE Application	QTY
23686	SBE 32 CTD Mount Clamp	CTD Cage to Extension Stand	4
23687	SBE 32 CTD Insulator Bushing	Placed in extension stand CTD eyelet mounting hole	1
23688	SBE 32 CTD Insulator Washer	Used with CTD eyelet mounting nut, bolt, and bushing	1
23694	SBE 32 Cage U-Bolt	Interface Extension Stand to Lower Guard	4
23695	SBE 32 Cage Flange	Interface Extension Stand to Lower Guard	4
30044	Seacat Anode, 1"	2 used on extension stand	2
30195	Bolt, 3/8-16 x 1-1/2 Hex SS	CTD cage top bar to extension stand	1
30210	Nut, 3/8-16 nylon stop	Extension stand U-Bolts; 1 on CTD bolt (30195)	9
30253	Washer, 1/4 fender	Used with CTD mounting clamp screws (30602)	4
30254	Washer, 1/4" Split Ring Lock	Used with CTD mounting clamp screws (30602)	4
30257	Washer, 3/8 flat	Extension stand U-Bolts, 2 on CTD mount bolt (30195)	10
30409	Teflon Tape	Used on all strapping, contact points of U bolts and flanges	3'
30602	Screw, 1/4-20 x 2-1/4 Socket	CTD mount clamp securing screws	4

Lifting Bail

SBE P/N	Manufacturer P/N	Primary SBE Application	QTY
23920	SBE 32 Small Bail Insulator	Bale to Lower hub / Adapter Plate	4
23921	SBE 32 Small Bail Insulator	Bale to Upper hub / Adapter Plate	2
30231	Nut, 1/2-13 Hex SS	Secures Bale / Hub / Lower Adapter Plates	4
30259	Washer, 1/2" Flat Narrow	Secures Bale / Hub / Lower Adapter Plates	4
30594	Washer, 1/2" Split Ring Lock	Secures Bale / Hub / Lower Adapter Plates	2

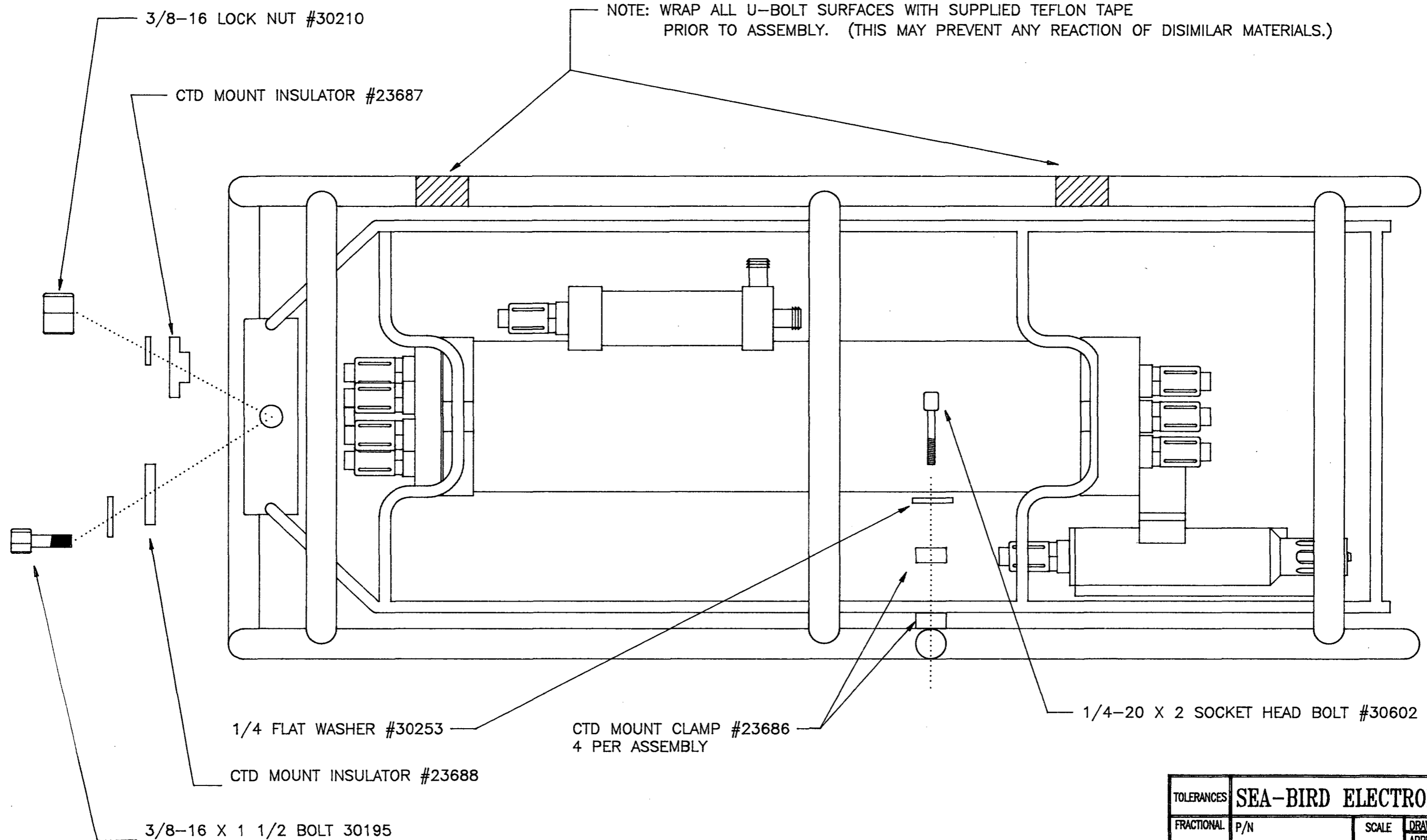
SBE Drawings:

- 40683 CTD Extension Stand Installation
- 40684 Hub/Adapter/Frame Assembly
- 40713 Carousel Frame Assembly
- 67117 Deck Pad Assembly

Sea-Bird Electronics Procedure

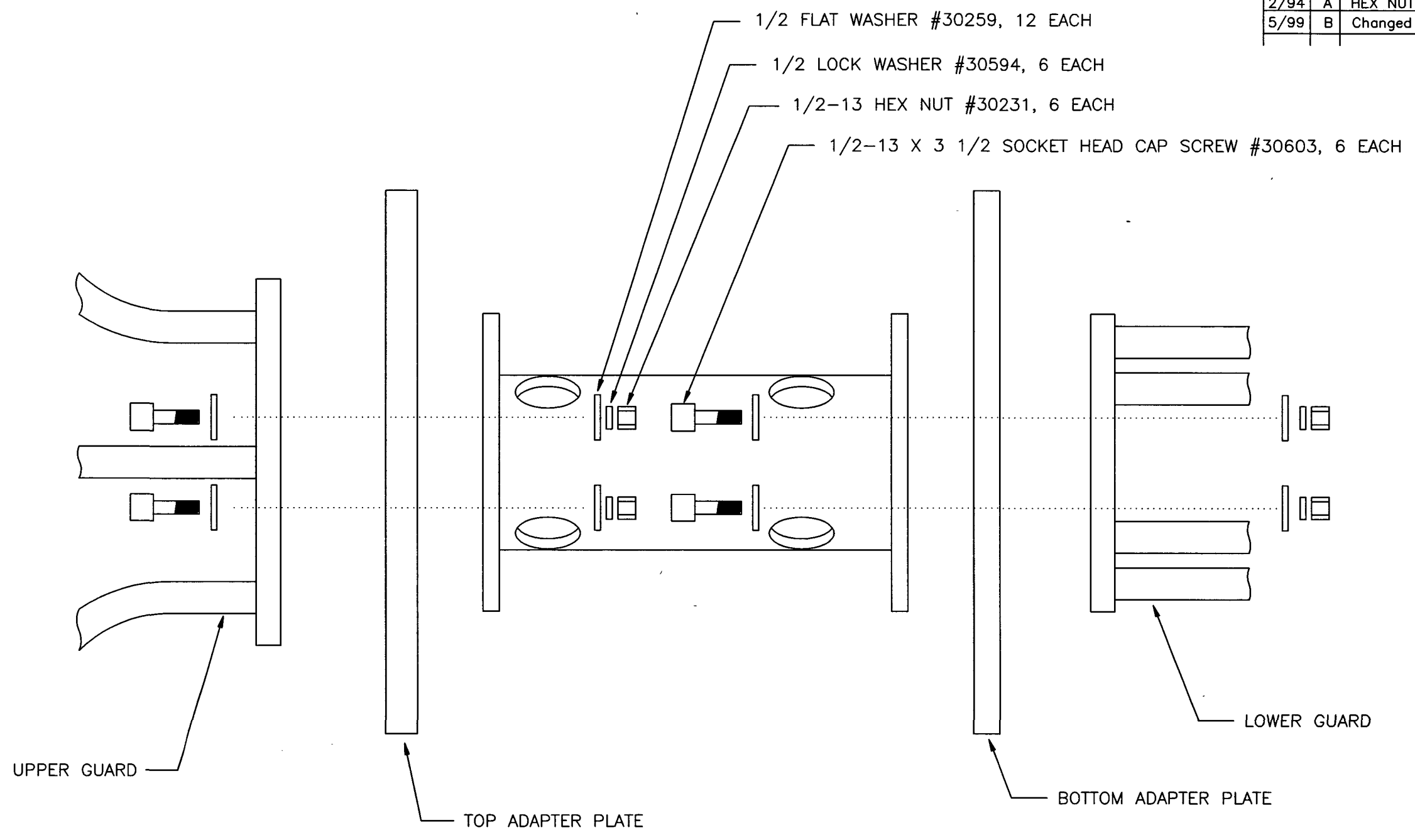
PROCEDURE NUMBER: 67139
 TITLE: **SBE 32 Small Frame Complete Hardware Kit**
 REVISION:
 EFFECTIVE DATE: 07/14/2003
 CHECKED BY: _____ PAGE 1 of 1

DATE	SYM	REVISION RECORD	AUTH.	DR.	CK.



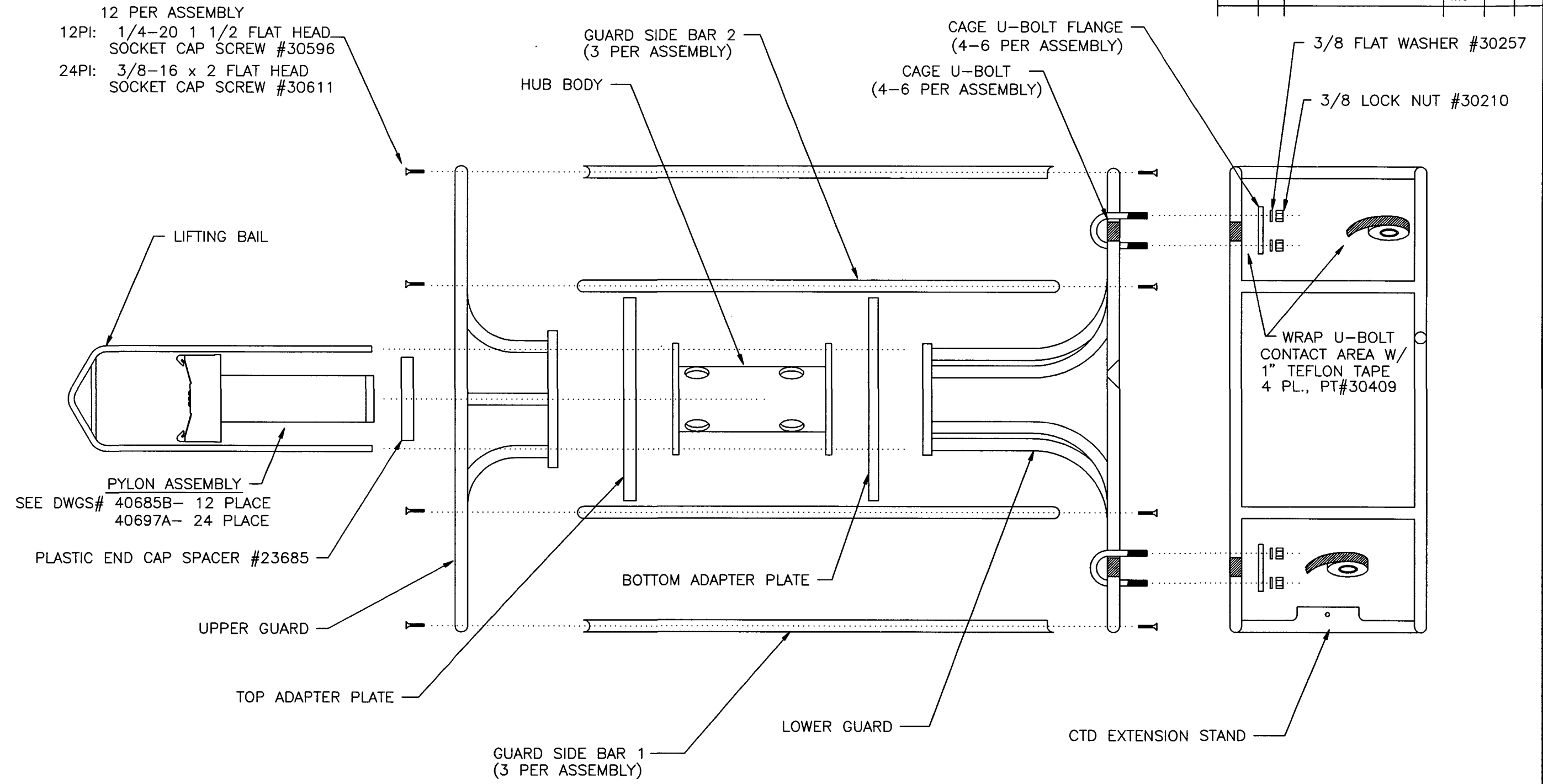
TOLERANCES	SEA-BIRD ELECTRONICS, INC				
FRACTIONAL	P/N	SCALE	DRAWN BY DJM		
DECIMAL	TITLE SBE 32 CTD EXTENSION STAND CTD INSTALLATION		APPROVED BY		
ANGULAR	DATE 10/22/93	DRAWING NUMBER 40683	REV		

DATE	SYM	REVISION RECORD	AUTH.	DR.	CK.
2/94	A	HEX NUT & LABELING	PG	DG	
5/99	B	Changed Bolt Quantity	MJ		



TOLERANCES	SEA-BIRD ELECTRONICS, INC			
FRACTIONAL	P/N	SCALE	DRAWN BY DJM	
DECIMAL	TITLE SBE 32 HUB/ADAPTER/FRAME ASSEMBLY DETAIL			
ANGULAR	DATE	DRAWING NUMBER	REV	
	10/22/93	40684	B	

DATE	SYM	REVISION RECORD	AUTH.	DR.	CK.
3.14.95	A	CHANGED MISC. TEXT			
5.99	B	Added 24PI Hardware	MJ		



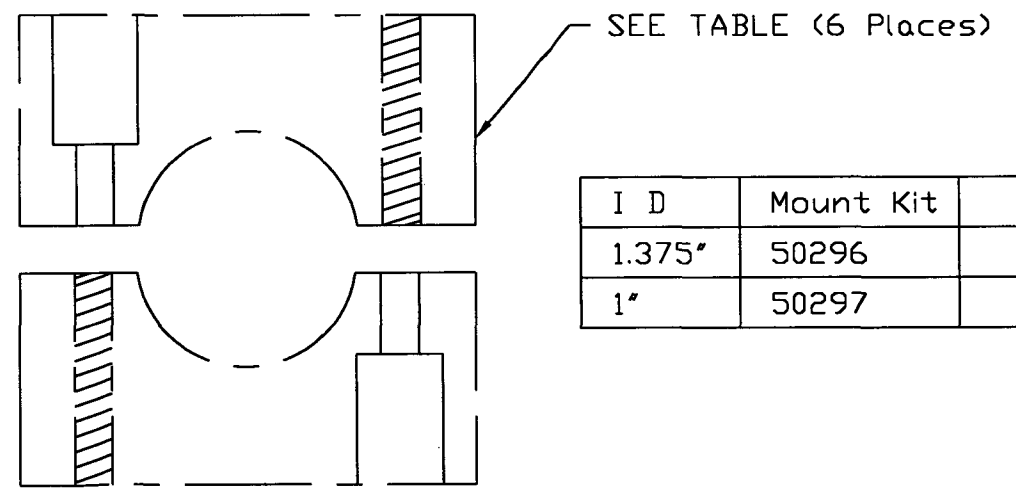
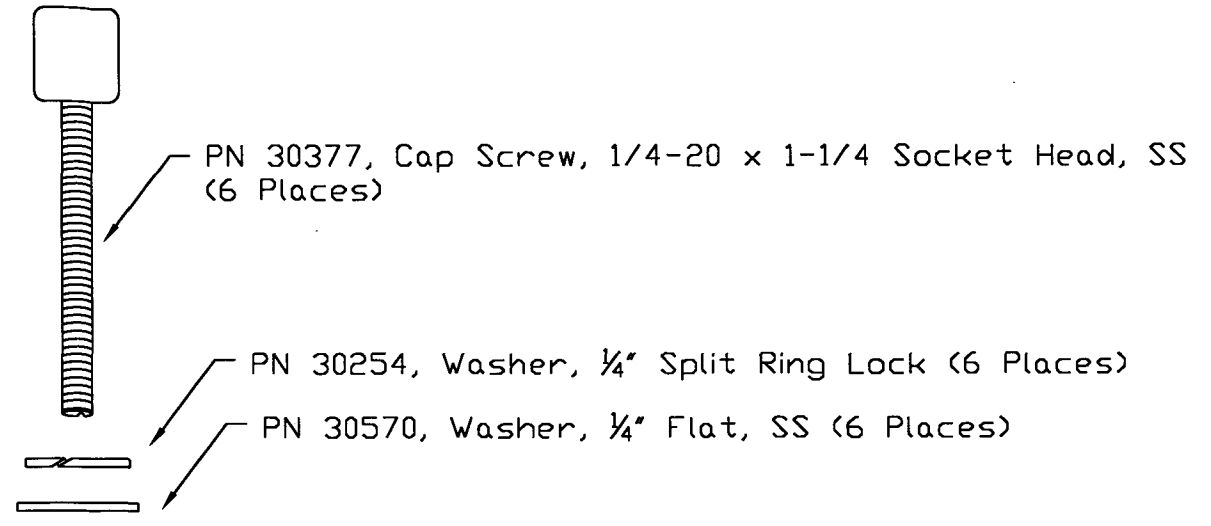
NOTES:
 1. REFER TO DRAWING 40714 FOR SPECIFIC PART NUMBERS FOR EACH FRAME TYPE

TOLERANCES	SEA-BIRD ELECTRONICS, INC				
FRACTIONAL	P/N	SCALE	DRAWN BY DG		
DECIMAL	TITLE		APPROVED BY		
ANGULAR	DATE	DRAWING NUMBER	REV		
	4/11/94	40713	B		
			SBE 32 CAROUSEL FRAME ASSEMBLY		

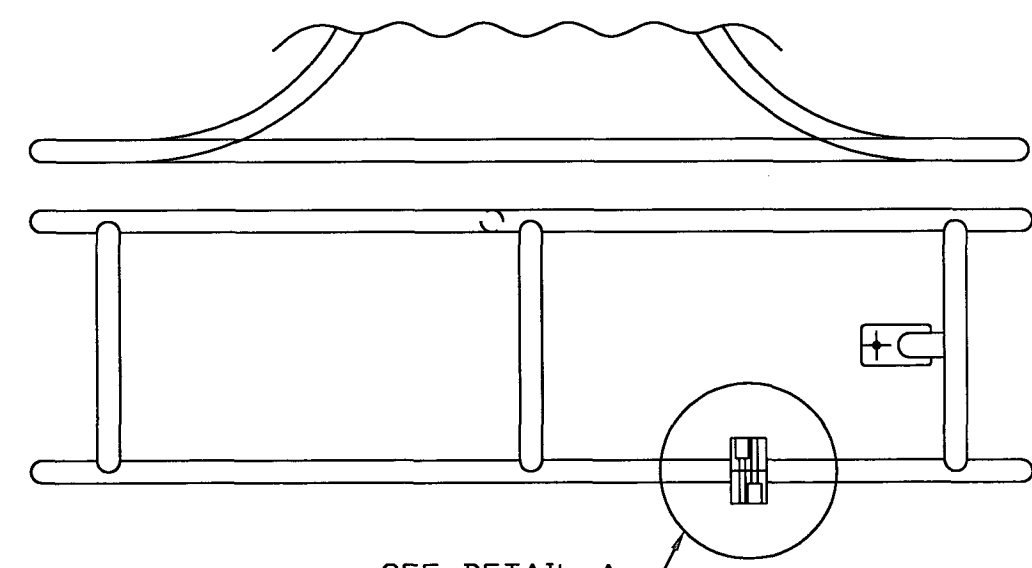
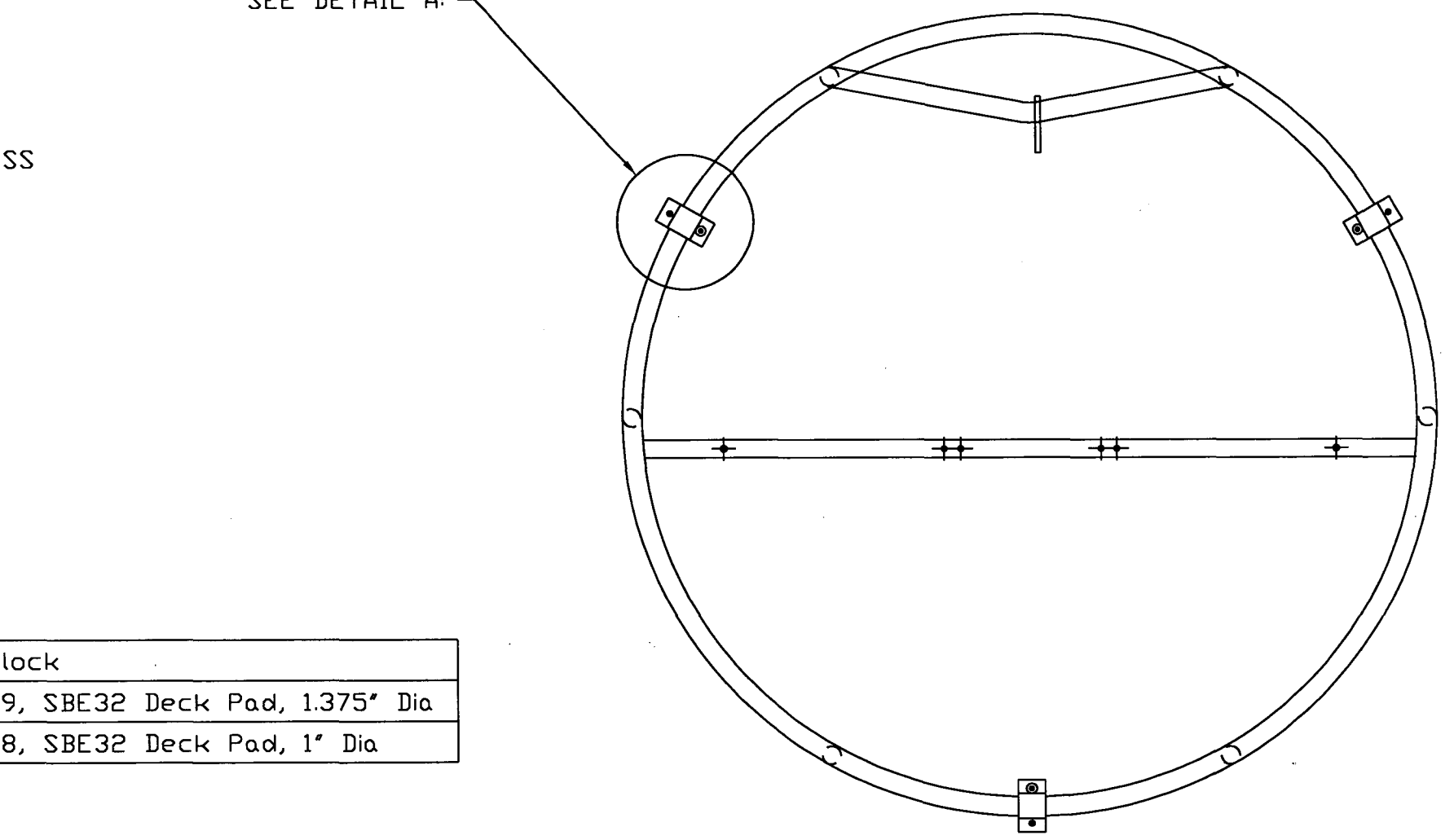
DATE	SYM	REVISION RECORD	AUTH.	DR.	CK.

DETAIL A:

SEE DETAIL A:



I D	Mount Kit	Mount Block
1.375"	50296	PN 23919, SBE32 Deck Pad, 1.375" Dia
1"	50297	PN 23918, SBE32 Deck Pad, 1" Dia



TOLERANCES	SEA-BIRD ELECTRONICS, INC				
FRACTIONAL	P/N	Varies	SCALE	DRAWN BY	MJ
DECIMAL	TITLE		NTS	APPROVED BY	
ANGULAR	DATE	DRAWING NUMBER	REV		
	11.12.01	67117			

01/12/01