



SEA-BIRD ELECTRONICS, INC.

1808 136th Place N.E., Bellevue, Washington 98005 USA

Telephone: (425) 643-9866 Telex: 292915 SBEI UR

Fax: (425) 643-9954

email: seabird@seabird.com

SBE P/N 50342

DATE	SYM	REVISION RECORD	AUTH	DR	CHK

SBE32C/SBE32SC Complete Spare Hardware Kit

Carousel Frame Hardware

SBE P/N	Manufacturer P/N	Primary SBE Application	QTY
30044	Seacat Anode, 1"	4 used on upper and lower guards, 4 used on adapter plates	8
30231	Nut, 1/2-13 Hex, SS	Used with upper/lower guards to hub body securing screws	8
30254	Washer, 1/4 Split, SS	Used with coil/actuator endcap to hub securing screws	4
30259	Washer, 1/2" Flat Narrow	16 used with guard screws (two per screw), 4 on lower guard	20
30594	Washer, 1/2" Split Ring Lock	8 used with upper/lower guards to hub body securing screws	12
30596	Mach screw, 1/4-20 x 1-1/2 FH	Secure side bars to upper and lower guards on SBE 32C frame	8
30603	Mach screw, 1/2-13 x 3-1/2"	Secure upper and lower guards and adapter plates to hub body	8
30613	Mach screw, 1/2-13 x 3" Soc.	Secure lower guard to bottom adapter plate	4
30666	Bostik Blue Moly	Used on threaded hardware to prevent seizing	1 can

Lifting Bail Hardware

SBE P/N	Manufacturer P/N	Primary SBE Application	QTY
23920	SBE 32 Small Bail Insulator	Bale to Lower hub / Adapter Plate	4
23921	SBE 32 Small Bail Insulator	Bale to Upper hub / Adapter Plate	2
30231	Nut, 1/2-13 Hex SS	Secures Bale / Hub / Lower Adapter Plates	4
30259	Washer, 1/2" Flat Narrow	Secures Bale / Hub / Lower Adapter Plates	4
30594	Washer, 1/2" Split Ring Lock	Secures Bale / Hub / Lower Adapter Plates	2

Deck Pad Hardware

SBE P/N	Manufacturer P/N	Primary SBE Application	QTY
23918	SBE32 Deck Pad, 1" Dia.	Deck Pads Used to protect Carousel Base	6
30254	Washer, 1/4 Split, SS	Used with coil/actuator endcap to hub securing screws	6
30377	Cap Screw, 1/4-20 x 1-1/4 SS	Secure Deck Pad clamps together	6
30570	Washer, 1/4" Flat, SS	Used with deck pad securing screws	6

- 40713** SBE 32 Carousel Frame Assembly
- 40683** SBE 32 CTD Extension Stand Installation
- 67033** SBE32 Lifting Bail Installation
- 67117** SBE 32 Deck Pad Assembly

Sea-Bird Electronics Procedure

PROCEDURE NUMBER: 67141

TITLE: **SBE32C/SBE32SC Complete Spare Hardware**

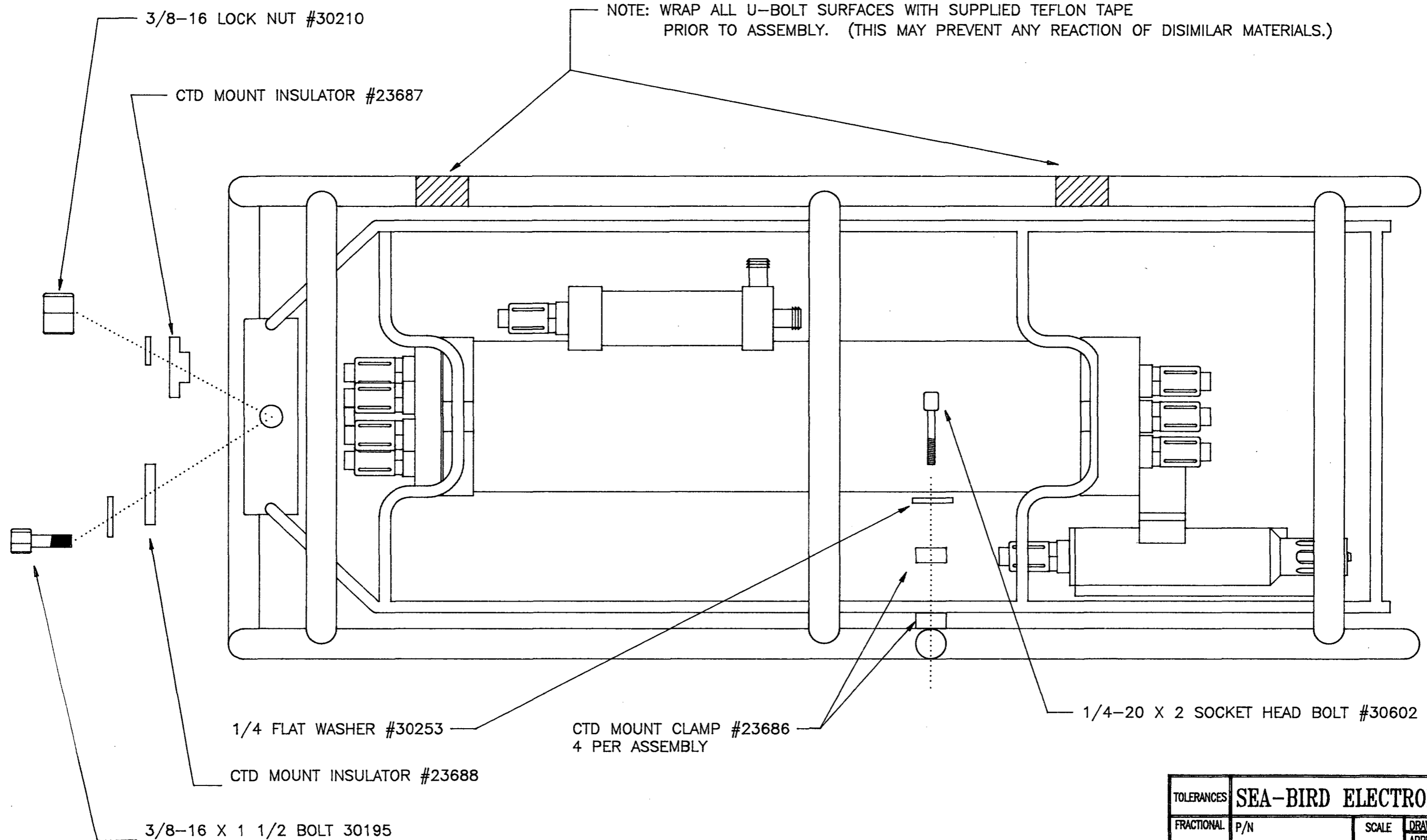
REVISION:

EFFECTIVE DATE: **07/14/2003**

CHECKED BY:

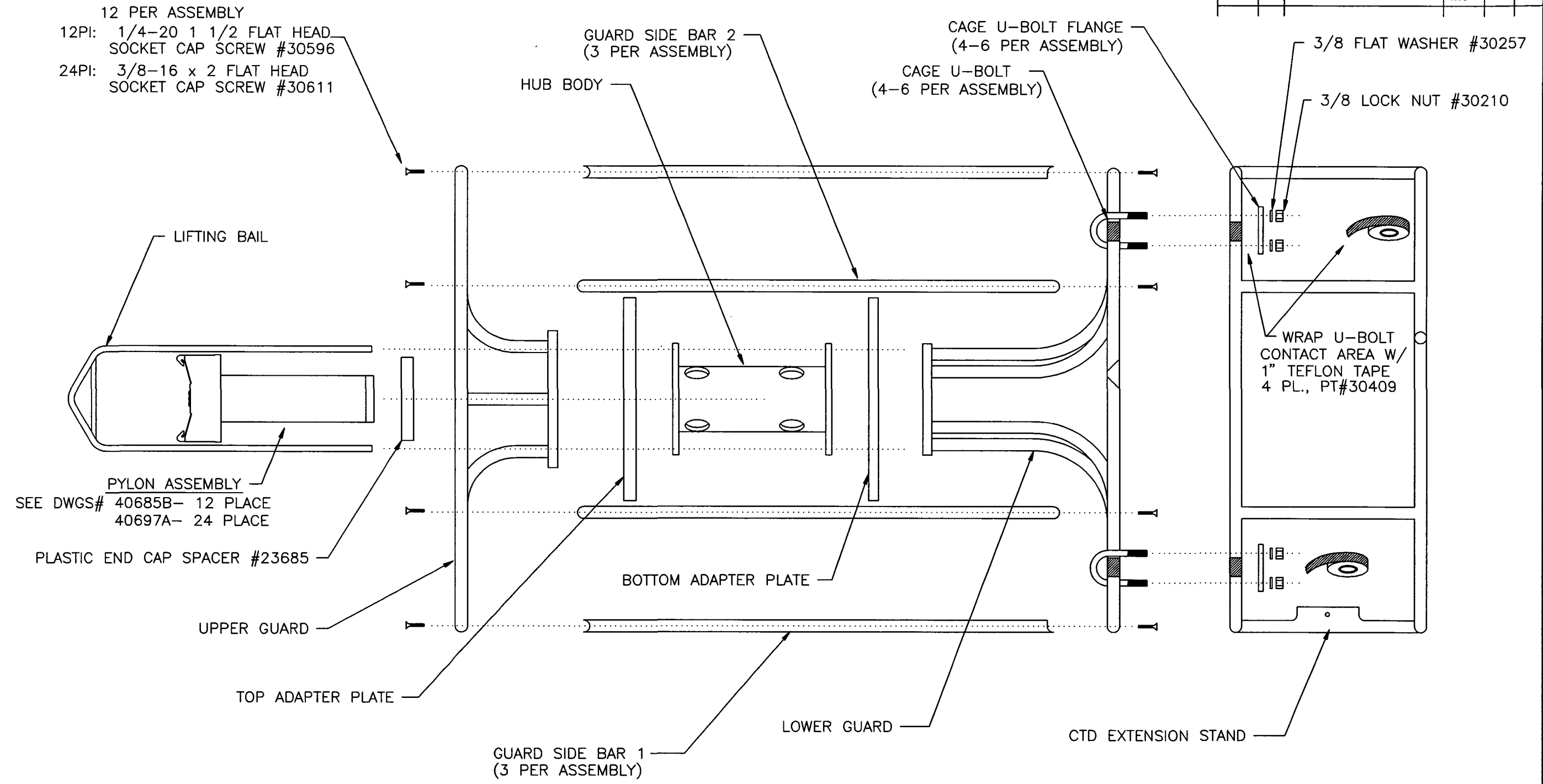
PAGE 1 of 1

DATE	SYM	REVISION RECORD	AUTH.	DR.	CK.



TOLERANCES	SEA-BIRD ELECTRONICS, INC				
FRACTIONAL	P/N	SCALE	DRAWN BY DJM APPROVED BY		
DECIMAL	TITLE SBE 32 CTD EXTENSION STAND CTD INSTALLATION				
ANGULAR	DATE 10/22/93	DRAWING NUMBER 40683	REV		

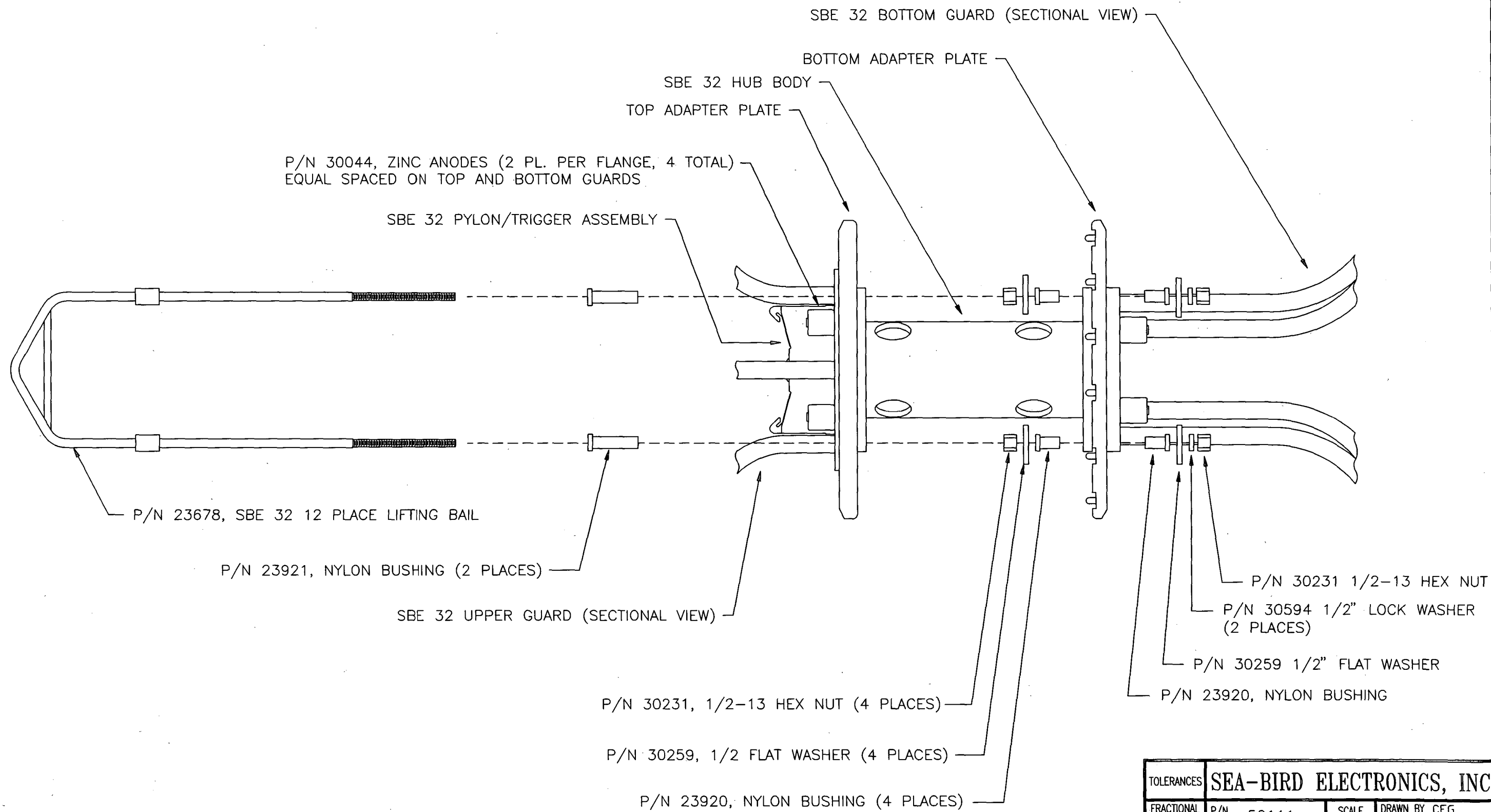
DATE	SYM	REVISION RECORD	AUTH.	DR.	CK.
3.14.95	A	CHANGED MISC. TEXT			
5.99	B	Added 24PI Hardware	MJ		



NOTES:
 1. REFER TO DRAWING 40714 FOR SPECIFIC PART NUMBERS FOR EACH FRAME TYPE

TOLERANCES	SEA-BIRD ELECTRONICS, INC				
FRACTIONAL	P/N	SCALE	DRAWN BY	DG	
DECIMAL	TITLE	SBE 32 CAROUSEL FRAME ASSEMBLY			
ANGULAR	DATE	DRAWING NUMBER	40713	REV	B
	4/11/94				

DATE	SYM	REVISION RECORD	AUTH.	DR.	CK.



NOTE: APPLY THREAD ANTI-SEIZE TO ALL THREADED HARDWARE PRIOR TO ASSEMBLY

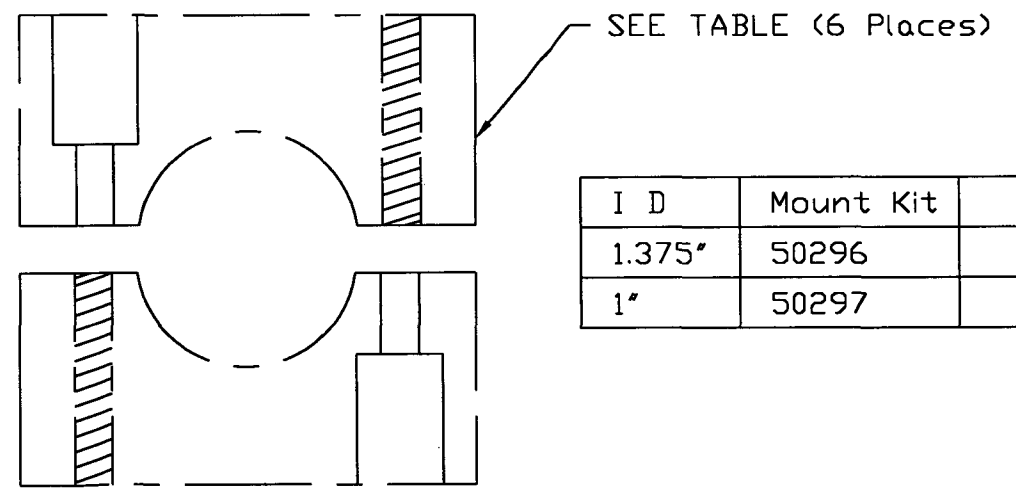
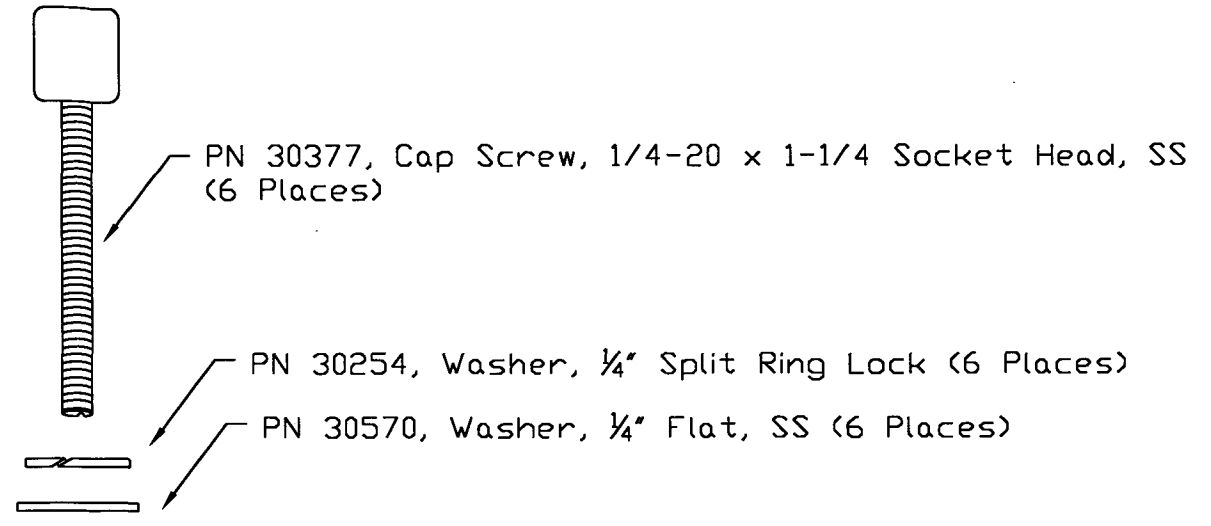
TOLERANCES	SEA-BIRD ELECTRONICS, INC				
FRACTIONAL	P/N 50111	SCALE NTS	DRAWN BY CEG		
DECIMAL	TITLE SBE 32 12 PLACE LIFTING BAIL INSTALLATION ASSEMBLY		APPROVED BY		
ANGULAR	DATE 6.1.98	DRAWING NUMBER 67033	REV		

Handwritten signature or initials

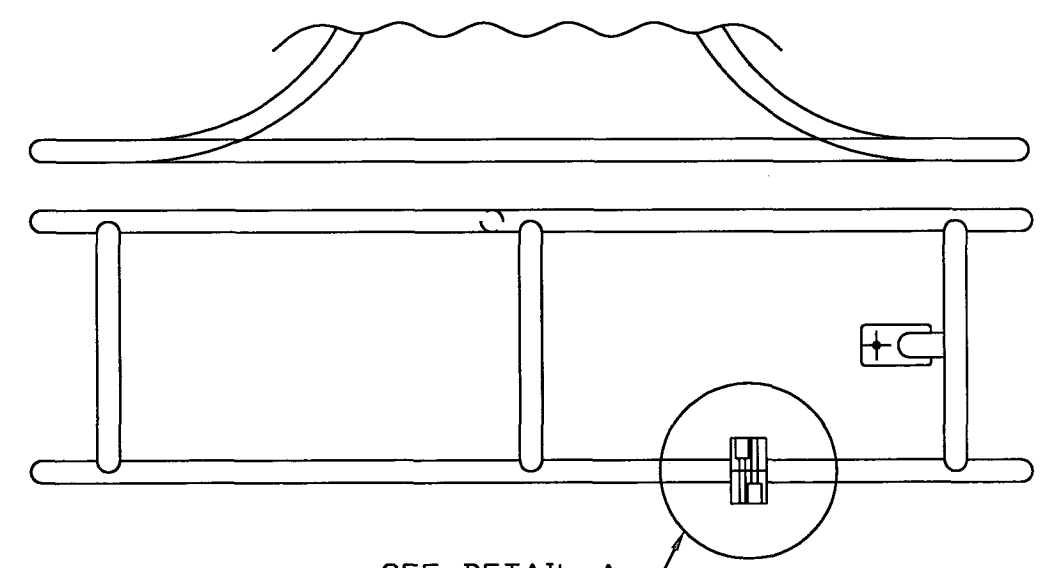
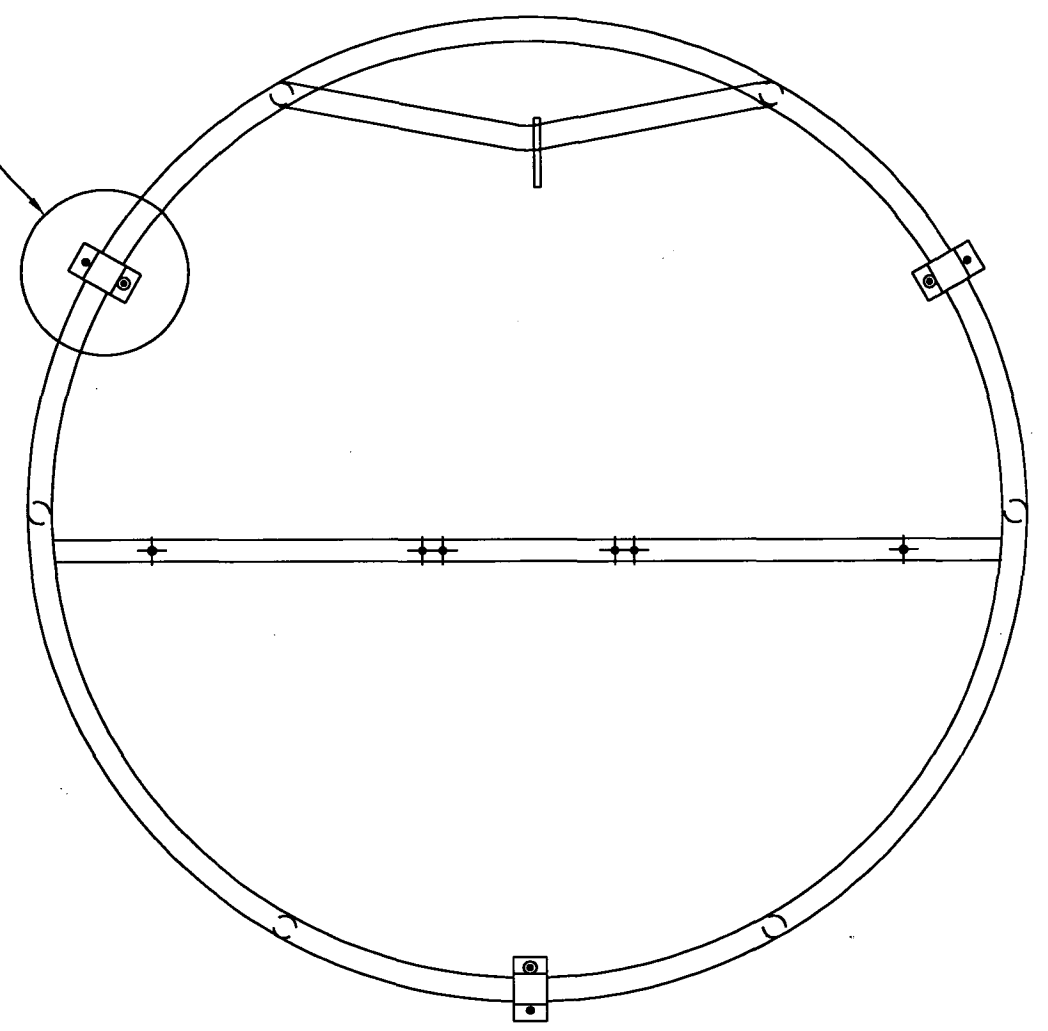
DATE	SYM	REVISION RECORD	AUTH.	DR.	CK.

DETAIL A:

SEE DETAIL A:



I D	Mount Kit	Mount Block
1.375"	50296	PN 23919, SBE32 Deck Pad, 1.375" Dia
1"	50297	PN 23918, SBE32 Deck Pad, 1" Dia



SEE DETAIL A:

TOLERANCES	SEA-BIRD ELECTRONICS, INC				
FRACTIONAL	P/N	Varies	SCALE	DRAWN BY	MJ
DECIMAL	TITLE		NTS	APPROVED BY	
ANGULAR	DATE	DRAWING NUMBER	REV		
	11.12.01	67117			

01/12/01