



SEA-BIRD ELECTRONICS, INC.

13431 NE 20th Street, Bellevue, Washington 98005 USA
Telephone: (425) 643-9866 Telex: 292915 SBEI UR
Fax: (425) 643-9954 Email: seabird@seabird.com

SBE P/N varies

DATE	SYM	REVISION RECORD	AUTH	DR	CHK
8/10/04	A	Added drawing		KLP	
2/18/11	B	ECN 1301	CB	PC	

SBE 37 IMP-IDO V3 Cable Clamp Assembly Kit

UNIVERSAL KIT CONTENTS

SBE P/N	Manufacturer P/N	Primary SBE Application	QTY
30633	Washer, 1/4" Split Ring, Ti	Used with cable guide cap and cable clamp securing bolts	2
30634	Washer, 1/4" Flat, Ti	Used with cable guide cap and cable clamp securing bolts	2
30867	Washer, Titanium, #6 Split Lock	Secures the clamp to endcap	1
30900	Mach Screw, 1/4-20x2" Hex Ti	Secures cable guides/clamps to endcaps	2
31019	O-Ring, 2-008 N674-70	Placed on cable clamp 1/4-20 bolts as retainers	2
31020	Mach Screw, 4-40 x 1", FH, SS	Secures the guide pieces in place	4
31873	Cap Screw, 6-32 X 1/2, Socket Head, Ti	Secures the clamp to endcap	1

SPECIFIC KIT CONTENTS (varies to specified wire size)

SBE P/N	Manufacturer P/N	Primary SBE Application	QTY
Varies	SBE37 Microcat Cable Clamp	Attach to flat surface of sensor ec., clamps to cable	2
Varies	SBE37 Microcat Cable guide, Part 1	Attach to cable guide base to lock down mooring cable	1
Varies	SBE37 Microcat Cable guide, Part 2	Attach to battery/connector endcap to hold cable	1

KIT PART NUMBERS

SBE P/N	Kit Description
50484	SBE37 Modular Cable Clamp Kit, 5/32"
50485	SBE37 Modular Cable Clamp Kit, 17/32"
50486	SBE37 Modular Cable Clamp Kit, 1/4"
50487	SBE37 Modular Cable Clamp Kit, 7/32"/6mm
50488	SBE37 Modular Cable Clamp Kit, 5/16"/8mm
50489	SBE37 Modular Cable Clamp Kit, 3/8"

SBE P/N	Kit Description
50490	SBE37 Modular Cable Clamp Kit, 10mm
50491	SBE37 Modular Cable Clamp Kit, 7/16"/11.3mm
50492	SBE37 Modular Cable Clamp Kit, 1/2"
50493	SBE37 Modular Cable Clamp Kit, 12mm
50494	SBE37 Modular Cable Clamp Kit, 0.540"
50495	SBE37 Modular Cable Clamp Kit, 5/8"/16mm

Install Sensor Endcap Cable Guide Assembly

- Remove the bolt and washers from the endcap.
- Install the circular guide piece onto the removable side of the endcap.
 - Align it so that the cut out center faces outward.
 - Secure into place with one 4-40 x 1" (31020).
- Install the second guide piece into the endcap.
 - The longer flat surface faces out.
 - Secure into place with one 4-40 x 1" (31020).
- Insert the cable in the opening of the guard pieces.
- Secure the outer guide to the endcap.
 - Put one lock washer and one flat washer onto each bolt.
 - Insert each bolt back into the holes on the outside guide piece of the endcap.
 - Slide an o-ring over each bolt.
 - The o-rings should seat into the internal countersinks on the blocks.

SBE DRAWING NUMBER: 67142

REV: .02

TITLE: SBE37 IMP-IDO V3 Cable Clamp Assembly Kit

Sea-Bird Electronics Procedure

PROCEDURE NUMBER: 67142

TITLE: SBE37 IMP-IDO V3 Cable Clamp Assembly Kit

REVISION: B

EFFECTIVE DATE: 2/18/2011

CHECKED BY: PC PAGE 1 of 2



SEA-BIRD ELECTRONICS, INC.

13431 NE 20th Street, Bellevue, Washington 98005 USA
Telephone: (425) 643-9866 Telex: 292915 SBEI UR
Fax: (425) 643-9954 Email: seabird@seabird.com

Installing the Cable Clamp

1. Take one of the two identical blocks and install it in the cut out on the other end of the Microcat.
 - a. The side with the semi-circular cutout faces away from the sensor.
 - b. The small hole goes toward the sensor end of the Microcat and is secured with a 6-32 x 1/2" cap screw (31873) and a #6 split ring lock washer (30867).
2. Insert the cable in the opening of the guard pieces.
 - a. There will be no slipping once this pair is tightened down so make sure it is in the correct place.
3. Secure the outer guide to the endcap.
 - a. Put one lock washer (30633) and one flat washer (30634) onto each 1/4-20 bolt (30900).
 - b. Insert each bolt back into the holes on the outside guide piece of the endcap.
 - c. Slide an o-ring over each bolt.
 - *The o-rings should seat into the internal countersinks on the blocks.*

SBE DRAWING NUMBER: 67142

REV: .02

TITLE: SBE37 IMP-IDO V3 Cable Clamp
Assembly Kit

Sea-Bird Electronics Procedure

PROCEDURE NUMBER: **67142**

TITLE: **SBE37 IMP-IDO V3 Cable Clamp Assembly Kit**

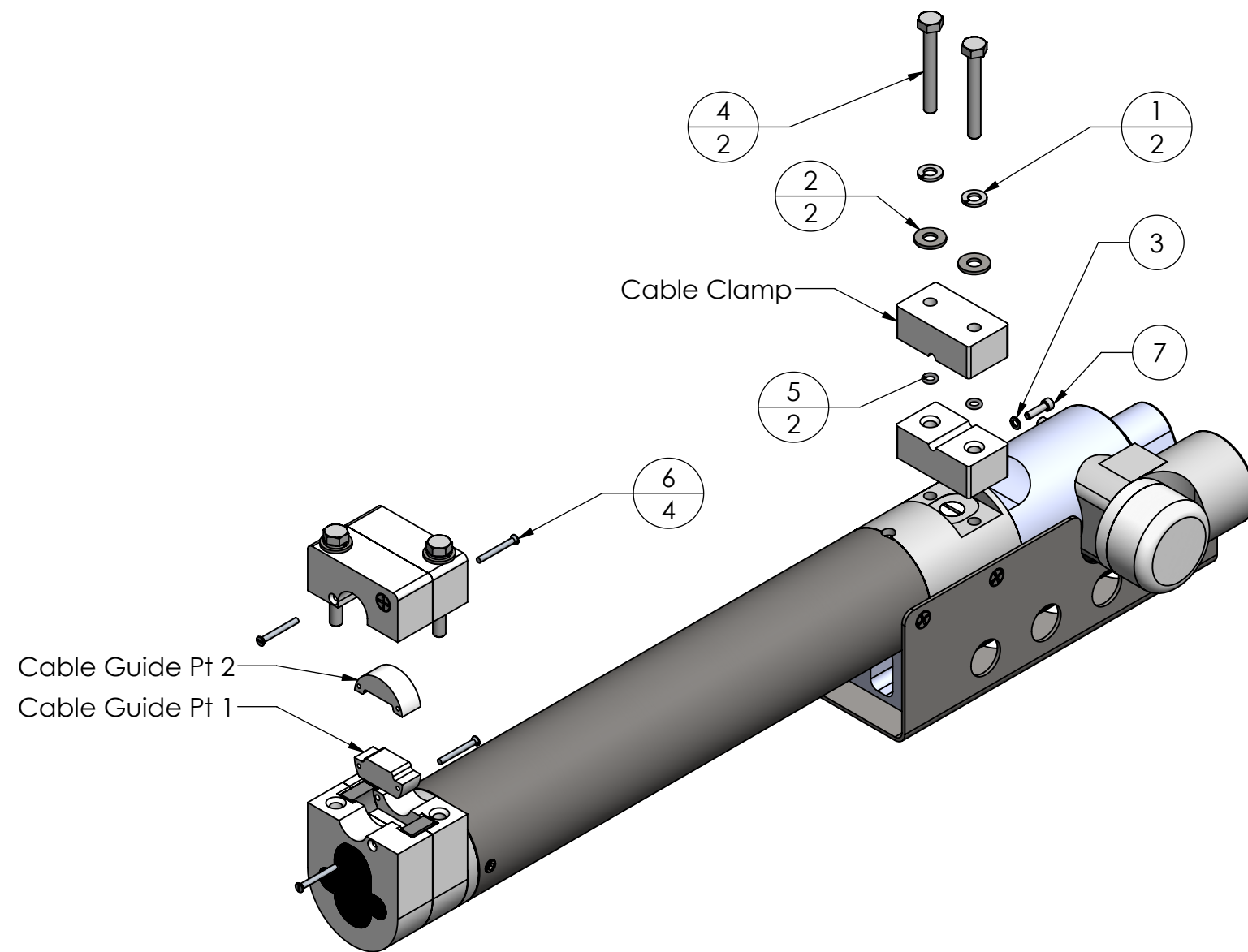
REVISION: **B**

EFFECTIVE DATE: **2/18/2011**

CHECKED BY: PC PAGE 2 of 2

ITEM NO.	PART NUMBER	DRAWING NUMBER	DESCRIPTION	QTY.
1	30633	N/A	Washer, 1/4" Split Ring Lock, Titanium	2
2	30634	N/A	Washer, 1/4" Flat, Titanium	2
3	30867	N/A	Washer, #6 Split Ring Lock, Ti	1
4	30900	N/A	Mach Screw, 1/4-20 X 2" Hex Head Titanium	2
5	31019	N/A	O-ring, Parker 2-008 N674-70	2
6	31020	N/A	Mach Screw, 4-40 x 1" SS, FH, Slotted	4
7	31873	N/A	Cap Screw, 6-32 x 3/4" Socket Head, Ti	1

REV.	DATE	ZONE	DESCRIPTION	AUTH	DWG	CHK
.02	2/17/2011		Updated for SBE37 V3	CB	PC	



Kit PN	Cable Size	Cable Clamp	Cable Guide Pt 1	Cable Guide Pt 2
No Kit	Generic	231766	232204	232205
50484	5/32"	232221	232222	232223
50485	17/32"	233135	233136	233137
50486	1/4"	231461	232381	232382
50487	7/32" / 6mm	231739	232387	232388
50488	5/16" / 8mm	231569	232379	232380
50489	3/8"	231722	232383	232384
50490	10mm	231740	232389	232390
50491	7/16" / 11.3mm	232342	233081	233082
50492	1/2"	231738	232385	232386
50493	12mm	231741	232391	232392
50494	0.540"	233135	233405	233406
50495	5/8" / 16mm	231762	232393	232394

UNLESS OTHERWISE SPECIFIED:		NAME	DATE	SEA-BIRD ELECTRONICS, INC. 13431 NE 20th Street, Bellevue, WA 98005 425-643-9866
DIMENSIONS ARE IN INCHES TOLERANCES: FRACTIONAL ± 1/x ANGULAR: ± 0.5° BEND ± .X ± .05 TYP RAD .01 .XX ± .01 .XXX ± .003 MACHINED SURFACES		DRAWN	PC 02/17/11	
INTERPRET GEOMETRIC TOLERANCING PER: ANSI Y14.5M - 1994		PROPRIETARY AND CONFIDENTIAL THE INFORMATION CONTAINED IN THIS DRAWING IS THE SOLE PROPERTY OF SEA-BIRD ELECTRONICS, INC. ANY REPRODUCTION IN PART OR AS A WHOLE WITHOUT THE WRITTEN PERMISSION OF SEA-BIRD ELECTRONICS, INC. IS PROHIBITED.		TITLE: SBE37 IMP-IDO V3 Cable Clamp Assembly Kit
MATERIAL N/A		COMMENTS: DEBUR AND BREAK SHARP EDGES		PART NO. See Table
FINISH N/A		Old Part/Draw Info N/A / N/A		SIZE B DWG. NO. 67142.02
DO NOT SCALE DRAWING				SCALE: 1:3 SHEET 1 OF 1