



SEA-BIRD ELECTRONICS, INC.

1808 136th Place N.E., Bellevue, Washington 98005 USA

Telephone: (425) 643-9866 Telex: 292915 SBEI UR

Fax: (425) 643-9954

email: seabird@seabird.com

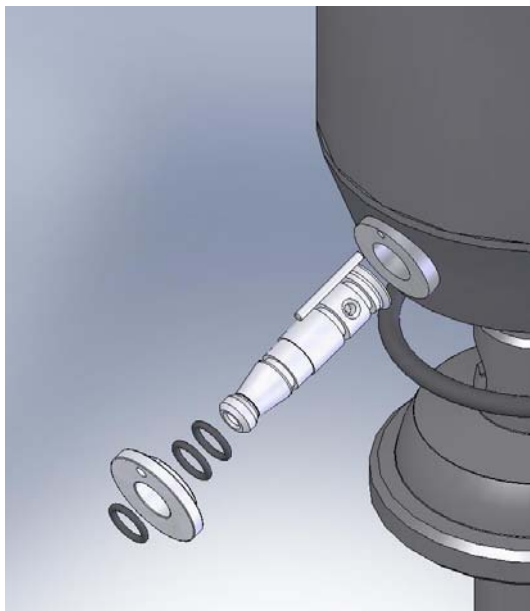
SBE P/N 50424

DATE	REV	REVISION RECORD	AUTH	DR	CHK

SBE Water Bottle Drain Fitting Kit

Kit Contents

SBE P/N	Part Description	Primary SBE Application	QTY
233589	SBE55 Water Bottle, Drain Fitting Barb	Provides a drain for the water inside the bottle	1
233590	SBE55 Water Bottle, Drain Fitting Ring	Attaches to barb and guide pin	1
30390	O-ring, Parker 2-012 N674-70	Seals drain fitting, secures ring to barb and barb to bottle	3



Procedure for Installing Drain Fitting

1. Image shows an exploded view of the drain fitting.
2. Install two o-rings into the two o-ring grooves furthest from the tapered end of the barb.
3. Insert the tapered end of the barb into the drain hole of the bottle from the inside.
4. Slide the ring over the barb and onto the guide pin until it is seated.
5. Install the last o-ring onto the remaining o-ring groove on the barb.

Parent Part Number:

SBE Drawings:

Related Assembly:

Drawings:

Sea-Bird Electronics Procedure

PROCEDURE NUMBER: **67182**

TITLE: **SBE PN 50424 SBE Water Bottle Drain Fitting Kit**

REVISION:

EFFECTIVE DATE: **07/03/2007**

CHECKED BY: PC

PAGE 1 of 1