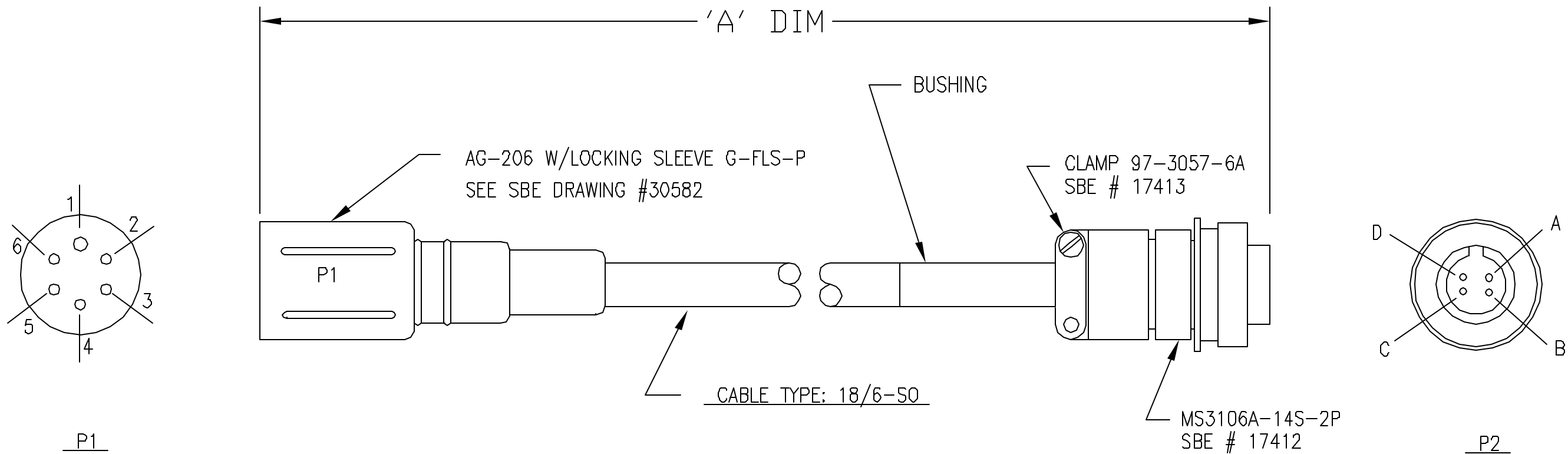


DATE	SYM	REVISION RECORD	AUTH.	DR.	CK.
3.30.95	A	ADDED TABLE AND PART #'S			



P1 AG-206	P2 MS3106A	COLOR
PIN 1	A	WHITE
PIN 2	B	BLACK
PIN 3	C	BLUE
PIN 4	-	-
PIN 5	-	-
PIN 6	D	RED

SBE PN	CABLE 'A'	DIM A
80555	17032	8 FT (2.46m)
80860	17757	65 FT (20m)
801453	17955	17 FT

REDRAWN ON ACAD 8/11/92

TOLERANCES	SEA-BIRD ELECTRONICS, INC		
FRACTIONAL	P/N SEE TABLE	SCALE 1:1	DRAWN BY BMC
DECIMAL	TITLE UNI OPTO BOX DATA CABLE ASSY 6 PIN TO 4 PIN		
ANGULAR	DATE 4/21/92	DRAWING NUMBER 31116	REV A