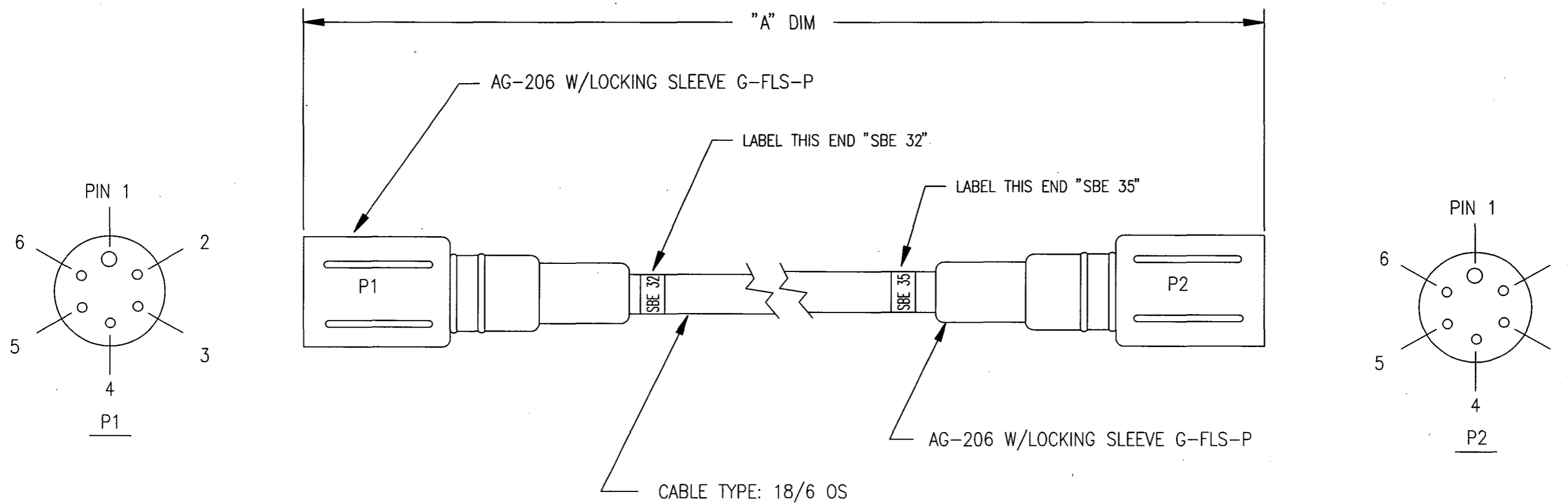


DATE	SYM	REVISION RECORD	AUTH.	DR.	CK.



SBE PART NO	A DIM
171221	96 IN.

P1 SBE32	P2 SBE35
PIN 1	PIN 1
PIN 2	NC
PIN 3	PIN 5
PIN 4	PIN 3
PIN 5	PIN 2
PIN 6	PIN 6

TOLERANCES	SEA-BIRD ELECTRONICS, INC			
FRACTIONAL	P/N SEE TABLE	SCALE 1:1	DRAWN BY CEG	APPROVED BY RB
DECIMAL	TITLE CABLE, SBE35 v2 TO SBE32 AG-206 W/ LOCKING SLEEVE			
ANGULAR	DATE 9.16.98	DRAWING NUMBER 32209	REV	