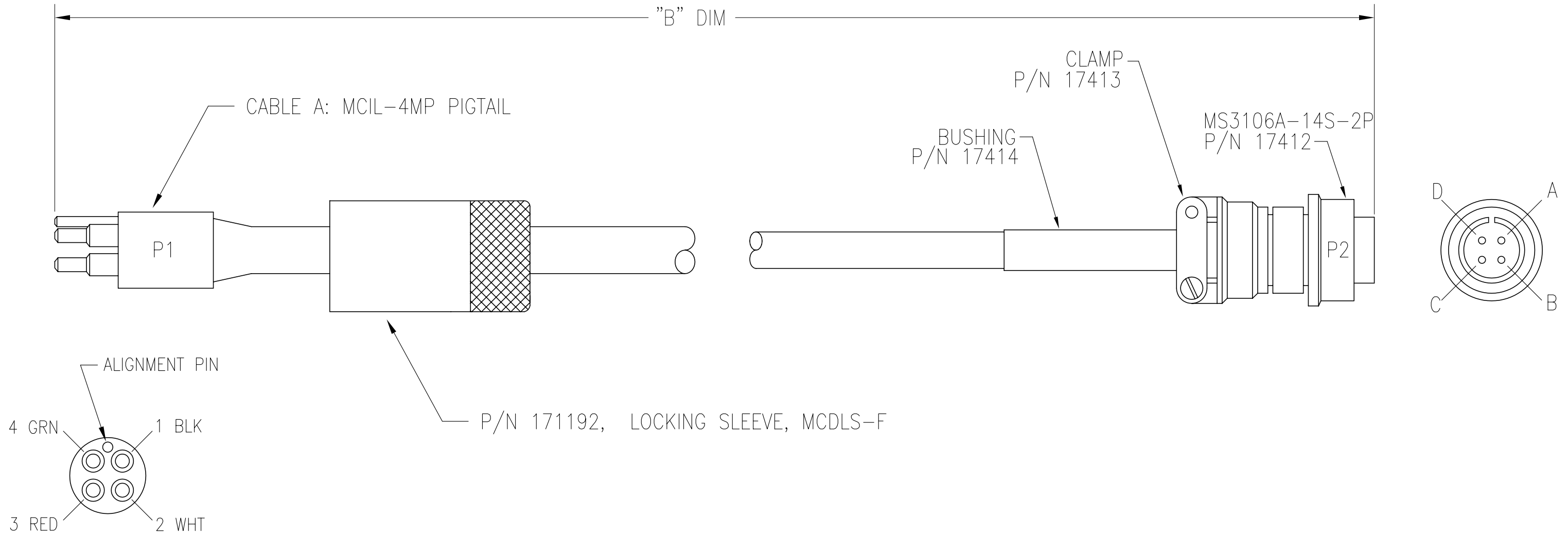


DATE	REV	REVISION RECORD	AUTH.	DR.	CK.
1.17.03	A	SWITCHED PINS	CB	KLP	



P1 MCIL-4MP	WIRE COLOR	P2 MS3106A
PIN 1	1 BLK	PIN A
PIN 2	2 WHT	PIN B \triangle
PIN 3	3 RED	PIN C \triangle
PIN 4	4 GRN	PIN D

ASSY P/N	"A" CABLE P/N	"B" DIM
801216	171364	8 FT
801416	171680	10 m
801417	171534	30 m
801418	171779	50 m
801702	172279	58 m

TOLERANCES	SEA-BIRD ELECTRONICS, INC		
FRACTIONAL	P/N SEE TABLE	SCALE -	DRAWN BY DG
DECIMAL	TITLE CABLE ASSY: SBE 46 TO SBE 45 TSG		
ANGULAR	DATE 5/24/00	DWG NO. 32397	REV A