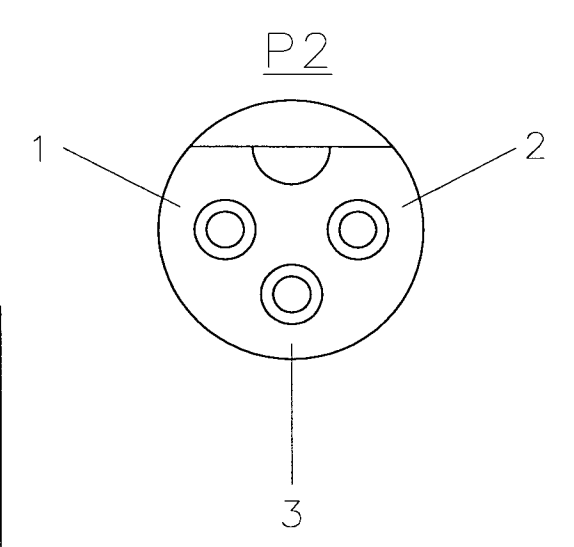


P/N	LENGTH
171558	21"

P1	P2
PIN 1	PIN 1
PIN 2	PIN 2
PIN 3	PIN 3



<b>SEA-BIRD ELECTRONICS, INC</b>			
P/N	SCALE	DRAWN BY	APPROVED BY
SEE TABLE	1:1	LRG	
CABLE: 3PIN, IE55W-1003-CCP TO IE55W-1003-CCP			
DATE	DWG NO.	SHEET	REV
7/6/01	32561	1 of 1	-