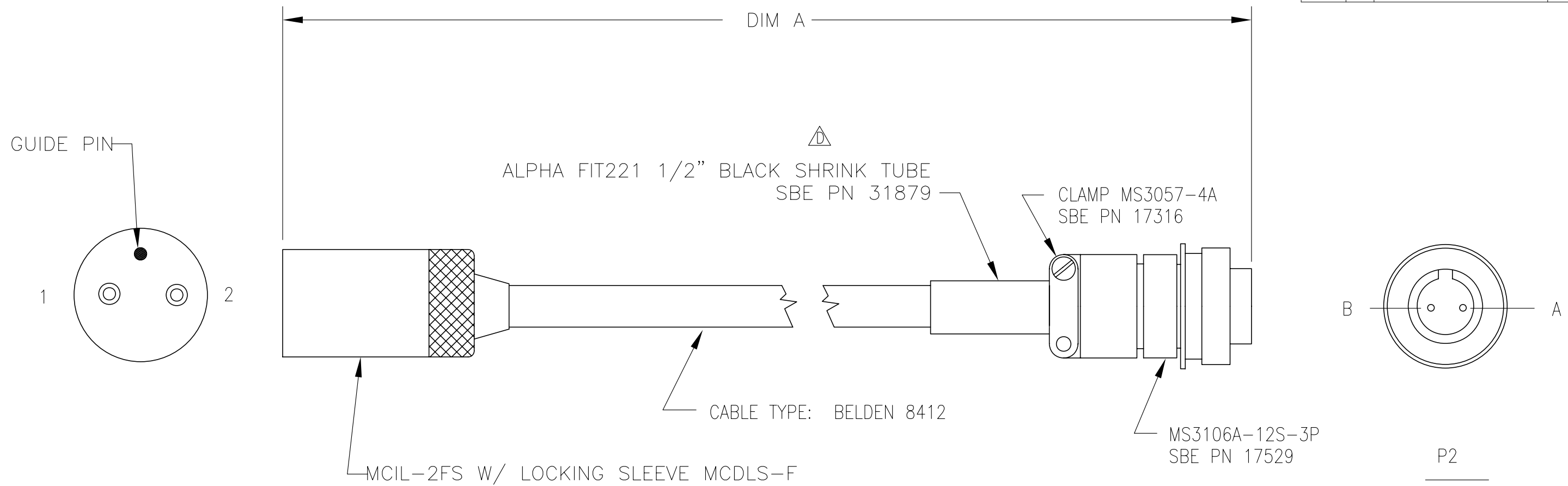


DATE	REV	REVISION RECORD	AUTH.	DR.	CK.
1.22.03	A	SWITCHED WIRE COLORS	CB	KLP	
8.1.07	B	CHANGED CABLE TYPE	CB	PC	
5.04.09	C	CORRECTED CONN BOOT	CB	PC	
9.27.10	D	CHANGED BOOT TO HEATSHRINK	CB	PC	



ASSY PN	PIGTAIL PN *	DIM A	
801363	171512	8 FT	2.5 M
801587	172105	33 FT	10 M
801738	172350	150 FT	46 M
801937	172623	493 FT	150 M
801962	172688	100 FT	31 M

\* PIGTAIL DWG 32514

WIRING CONNECTIONS		
P1 MCIL-2FS	COLOR	P2
PIN 1	WHITE	A
PIN 2	BLACK	B

TOLERANCES	SEA-BIRD ELECTRONICS, INC			
FRACTIONAL	P/N SEE TABLE	SCALE NTS	DRAWN BY KLP APPROVED BY	
DECIMAL	TITLE TEST CABLE, SBE 911 PLUS, SUBCONN			
ANGULAR	DATE 7.31.02	DRAWING NUMBER	32695	REV D