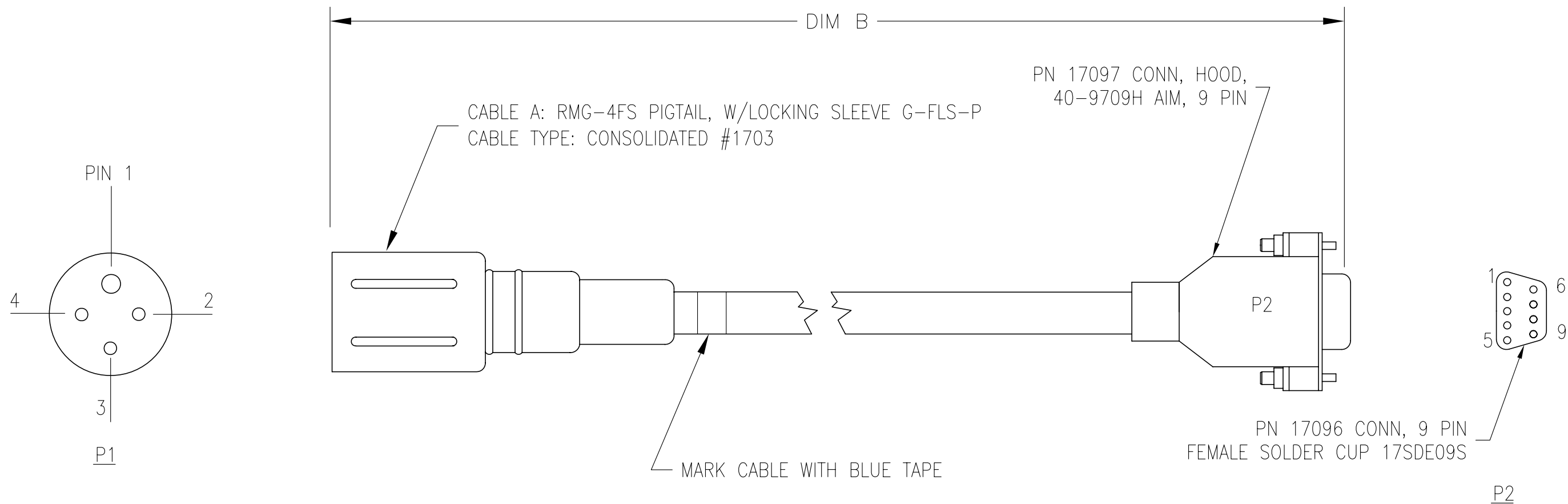


DATE	SYM	REVISION RECORD	AUTH.	DR.	CK.



RMG-4FS TO DB-25S CABLE ASSEMBLIES			
SBE PN	PIGTAIL PN	LENGTH	
		'B' (FT)	'B' (m)
801435	17831	8	2.5
801436	17221	66	20
801569	17764	27	8.5
801616	17204	33	10
801804	171978	49	15
801817	17183	83	25
802001	17232	99	30

PIGTAILS ARE PURCHASED PER DWG 30585

P1 RMG-4FS	COLOR	P2 DB-9S
PIN 1	SHIELD	PIN 5
PIN 2	BLACK	PIN 3
PIN 3	WHITE	PIN 2
PIN 4	RED	PIN 4

TOLERANCES	SEA-BIRD ELECTRONICS, INC			
FRACTIONAL	P/N SEE TABLE	SCALE NTS	DRAWN BY KLP	
DECIMAL	TITLE CABLE, AUTO-FIRE DATA I/O			
ANGULAR	DATE 5.29.03	DRAWING NUMBER	32808	REV