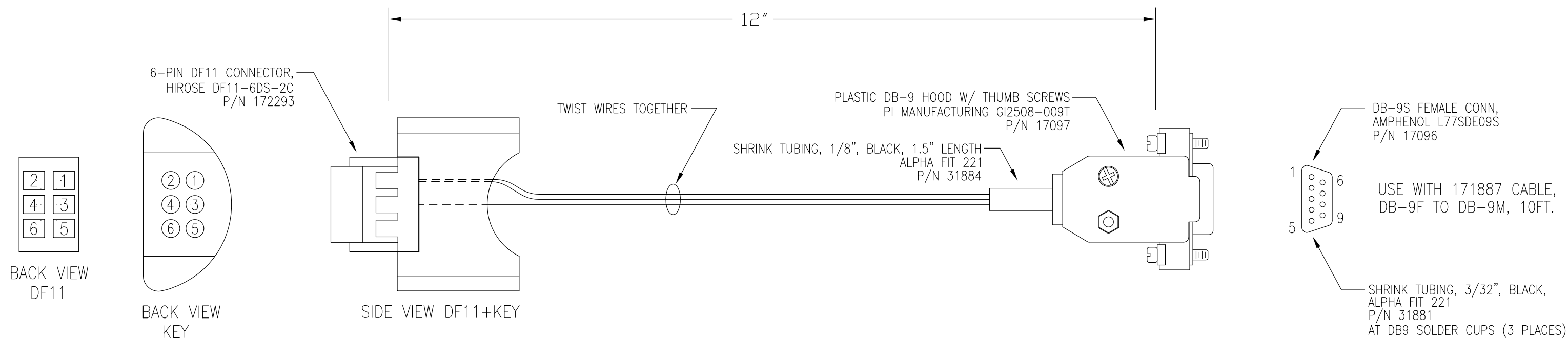


DATE	SYM	REVISION RECORD	AUTH.	DR.	CK.
01/13/11	A	CLARIFIED PART SPECS	CB	PC	
03/23/11	B	CORRECTED DF11 PART NO.	CB	PC	



1. PUSH WIRES INTO DF11 CONNECTOR.
1. PUSH WIRES THRU 233851 KEY (NOTE ORIENTATION) AND TWIST WIRES TOGETHER.
2. PLACE A 1.5" LENGTH OF 1/8" HEATSHRINK OVER ALL THREE WIRES AND PLACE A 0.3" LENGTH OF 3/32" HEATSHRINK OVER EACH INDIVIDUAL WIRE.
3. SOLDER WIRES INTO DB9 SOLDER CUPS.
4. PUSH (3 EACH) 3/32" HEATSHRINK DOWN OVER DB9 PINS AND SHRINK THEM.
5. PUSH 1/8" HEATSHRINK DOWN TO DB9 END AND SHRINK IT.
6. ASSEMBLE DB9 HOOD.

DF11 CONNECTOR	SBE P/N	COLOR	DIGIKEY CABLE P/N	DB9 CONNECTOR	FUNCTION
PIN 1	172463	VIOLET	H3BXG-10112-V4-ND	PIN 2	TX TO PC
PIN 2	172099	BLACK	H3BXG-10112-B4-ND	PIN 5	COMMON
PIN 3	172462	YELLOW	H3BXG-10112-Y4-ND	PIN 3	RX FROM PC

TOLERANCES	SEA-BIRD ELECTRONICS, INC				
FRACTIONAL	P/N	SCALE	DRAWN BY DG		
	801836	-	APPROVED BY		
DECIMAL	TITLE				
	SBE37V2-IM DATA I/O CABLE				
ANGULAR	DATE	DWG NO.	REV		
	10/28/08	33406	B		