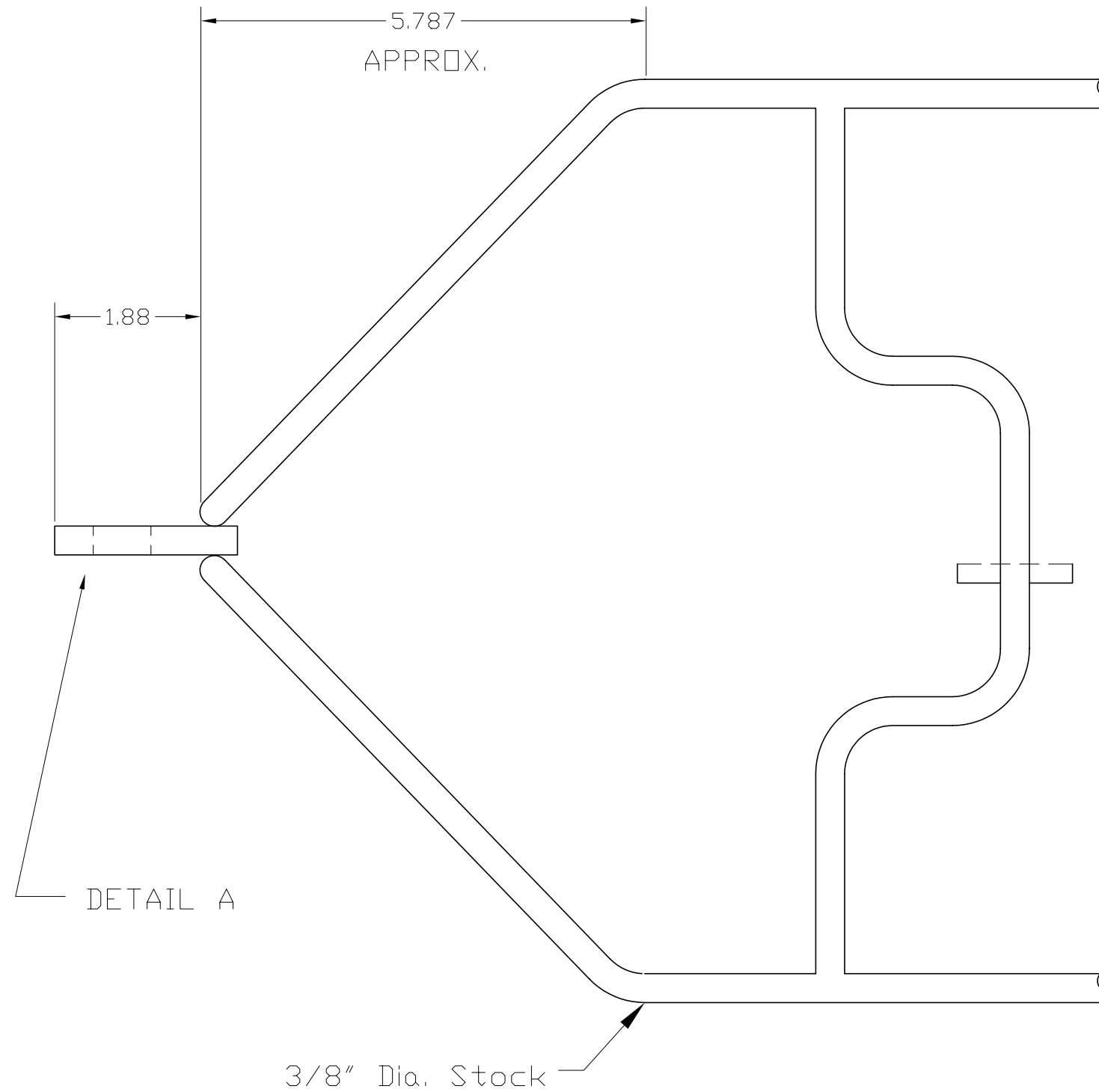
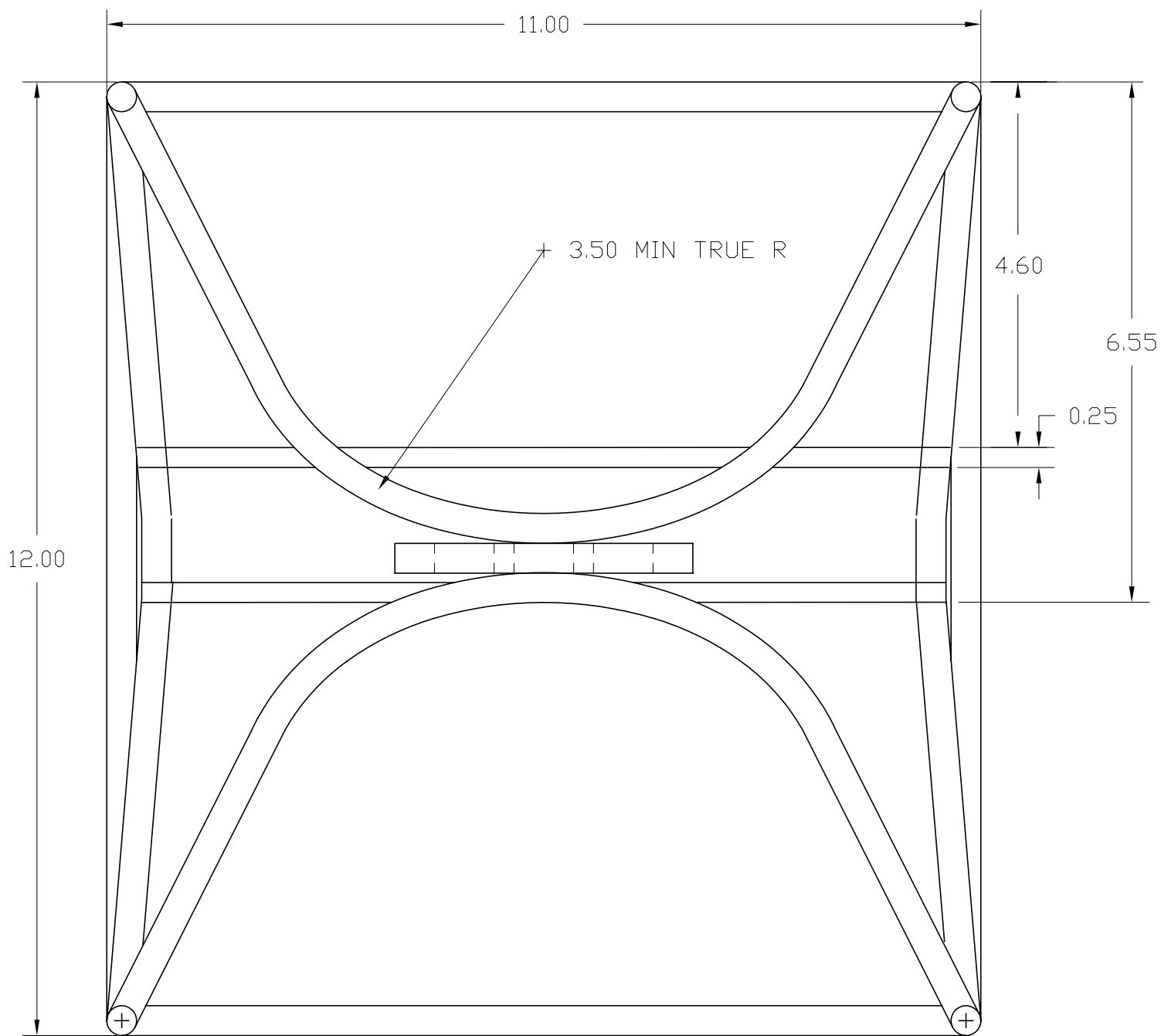
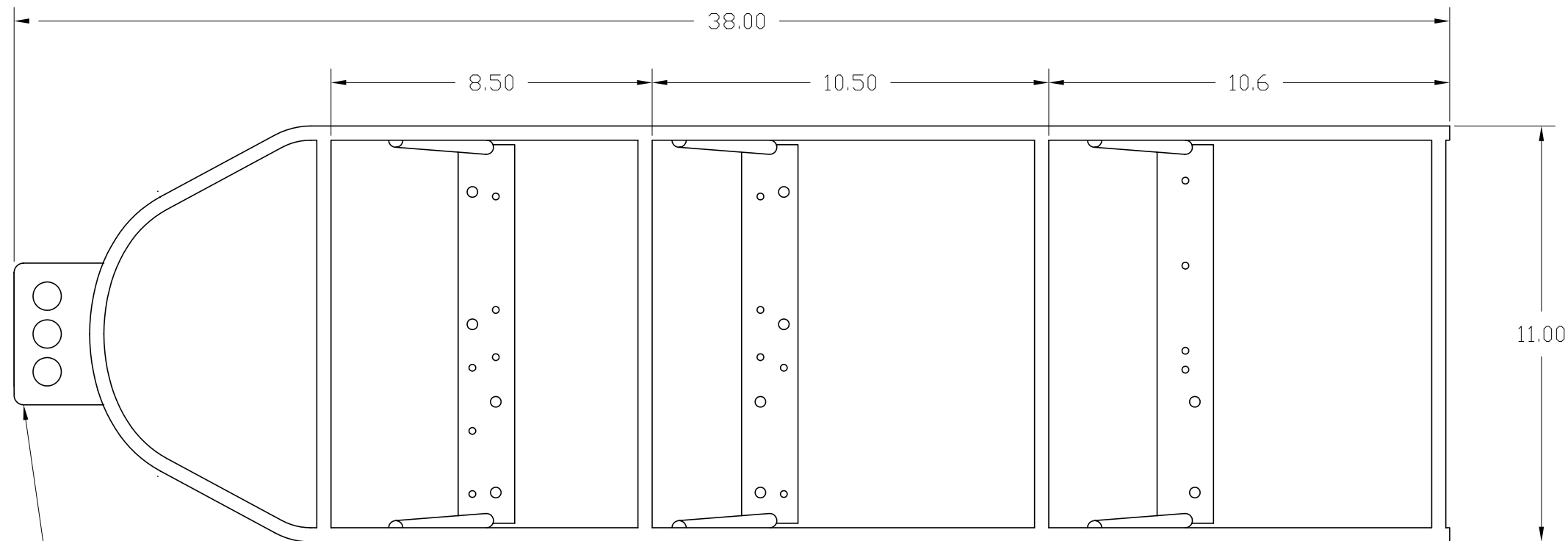
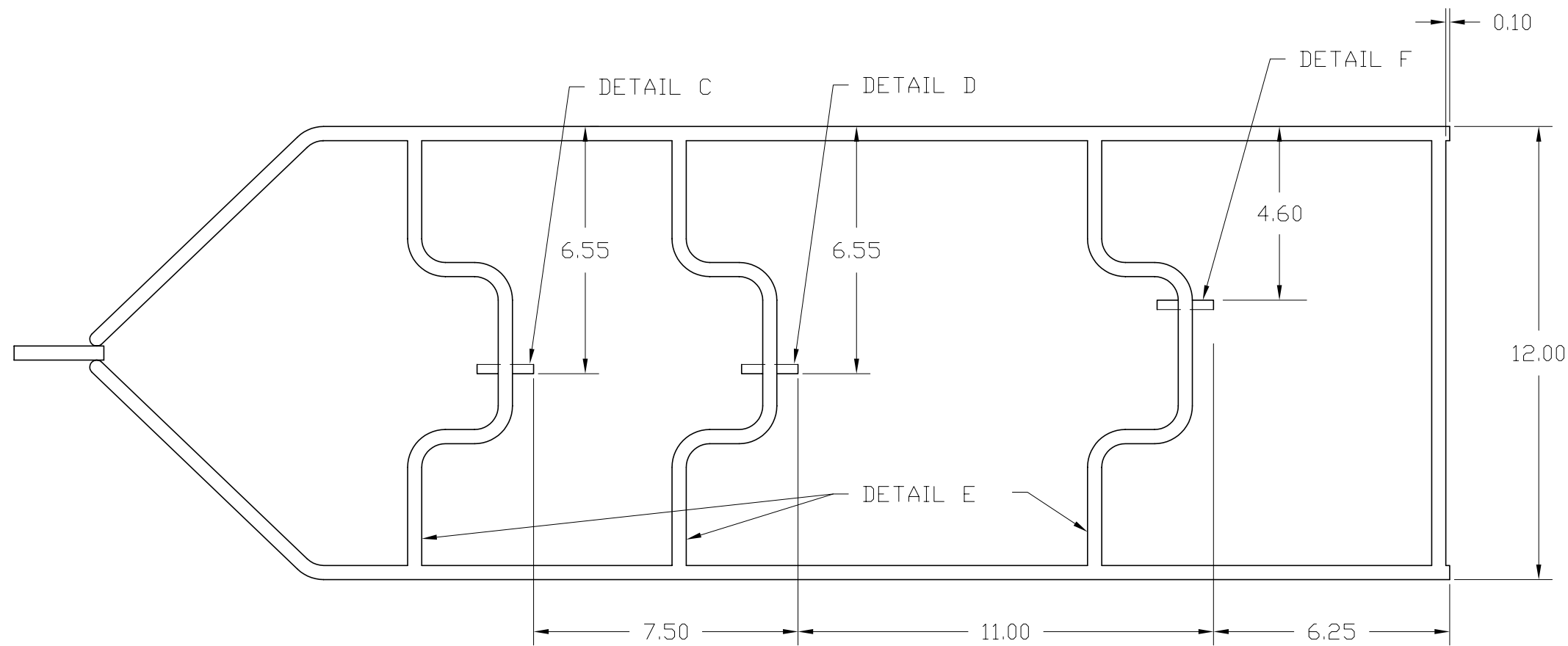


DATE	SYM	REVISION RECORD	AUTH.	DR.	CK.
7/05	A	ECN859: ADD/CORRECT DIMS	CB	CB	

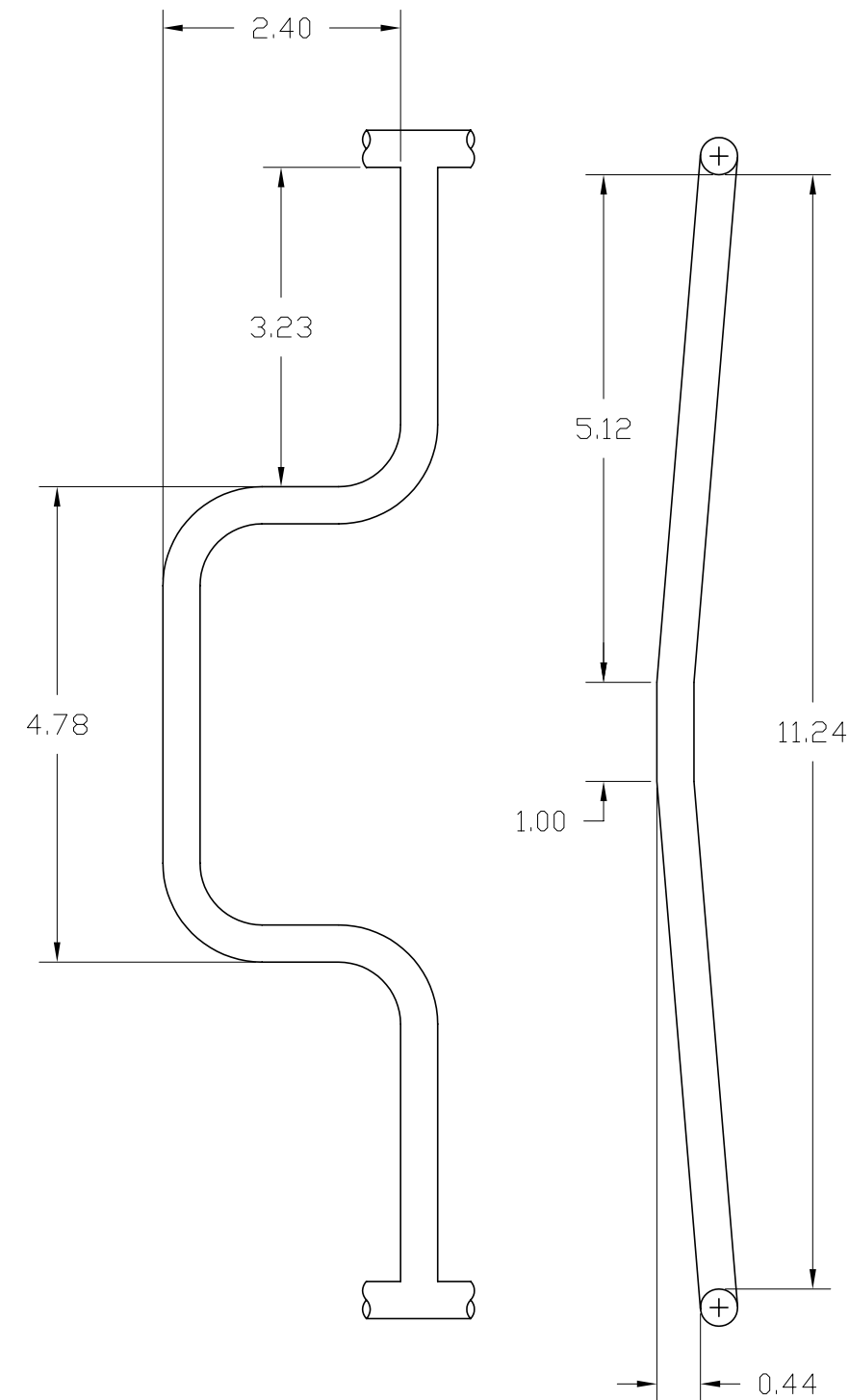


TOLERANCES	SEA-BIRD ELECTRONICS, INC				
FRACTIONAL	P/N	23892	SCALE	DRAWN BY	DW
			1:2	APPROVED BY	
DECIMAL	TITLE	SBE-25 SEALOGGER			
±0.05		CTD GUARD CAGE			
ANGULAR	DATE	DRAWING NUMBER	20893	REV	A
±2°	10.24.94	SHEET 1 OF 6			

DATE	SYM	REVISION RECORD	AUTH.	DR.	CK.
7/05	A	ECN859: ADD/CORRECT DIMS	CB	CB	



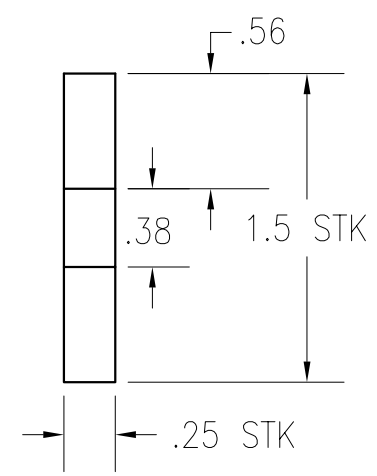
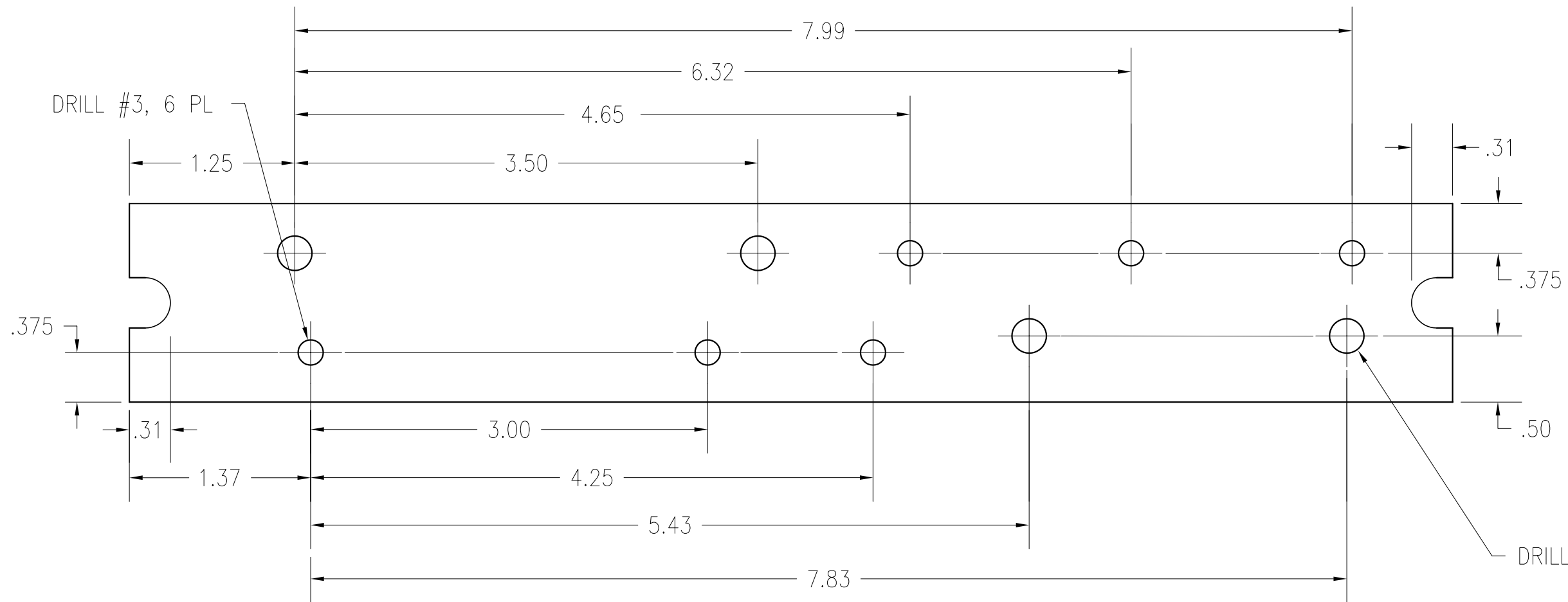
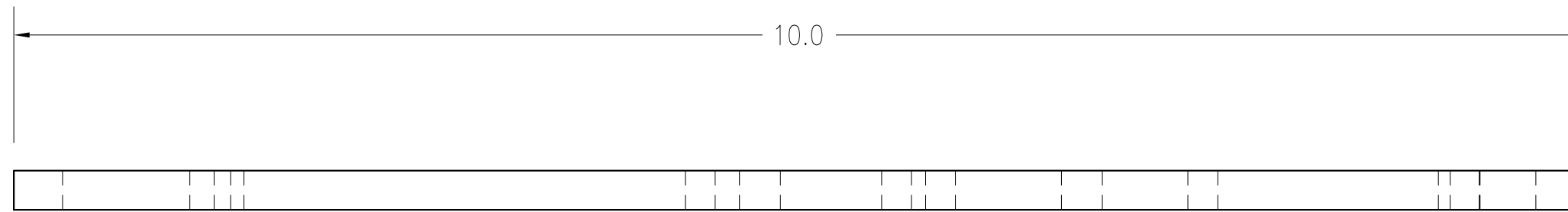
DETAIL E



TOLERANCES	SEA-BIRD ELECTRONICS, INC				
FRACTIONAL	P/N 23892	SCALE	DRAWN BY DW		
DECIMAL	TITLE	APPROVED BY			
±0.08	SBE-25-19 GUARD				
ANGULAR	DATE	DRAWING NUMBER	REV		
±2°	10.21.94	2 OF 6 20893	A		

DATE	SYM	REVISION RECORD	AUTH.	DR.	CK.
7/05	G	ECN859: ADD/CORRECT DIMS	CB	CB	

DETAIL C



DRILL #3, 6 PL

DRILL G, 4 PL

SAME AS DRAWING 20310H SHEET 3

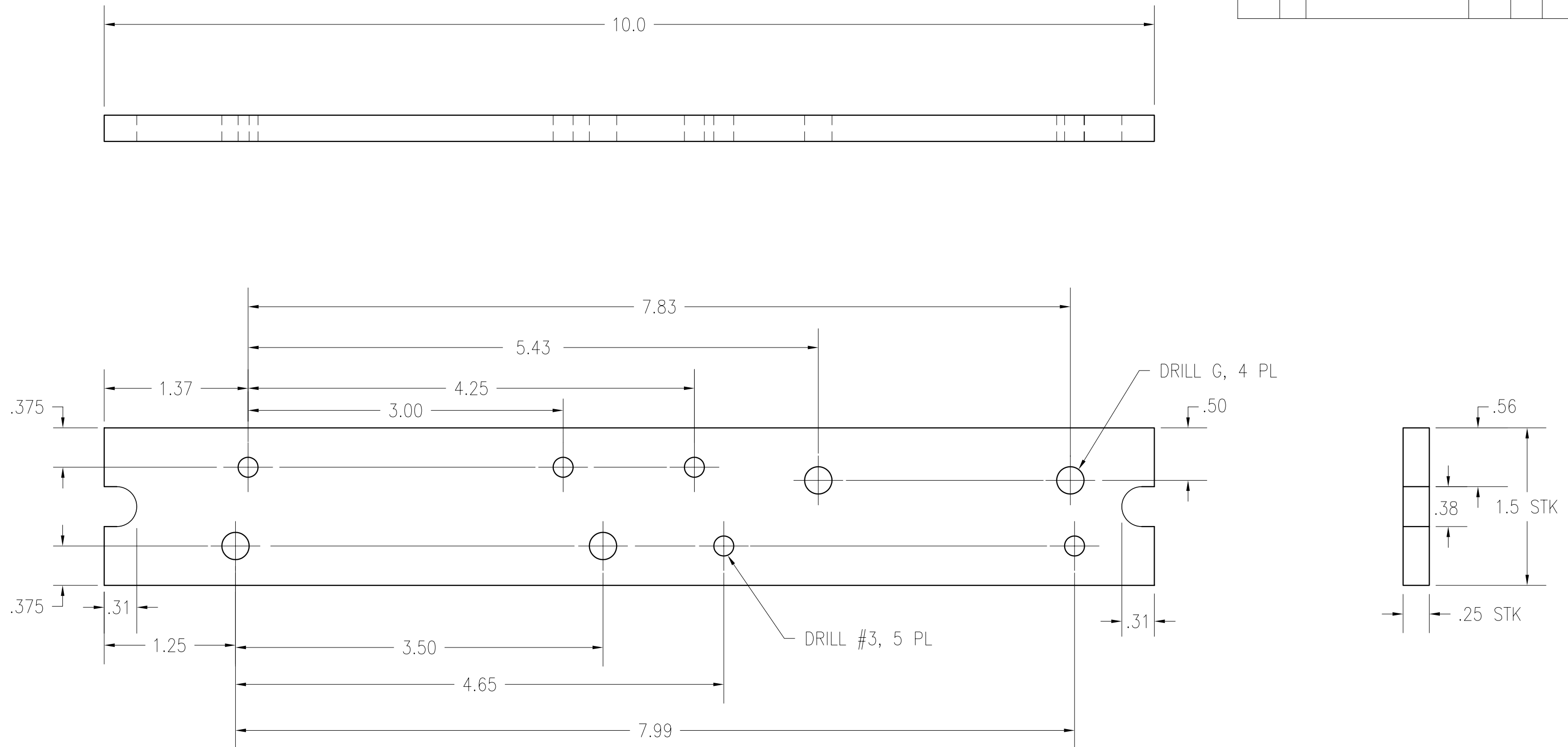
NOTES:

MATERIAL - 316 STAINLESS STEEL
 .25" X 1.5" STOCK

TOLERANCES	SEA-BIRD ELECTRONICS, INC				
FRACTIONAL	P/N 23751	SCALE 1:1	DRAWN BY DW		
DECIMAL .XXX=±.005 .XX=±.01	TITLE SBE19/25 GUARD CAGE TOP CROSS BAR				
ANGULAR	DATE 10.21.94	DRAWING NUMBER SHEET 3 OF 6	20893	REV A	

DATE	SYM	REVISION RECORD	AUTH.	DR.	CK.
7/05	A	ECN859: ADD CORRECT DIMS		CB	

DETAIL D



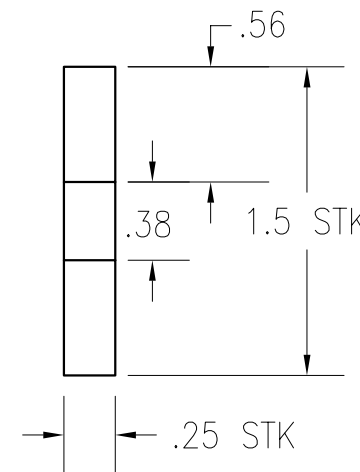
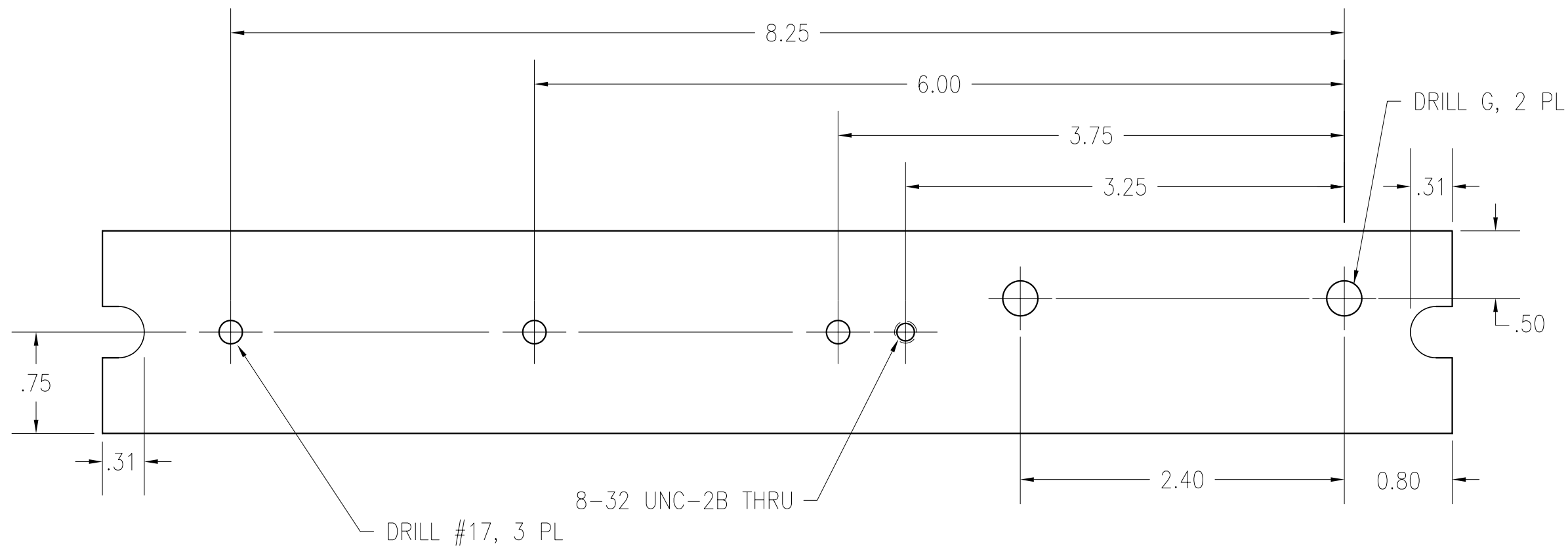
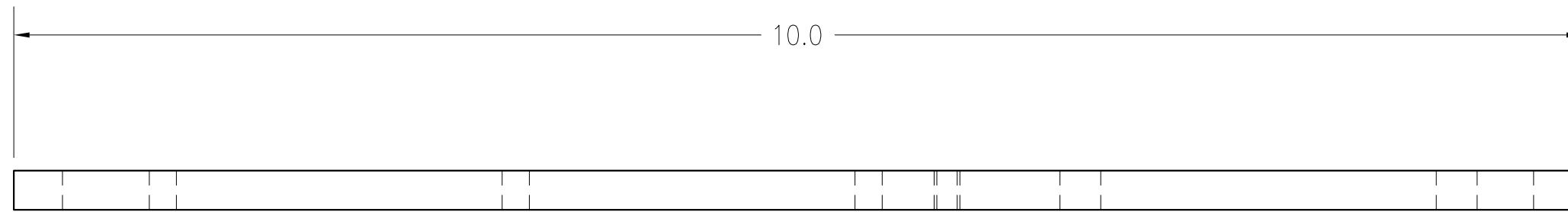
NOTES:
MATERIAL - 316 STAINLESS STEEL
.25" X 1.5" STOCK

SAME AS DRAWING 20310H SHEET 4

TOLERANCES	SEA-BIRD ELECTRONICS, INC				
FRACTIONAL	P/N	23752	SCALE	DRAWN BY	DW
			1:1	APPROVED BY	
DECIMAL .XXX=±.005 .XX=±.01	TITLE	SBE19/25 GUARD CAGE MIDDLE CROSS BAR			
ANGULAR	DATE	DRAWING NUMBER	20893	REV	A
	10.21.94	SHEET 4 OF 6			

DATE	SYM	REVISION RECORD	AUTH.	DR.	CK.
7/05	A	ECN859: ADD/CORRECT DIMS	CB	CB	

DETAIL F



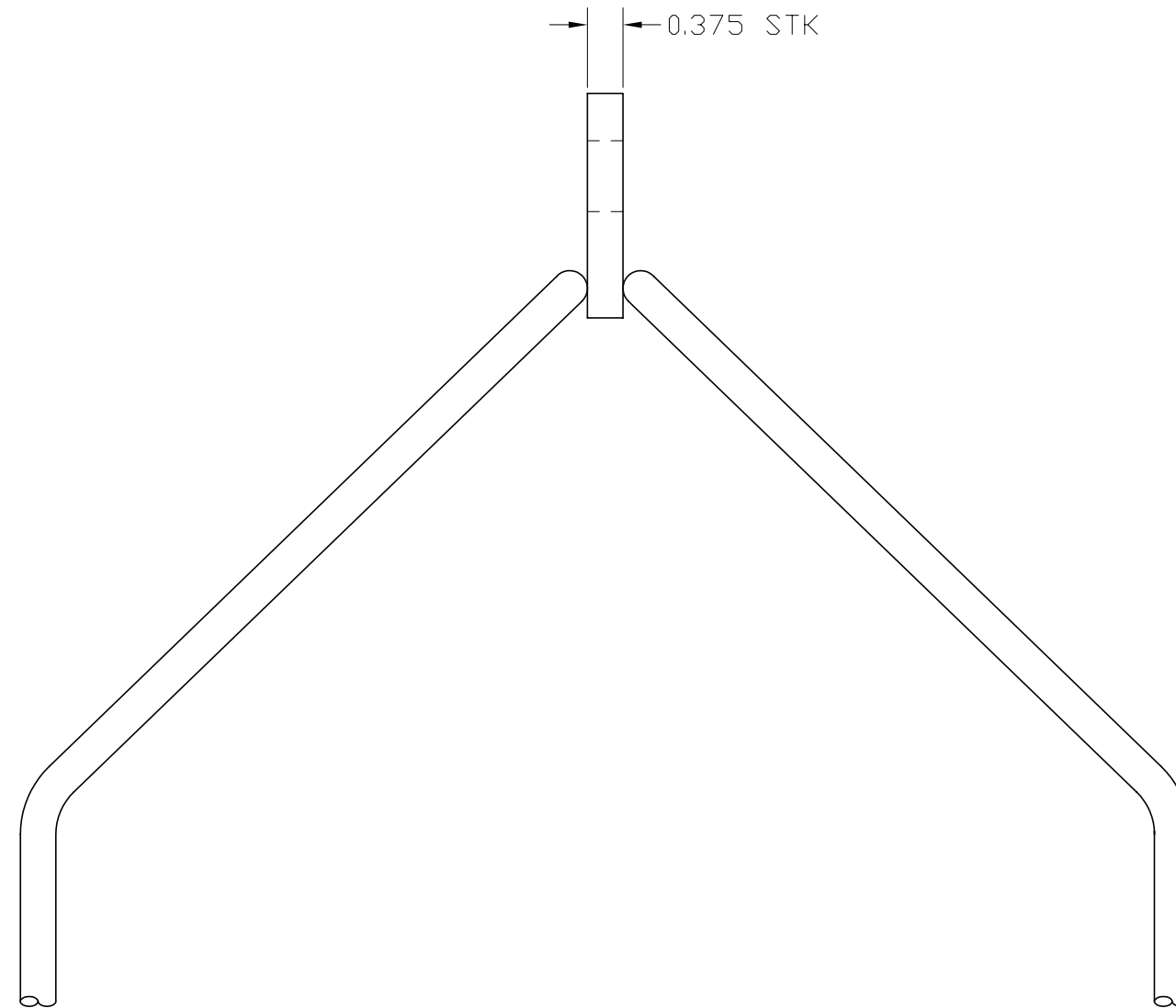
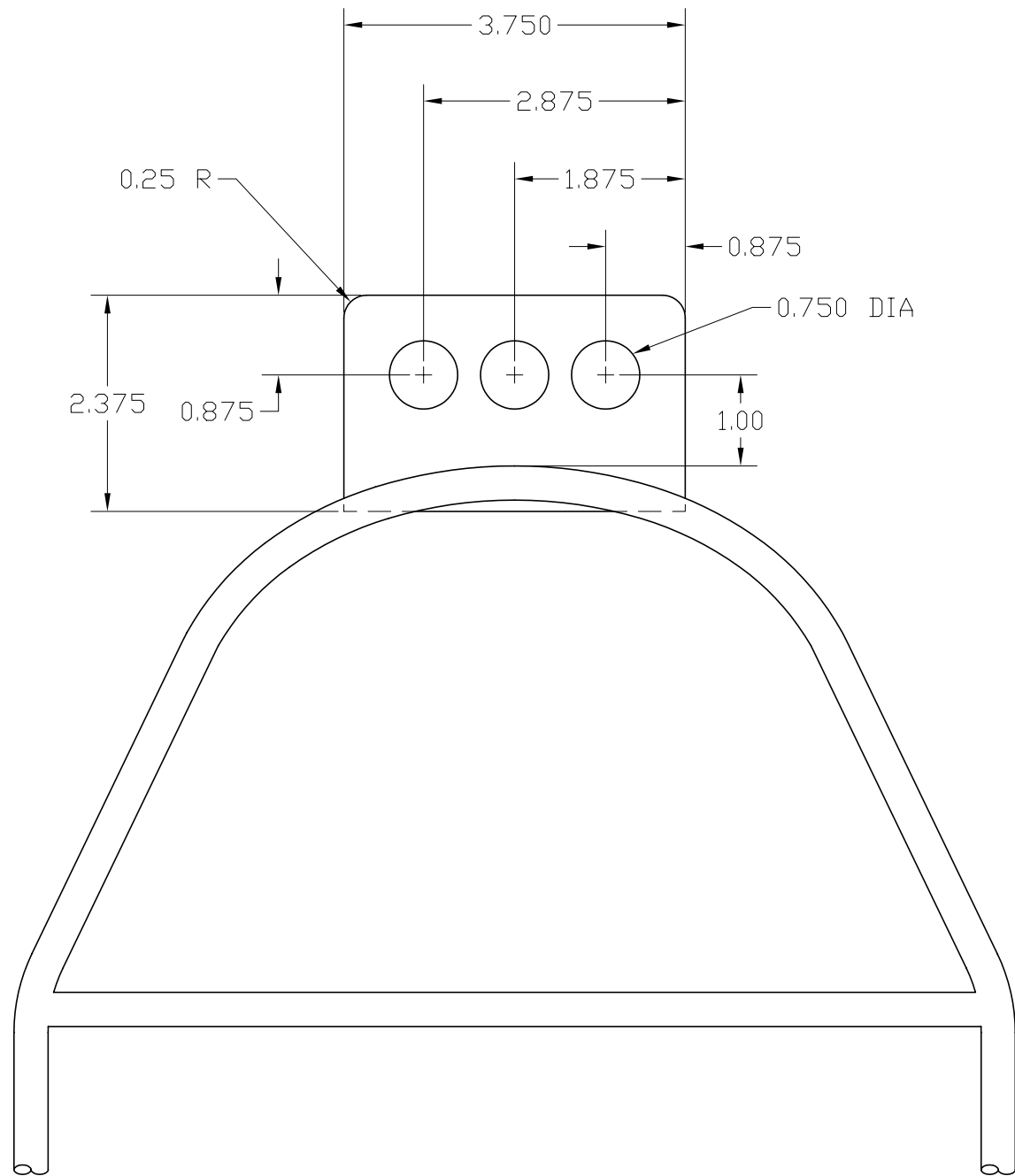
SAME AS DRAWING 20310H SHEET 5

NOTES:
 MATERIAL - 316 STAINLESS STEEL
 .25" X 1.5" STOCK

TOLERANCES	SEA-BIRD ELECTRONICS, INC				
FRACTIONAL	P/N 23753	SCALE 1:1	DRAWN BY DW		
DECIMAL .XXX=±.005 .XX=±.01	TITLE SBE-25 GUARD CAGE BOTTOM CROSS BAR				
ANGULAR	DATE 10.21.94	DRAWING NUMBER SHEET 5 OF 6	20893	REV A	

DATE	SYM	REVISION RECORD	AUTH.	DR.	CK.
7/05	A	ECN859: ADD CORRECT DIMS		CB	

DETAIL A



MATERIAL = 316 SS
 TOLERANCES = X.XX ±0.05
 X.XXX ±0.01

SAME AS DRAWING 20310H SHEET 6

TOLERANCES	SEA-BIRD ELECTRONICS, INC				
FRACTIONAL	P/N	23867	SCALE	1:1	DRAWN BY DW
DECIMAL	TITLE SBE19/25 GUARD CAGE				
.XXX=±.005	THREE HOLE LIST BAR				
.XX=±.01	DATE	10.21.94	DRAWING NUMBER	20893	REV A
ANGULAR	SHEET 6 OF 6				