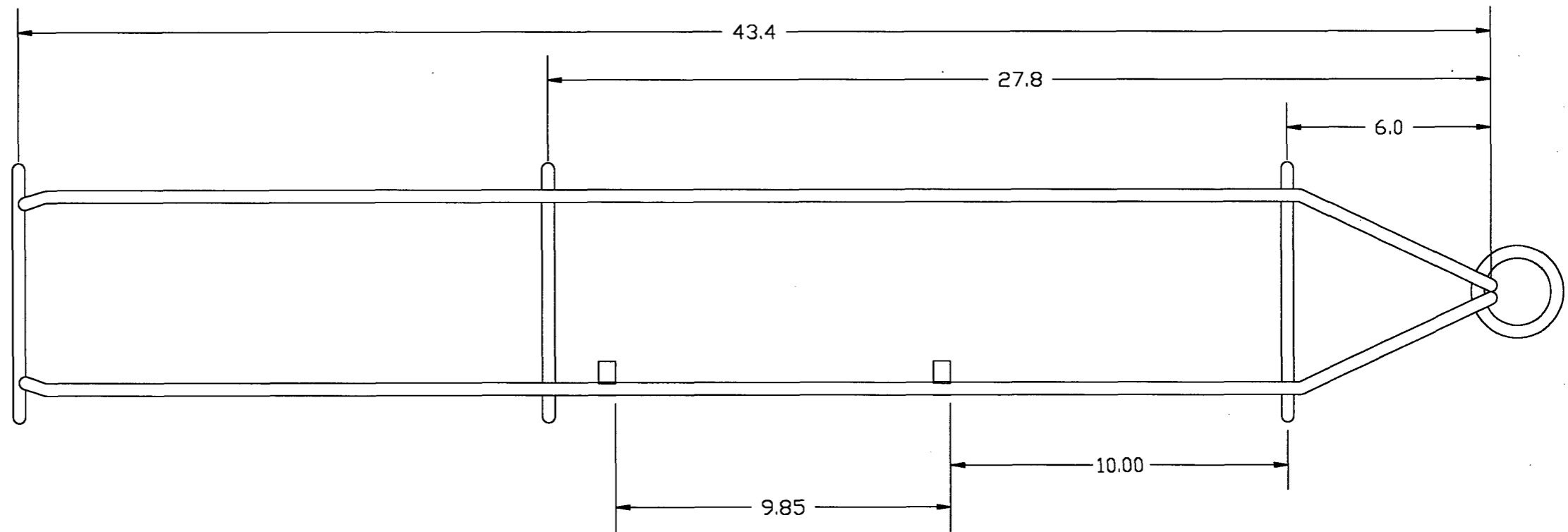
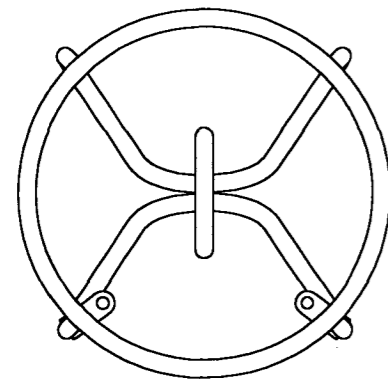
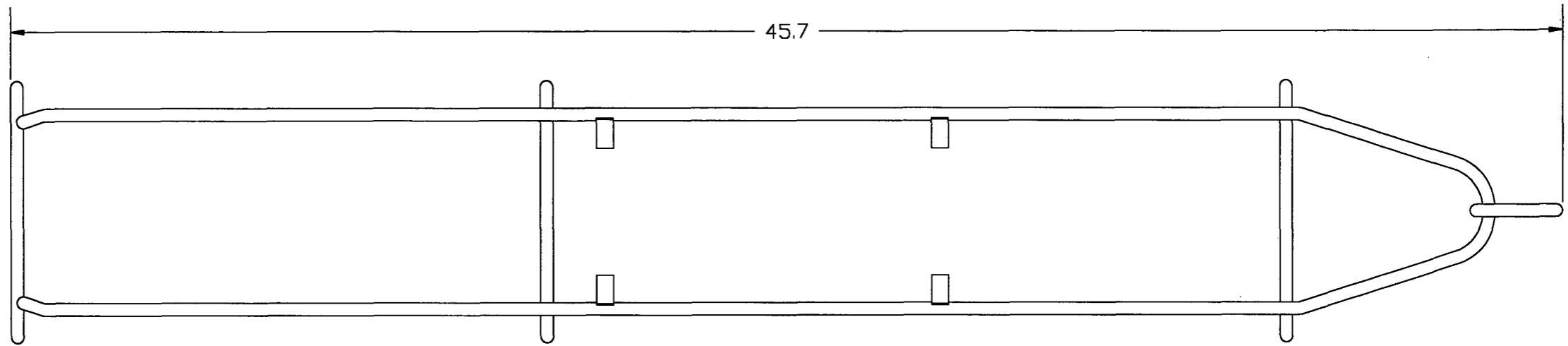
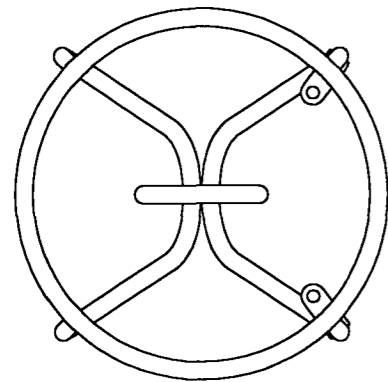


DATE	SYM	REVISION RECORD	AUTH.	DR.	CK.

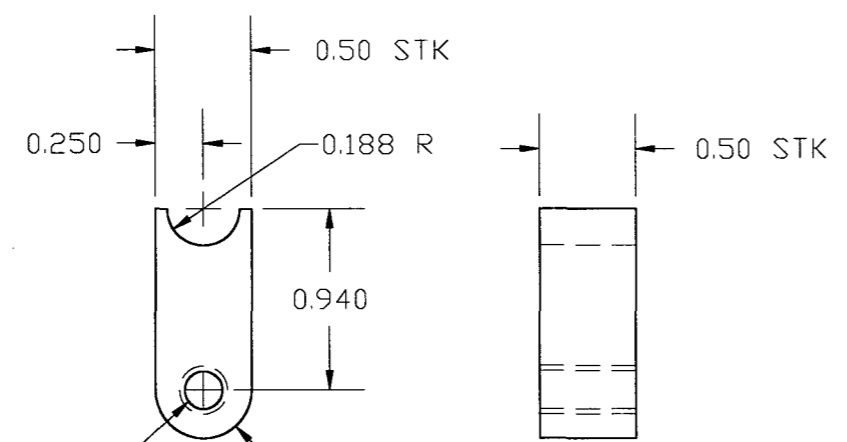
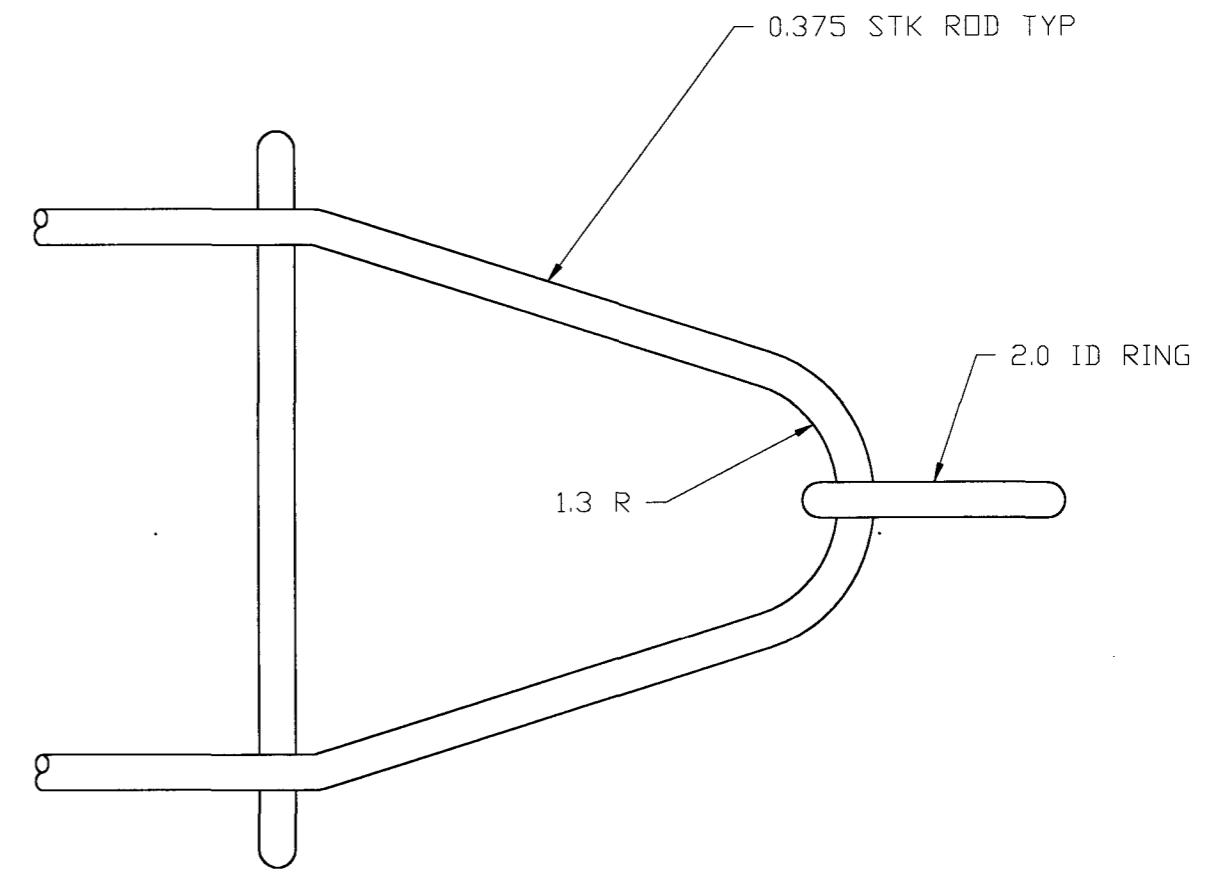
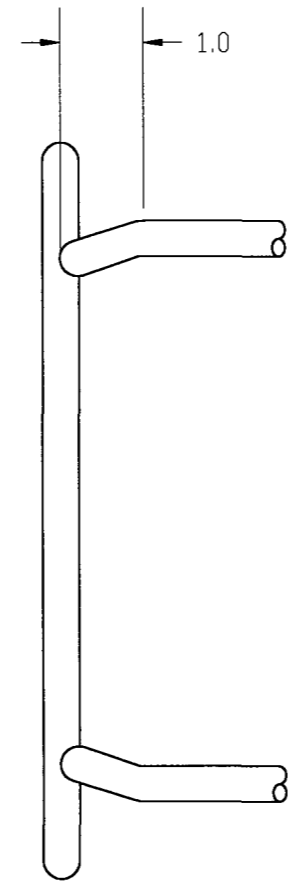
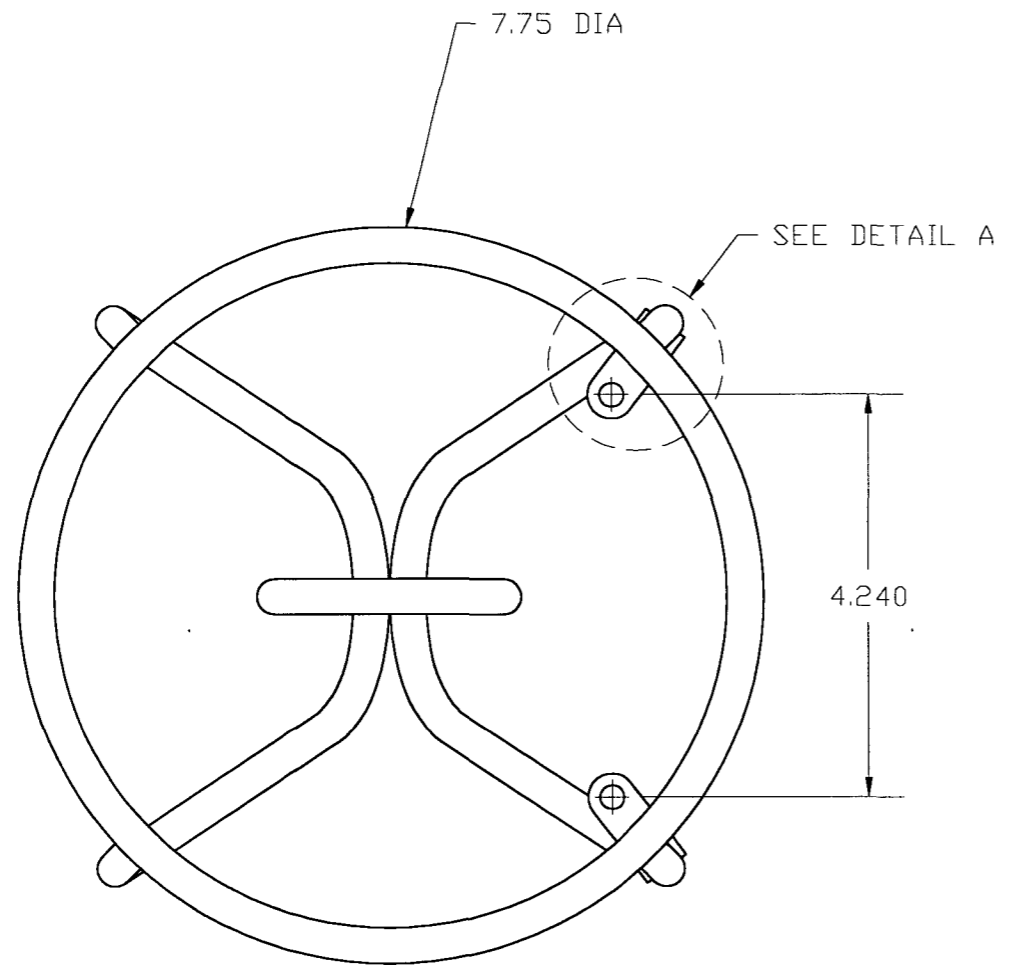


NOTES:

MATERIAL = 316 SS  
 TOLERANCES X.X = ±0.2  
               X.XX = ±0.05  
               X.XXX = ±0.01  
 WELD ALL SEAMS  
 BREAK SHARP EDGES UNLESS NOTED

TOLERANCES	SEA-BIRD ELECTRONICS, INC			
FRACTIONAL	P/N	SCALE	DRAWN BY DW	
	232012	1 : 4	APPROVED BY	
DECIMAL	TITLE			
	SEACAT+ ICE CAGE			
ANGULAR	DATE	DRAWING NUMBER	REV	
±2°	11-26-01	SH 1 DF 2 22149		

DATE	SYM	REVISION RECORD	AUTH.	DR.	CK.



1/4-20 UNC -2B THRU

DETAIL A

NOTES:

MATERIAL = 316 SS  
 TOLERANCES X.X = ±0.2  
 X.XX = ±0.05  
 X.XXX = ±0.01  
 WELD ALL SEAMS  
 BREAK SHARP EDGES UNLESS NOTED

TOLERANCES	SEA-BIRD ELECTRONICS, INC			
FRACTIONAL	P/N	SCALE	DRAWN BY DW	
	232012	1 : 2	APPROVED BY	
DECIMAL	TITLE			
	SEACAT+ ICE CAGE			
ANGULAR	DATE	DRAWING NUMBER	REV	
±2°	11-26-01	SH OF 2 22149		