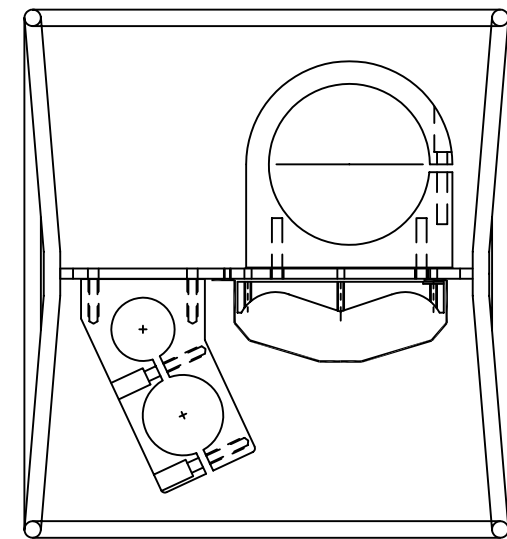
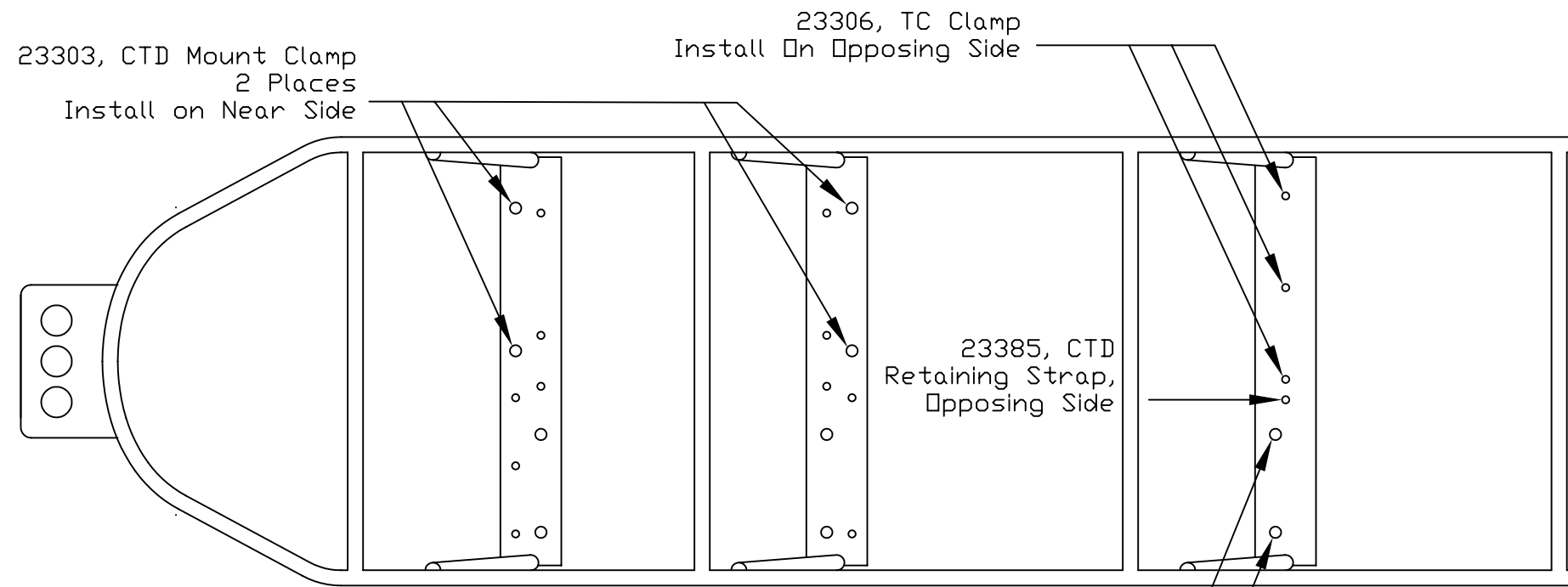
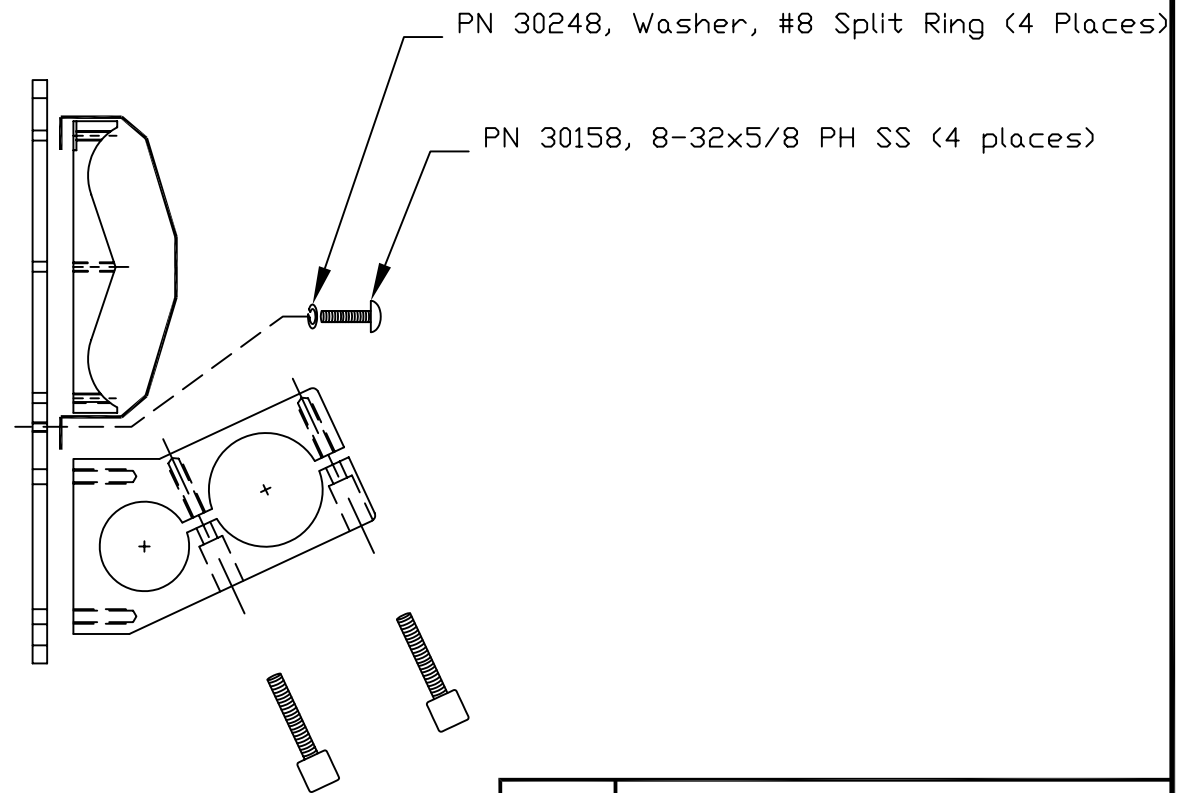
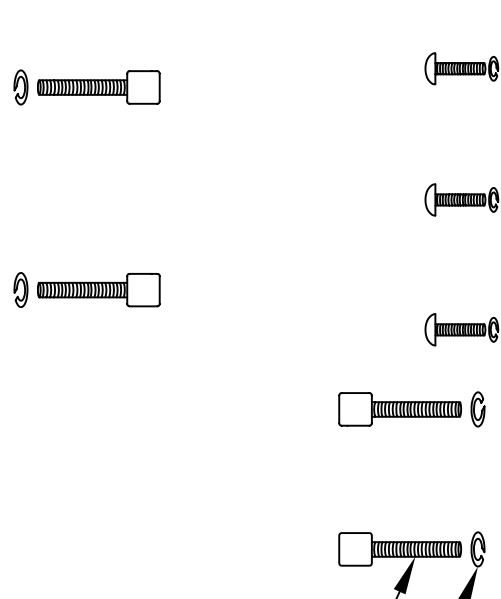
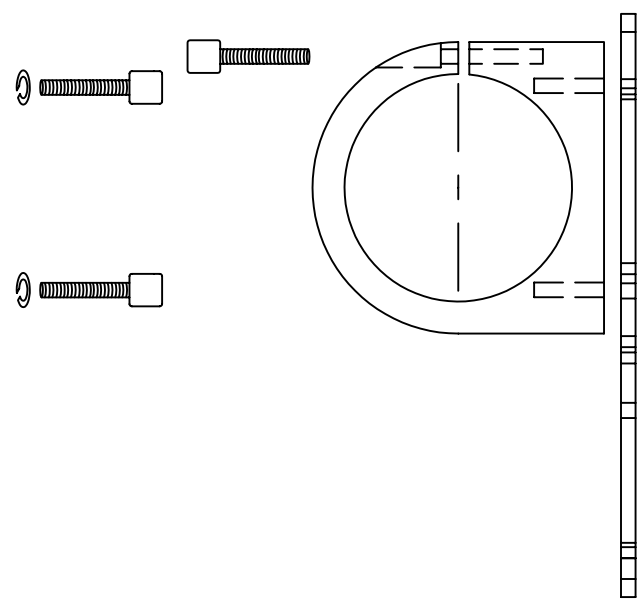
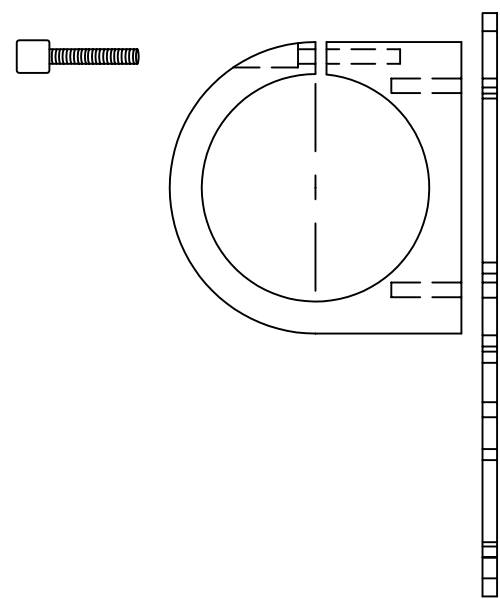


DATE	SYM	REVISION RECORD	AUTH.	DR.	CK.



PN 23643, Pump/Pressure Mount
Install on Opposing Side



PN 30377, Cap Screw, 1/4-20 x 1-1/4 Socket SS (10 Places)

PN 30254, Washer, 1/4" Split Ring (6 Places)

TOLERANCES	SEA-BIRD ELECTRONICS, INC			
FRACTIONAL	P/N 50308	SCALE 1:4	DRAWN BY MJ	APPROVED BY
DECIMAL ±0.08	TITLE SBE-25 Sealogger Cage Standard Mount Installation			
ANGULAR ±2°	DATE 04.29.02	DRAWING NUMBER 41192	REV	