

FIGURE SIZES:

These boxes are the standard widths used for figures. All of the figure must fit within the borders – axis titles, axis numbers, symbol definitions, etc. – but not the figure legend.

Submitted figures must fit into one of these standard widths.

FONT SIZES:

minimum 7 points

preferred 9 - 11 points

maximum 12 points

TIPS:

- Lines should be black, not grey, a minimum of 1 point thickness to insure clarity in the electronic version.
- Keep shading to a minimum. Use one mid-tone grey with black and white.
- Keep hatching simple. Use solid black lines, diagonals, and simple hatching, all bordered in black.
- Open symbols (\square , \circ) read more easily than filled ones (\blacksquare , \bullet), especially when clustered. Grey-filled symbols frequently reproduce poorly, especially in the electronic version.
- Minimize space between panels.
- Do not use 3-D effects such as shadows and fades. Do not use 3-D bar charts when 2-D is sufficient.

The text in the main body of the article is printed here in 10 point font. The figure legends are printed below the figures in 9 point font.

maximum print height is 9.125 inches (23.2 cm)

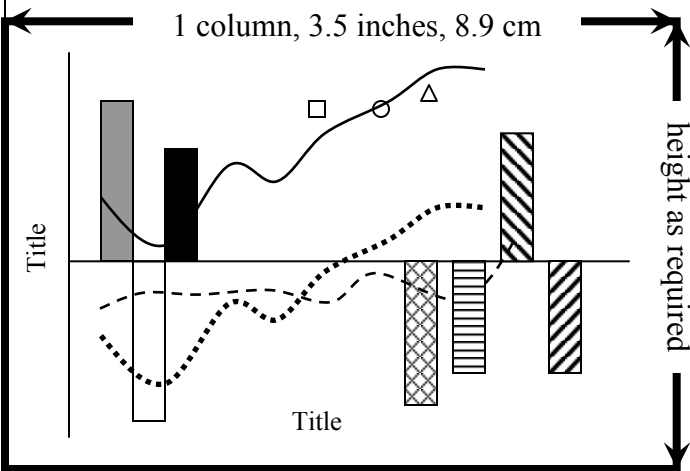


Fig.1. This figure is an example of easily readable symbols, line types, shading, and hatching.

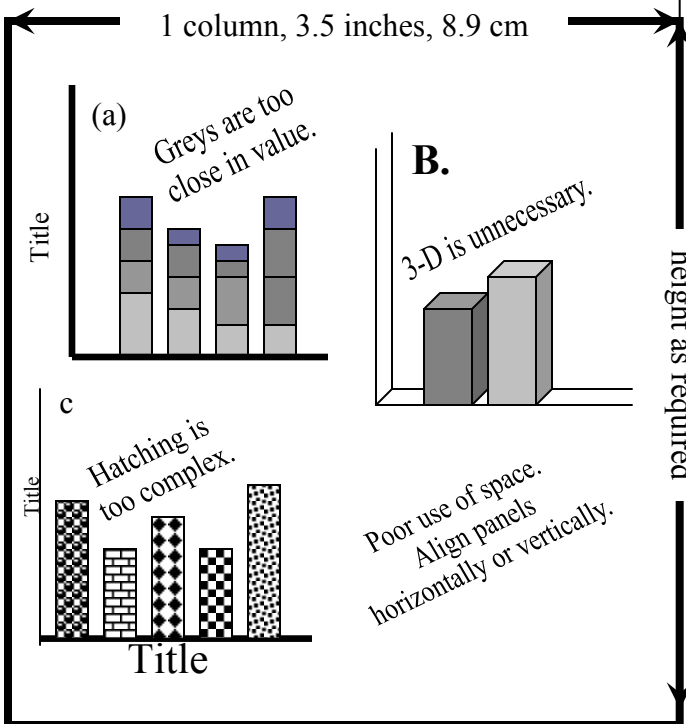


Fig. 2. This is an example of a poorly designed figure. The line weights, panel labels, and title sizes are all inconsistent. The panels are not aligned. (a) The grey shadings are so close in value that they are not easily distinguished. (b) The use of a 3-D bar chart is unnecessary. (c) The hatching is unnecessarily complex and will not reproduce well, especially in the electronic version. The titles are too close to the axes.

L&O – GUIDELINES FOR FIGURES

Figures

General:

- Print at high-resolution (600 dpi minimum).
- Leave 1 inch (2.5 cm) of white space around all sides of the figure.
- Make figures as simple as possible – do not use grid lines or boxes around symbol definitions.
- Photographs must be high quality prints on photo paper with good contrast. For color figures, refer to the guidelines at <http://www.aslo.org/lo/instructions/colorfigures.html>
- Maps must include latitude, longitude, a direction arrow, a line around the border, and a scale bar.
- For figures with multiple panels, print all panels together on the same page. Repeat axes titles only if they are different.
- Symbols used in the figure (e.g., □, ◇, ○, etc.) must be defined on the figure.
- Number figures in the order they are cited in the text. If panels of a figure are labeled (A, B, ...) use the same case when referring to these panels in the text (Fig. 5A, 5B, ..., not Fig. 5a, 5b,...).
- Put scale bars on the figure, not in the figure legend.
- Dates: The standard date formats are dd Mmm yyyy or dd Mmm yy (e.g., 23 Sep 2004, 06 Jul 04).
Month names are 3 letters, no periods. Do not put dashes between day, month, and year. Do not use “Julian days”; instead use “day of the year.”
- Time: The standard time format is hh:mm (eg., 12:00 h, 23:15 h).

Size and layout: (see over)

- Submit figures at the size that they will appear in print.
- Line thickness, symbols, and fonts must be consistent across all figures.

Font and font size: (see over)

- Use the Times New Roman font for all text and numerals. If mathematical or Greek symbols are not available in Times New Roman, use the Symbol font.
- Font sizes can range from 7 – 12 points in the final reduced size.

Figure legends

- Each figure legend must be only one paragraph.
- Explain all panels. (A) shows ... , (B) shows
- Special symbols (e.g., □, ◇, ○, etc.) are **not allowed** in the legend.